

## Excellent Integrated System Limited

Stocking Distributor

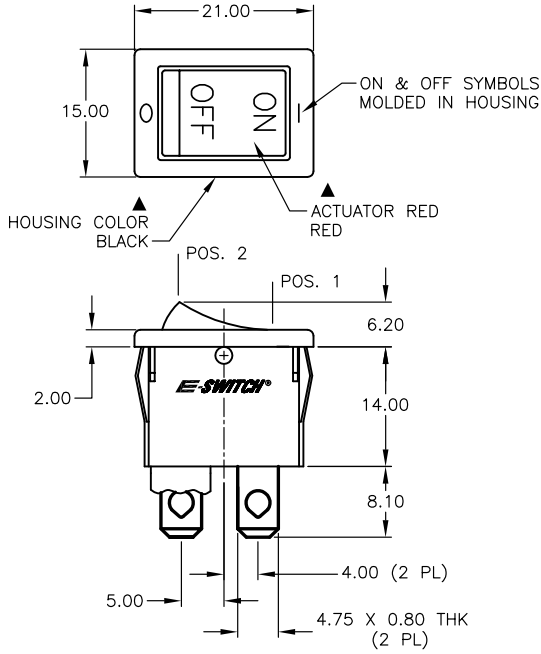
Click to view price, real time Inventory, Delivery & Lifecycle Information:

[E-Switch](#)  
[R1973ABLKREDIF0](#)

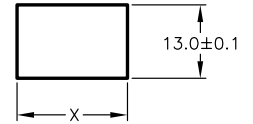
For any questions, you can email us directly:

[sales@integrated-circuit.com](mailto:sales@integrated-circuit.com)

SHEET OF



PANEL THICKNESS	X
0.75-1.25	19.20
1.25-2.0	19.40
2.0-3.0	19.60



PANEL CUTOUT  
NOT TO SCALE



CIRCUIT: SPST

SWITCH FUNCTION	
POS. 1	POS. 2
ON	OFF
1-1a	OPEN

CONTACT CONFIGURATION

NOTES:

1. ALL DIMENSIONS IN MM
2. GENERAL TOLERANCE: X.X=±0.4  
X.XX=±0.25
3. RATING: 6A @250VAC; 9A @125VAC (UL/CSA)
4. CONTACT RESISTANCE: 20 MILLOHMS TYP INITIAL.
5. INSULATION RESISTANCE: 1000 MEGAOHMS
6. DIELECTRIC STRENGTHS: 1500V RMS MIN. @SEA LEVEL.  
3000V RMS @SEA LEVEL.
7. MECHANICAL LIFE: 30,000 CYCLES.
8. ELECTRICAL LIFE: 10,000 CYCLES.
- ▲ 9. NO LAMP
10. ▲ DENOTES CRITICAL PARAMETER.

**E-SWITCH®**

TITLE				
R1973ABLKREDIF0				
SCALE	DATE	DR	DWG	REV
1.5:1	7/21/04	AR	M400082	A

A	14178	RELEASED FOR PRODUCTION	7/21/04	AR
REV.	ECN No.	DESCRIPTION	DATE	CHKD
THE INFORMATION CONTAINED IN THIS DOCUMENT IS PROPRIETARY TO E-SWITCH AND IS NOT TO BE COPIED OR TRANSFERRED				