

## Excellent Integrated System Limited

Stocking Distributor

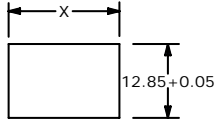
Click to view price, real time Inventory, Delivery & Lifecycle Information:

[E-Switch](#)  
[R1973BBLKBLKDF0](#)

For any questions, you can email us directly:

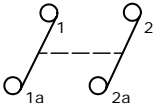
[sales@integrated-circuit.com](mailto:sales@integrated-circuit.com)

SHEET 1 OF 1



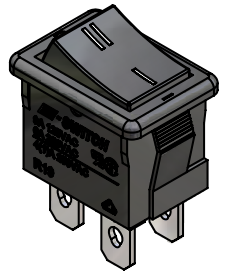
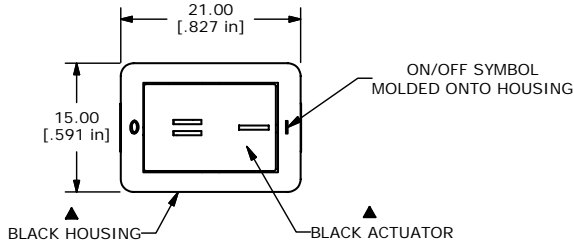
RECOMMENDED PANEL MOUNTING

PANEL THICKNESS	X
0.75-1.25	19.2-19.3
1.25-2.00	19.3-19.4
2.00-3.00	19.5-19.6

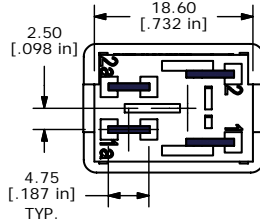
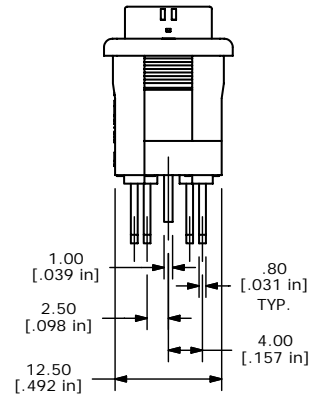
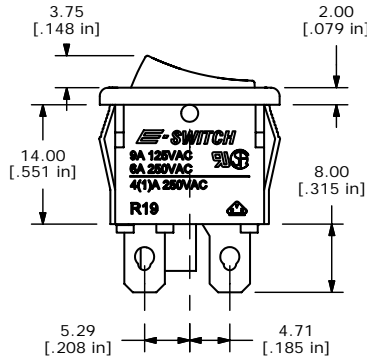


CIRCUIT: DPST

- NOTES:
1. ALL DIMENSIONS IN MM [INCH]
  2. GENERAL TOLERANCE: X.X=±0.4  
X.XX=±0.25
  3. RATING:  
6A @250VAC; 9A @125VAC (UL, CSA, VDE)
  - ▲ 4. LAMP VOLTAGE: 250VAC (NEON BULB)
  5. MATERIAL:  
CONTACT SURFACE: COIN SILVER, SILVER PLATE  
TERMINAL: COPPER ALLOY W/SILVER PLATE.
  6. CONTACT RESISTANCE: 20 MILLI-OHMS TYP. INITIAL
  7. INSULATION RESISTANCE: 1000 MEGA-OHMS
  8. DIELECTRIC STRENGTH:  
> 1500V RMS min. @SEA LEVEL
  9. MECHANICAL LIFE: 30,000 CYCLES.
  10. ELECTRICAL LIFE: 10,000 CYCLES
  11. ▲ DENOTES CRITICAL PARAMETER.
  12. 2002/95/EC (ROHS) COMPLIANT



ISOMETRIC



TITLE R1973BBLKBLKDF0

A	15914	RELEASE FOR PRODUCTION	3/30/06	PH
REV	PCR NO	DESCRIPTION	DATE	BY

THE INFORMATION CONTAINED IN THIS DOCUMENT IS PROPRIETARY TO E-SWITCH AND IS NOT TO BE COPIED OR TRANSFERRED

SCALE	DATE	DR	DWG	REV
1.5:1	3/30/2006	PH	M400091	A