

## Excellent Integrated System Limited

Stocking Distributor

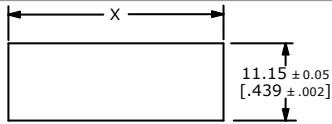
Click to view price, real time Inventory, Delivery & Lifecycle Information:

[E-Switch](#)  
[R4ABLKBLKAF0](#)

For any questions, you can email us directly:

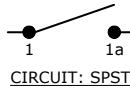
[sales@integrated-circuit.com](mailto:sales@integrated-circuit.com)

SHEET 1 OF 1

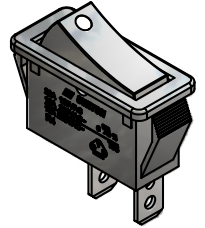
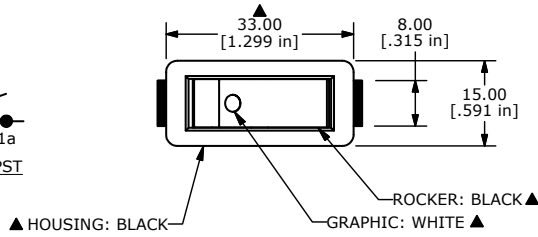


RECOMMENDED PANEL MOUNTING

| PANEL THICKNESS | X± 0.05 |
|-----------------|---------|
| 0.75-1.25       | 29.65   |
| 1.25-2.00       | 30.15   |
| 2.00-3.00       | 30.50   |

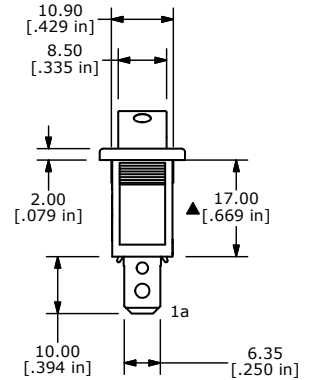
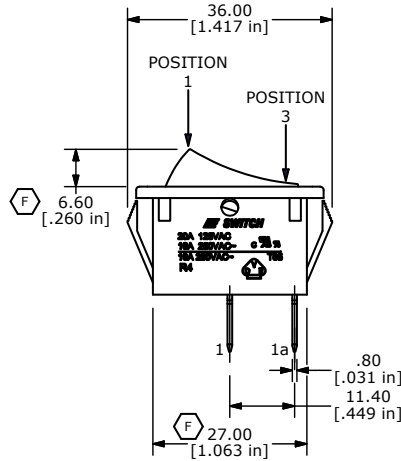


CIRCUIT: SPST



| SWITCH FUNCTION |        | F |
|-----------------|--------|---|
| POS. 1          | POS. 3 |   |
|                 |        |   |
| ON              | OFF    |   |
| 1-1a            | OPEN   |   |

- NOTES:
- ALL DIMENSIONS IN MM [INCH]
  - GENERAL TOLERANCE: X.X=± 0.4  
X.XX=± 0.25
  - TERM. NOS. FOR REF. ONLY
  - RATING: 20A 125VAC, 16A 250VAC UL APPROVED  
16A 250VAC VDE APPROVED
  - ELECTRICAL LIFE: OVER 10,000 CYCLES
  - MECHANICAL LIFE: OVER 30,000 CYCLES
  - CONTACT RESISTANCE: <20 mΩ(INITIAL)
  - DIELECTRIC STRENGTH: >1500V 1 min
  - INSULATION RESISTANCE: >1,000 mΩ @ 500V DC
  - OPERATING TEMPERATURE: TERMINAL SIDE -20°C to 85°C  
ROCKER SIDE -20°C to 55°C
  - ▲ DENOTES CRITICAL PARAMETER
  - 2002/95/EC (ROHS) COMPLIANT



|   |        |                                 |          |        |
|---|--------|---------------------------------|----------|--------|
|   |        |                                 |          |        |
| F   | 19933  | CORRECT DIMS AND FUNCTION TABLE | 05/10/11 | BMA    |
| E   | 19805  | UPDATE DRAWING                  | 04/04/11 | BMA    |
| REV   | PCR NO | DESCRIPTION                     | DATE     | BY     |
| <small>THE INFORMATION CONTAINED IN THIS DOCUMENT IS PROPRIETARY TO E-SWITCH AND IS NOT TO BE COPIED OR TRANSFERRED</small> |        |                                 |          |        |
| TITLE   |        | R4ABLKBLKAFO                    |          |        |
| SCALE   | 1:1    | DATE                            | 3/9/2006 | DR GLG |
| DWG   |        | M040126                         |          | REV F  |