

Excellent Integrated System Limited

Stocking Distributor

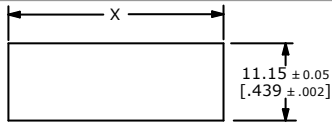
Click to view price, real time Inventory, Delivery & Lifecycle Information:

[E-Switch](#)
[R4IBLKBLKEF0](#)

For any questions, you can email us directly:

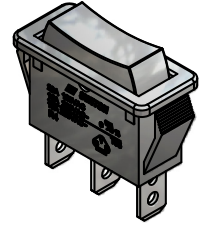
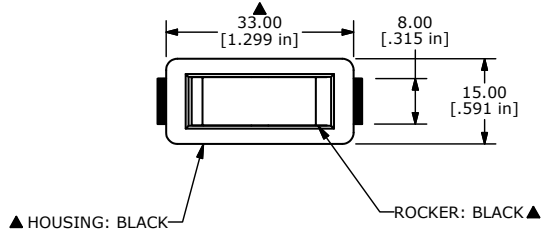
sales@integrated-circuit.com

SHEET 1 OF 1



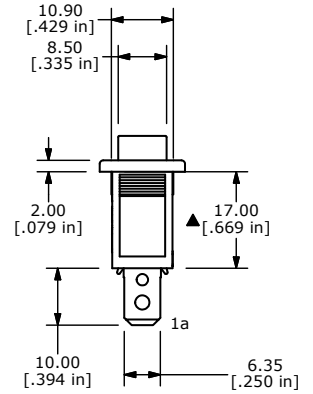
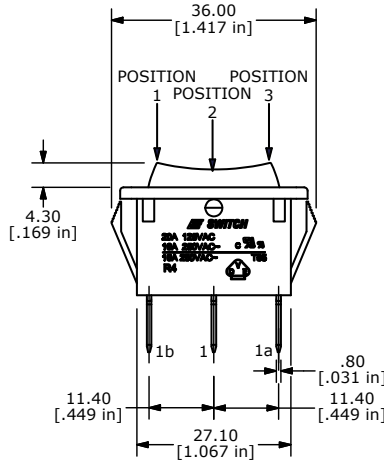
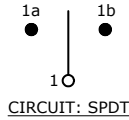
RECOMMENDED PANEL MOUNTING

PANEL THICKNESS	X± 0.05
0.75-1.25	29.65
1.25-2.00	30.15
2.00-3.00	30.50



SWITCH FUNCTION		
POS. 1	POS. 2	POS. 3
(ON)	OFF	ON
1-1a	OPEN	1-1b

(ON)=MOMENTARY



- NOTES:
- ALL DIMENSIONS IN MM [INCH]
 - GENERAL TOLERANCE: X.X=± 0.4
X.XX=± 0.25
 - TERM. NOS. FOR REF. ONLY
 - RATING: 10A 250VAC, 15A 125VAC UL APPROVED
10A 250VAC VDE APPROVED
 - ELECTRICAL LIFE: OVER 10,000 CYCLES
 - MECHANICAL LIFE: OVER 30,000 CYCLES
 - CONTACT RESISTANCE: <20 mΩ(INITIAL)
 - DIELECTRIC STRENGTH: >1500V 1 min
 - INSULATION RESISTANCE: >1,000 mΩ @ 500V DC
 - OPERATING TEMPERATURE: TERMINAL SIDE -20°C to 85°C
ROCKER SIDE -20°C to 55°C
 - ▲ DENOTES CRITICAL PARAMETER
 - 2002/95/EC (ROHS) COMPLIANT

F	20101	CORRECT RATING	08/17/11	BMA
E	19890	UPDATE DRAWING	04/28/11	BMA
D	15996	UPDATE NOTES AND DIMS	05/02/06	CT
REV	PCR NO	DESCRIPTION	DATE	BY

THE INFORMATION CONTAINED IN THIS DOCUMENT IS PROPRIETARY TO E-SWITCH AND IS NOT TO BE COPIED OR TRANSFERRED



TITLE R4IBLKBLKEFO

SCALE 1:1

DATE 3/31/1999

DR MM

DWG M040112

REV F