

## Excellent Integrated System Limited

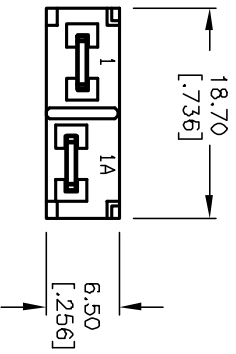
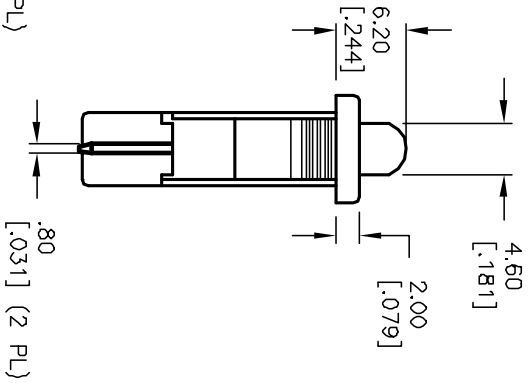
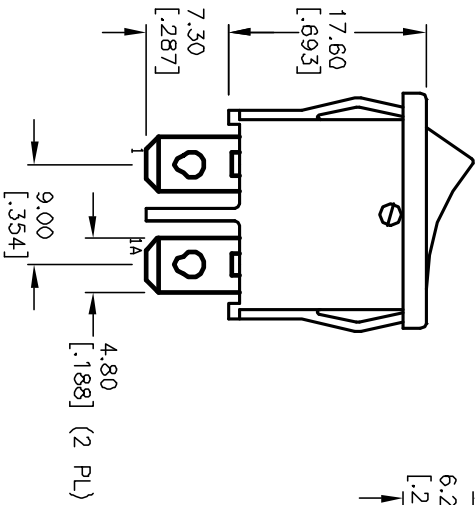
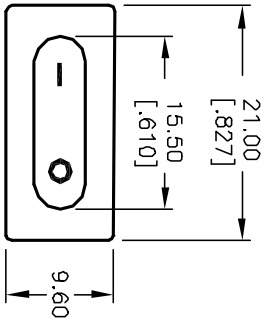
Stocking Distributor

Click to view price, real time Inventory, Delivery & Lifecycle Information:

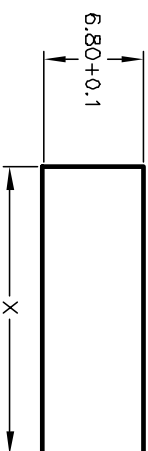
[E-Switch](#)  
[R6BBLKREDF](#)

For any questions, you can email us directly:

[sales@integrated-circuit.com](mailto:sales@integrated-circuit.com)



PANEL THICKNESS	X dimension
0.75-1.25 [0.30-0.49]	19.2-0.1 [0.756]
1.25-2.0 [0.49-0.79]	19.4-0.1 [0.764]
2.0-3.0 [0.79-1.18]	19.8-0.1 [0.780]



PANEL CUTOUT  
 NOT TO SCALE



SWITCH FUNCTION	POS. 1	POS. 2
<DN>	OFF	
1-1a	OPEN	

< >=Momentary



CIRCUIT: SPST

NOTES:

1. ALL DIMENSIONS IN MM
2. GENERAL TOLERANCE: X.X=±0.4; X.XX=±0.25
3. TERMINAL NUMBERS FOR REF ONLY
4. RATING: 4(1)A @250VAC, 6A @250VAC 10A @125VAC
5. MATERIALS: TERMINALS: COPPER ALLOY W/SILVER PLATING CONTACTS: COIN SILVER
6. MECHANICAL LIFE: >50,000 CYCLES
7. ELECTRICAL LIFE: >10,000 CYCLES
8. CONTACT RESISTANCE: < 20 milli-OHMS (INITIAL)
9. INSULATION RESISTANCE: > 1000 MEGA-OHMS @ 500VDC
10. DIELECTRIC STRENGTH: >1500VAC 1 MINUTE (INITIAL) >3000V BETWEEN POLES
11. HOUSING & ACTUATOR COLOR:  
 HOUSING: BLACK  
 ACTUATOR: RED

**E-SWITCH®**

R6B BLK RED F F

REV. A	12435	RELEASED FOR PRODUCTION	9/19/02	CJB
ECN No.		DESCRIPTION	DATE	CHKD

TITLE	SCALE	DATE	DR	DWG	REV
	1.5:1	9/19/02	CJB	M060354	A

THE INFORMATION CONTAINED IN THIS DOCUMENT IS PROPRIETARY TO E-SWITCH AND IS NOT TO BE COPIED OR TRANSMITTED