

Excellent Integrated System Limited

Stocking Distributor

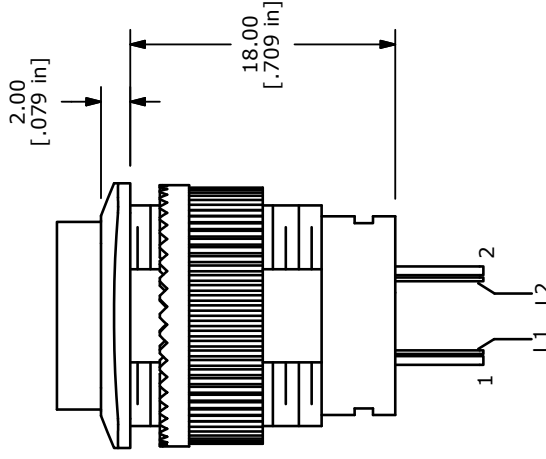
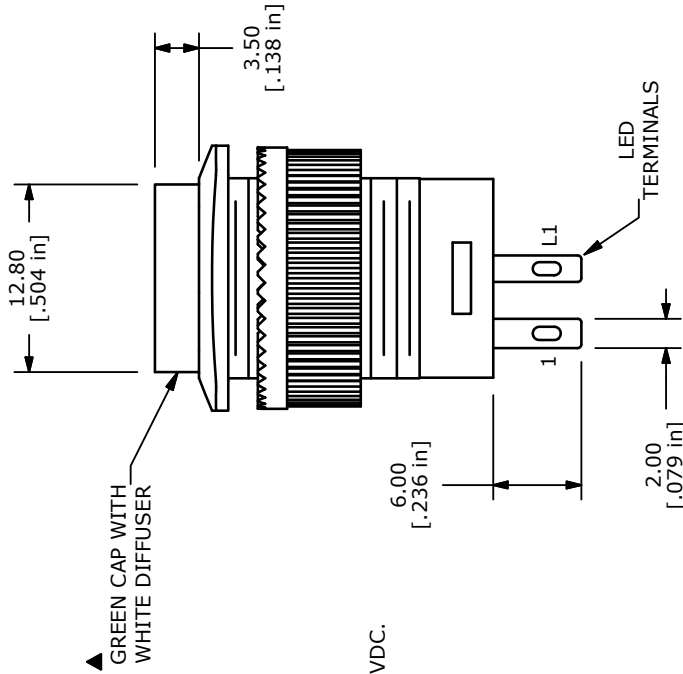
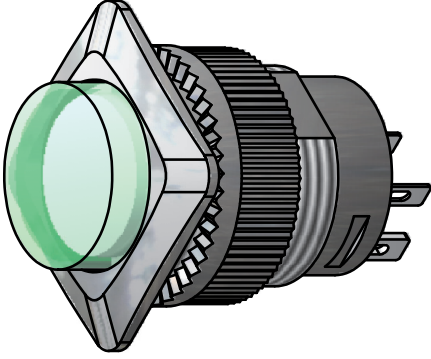
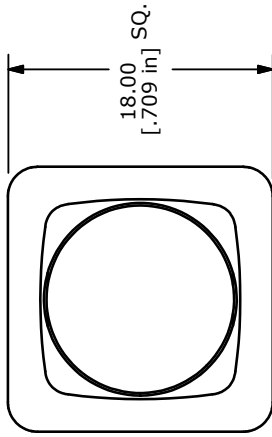
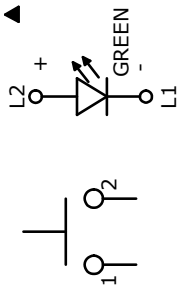
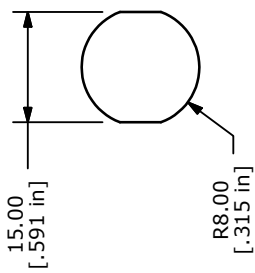
Click to view price, real time Inventory, Delivery & Lifecycle Information:

[E-Switch](#)
[RP3508ABLKGRNGRNNS](#)

For any questions, you can email us directly:

sales@integrated-circuit.com

SHEET 1 OF 1



- NOTE:
- ALL DIMENSIONS IN MM [INCH]
 - GENERAL TOLERANCE: X.X=±0.4
X.XX=±0.25
 - TERMINAL NUMBERS FOR REF ONLY
 - CIRCUIT: SPST OFF-MOMENTARY ON
 - CONTACT RATING: 3A @ 125VAC, 1.5A @ 250VAC
 - ELECTRIC LIFE: 6,000 CYCLES AT FULL LOAD MIN.
 - CONTACT RESISTANCE: 50 MILLI-OHM MAX. (INITIAL)
 - INSULATION RESISTANCE: 100 MEGA-OHM MIN. @ 500VDC.
 - DIELECTRIC STRENGTH: 1,500VAC FOR 1 MINUTE.
 - LED COLOR: GREEN
 - OPERATING TEMPERATURE: -0°C TO +65°C.
 - PANEL THICKNESS RANGE: 7.0 mm MAX.
 - ▲ DENOTES CRITICAL PARAMETER.
 - 2002/95/EC (ROHS) COMPLIANT
 - HARDWARE INCLUDED: MOUNTING NUT

▲ LED SPECS	UNITS	GREEN
FORWARD CURRENT	mA	20
FORWARD VOLTAGE	V	2.0-2.6
LUMINOUS INTENSITY	MCD	100



TITLE RP3508ABLKGRNGRNNS

E	19610	ADDED LED SPECS	1/20/11	BGL
REV	PCR NO	DESCRIPTION	DATE	BY

THE INFORMATION CONTAINED IN THIS DOCUMENT IS PROPRIETARY TO E-SWITCH AND IS NOT TO BE COPIED OR TRANSFERRED

SCALE 2 : 1 DATE 1/20/2011

DR BGL DWG F130422 REV E