

Excellent Integrated System Limited

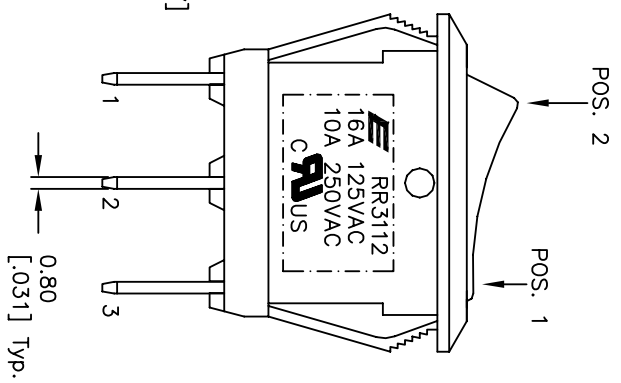
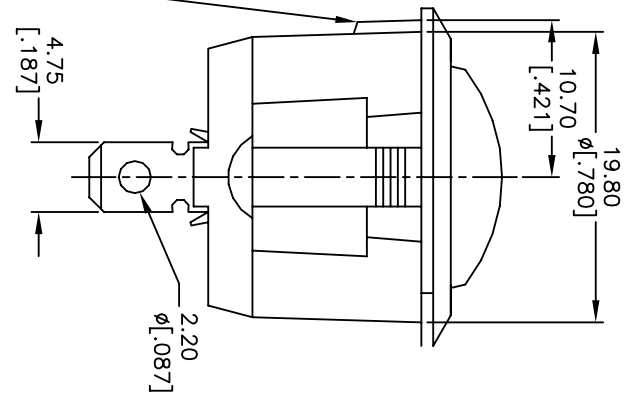
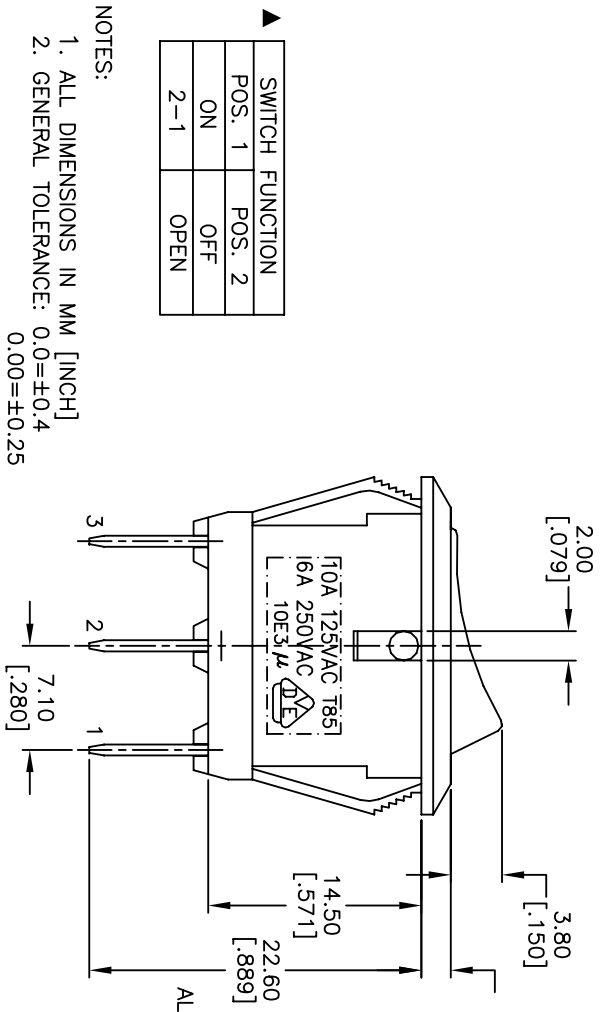
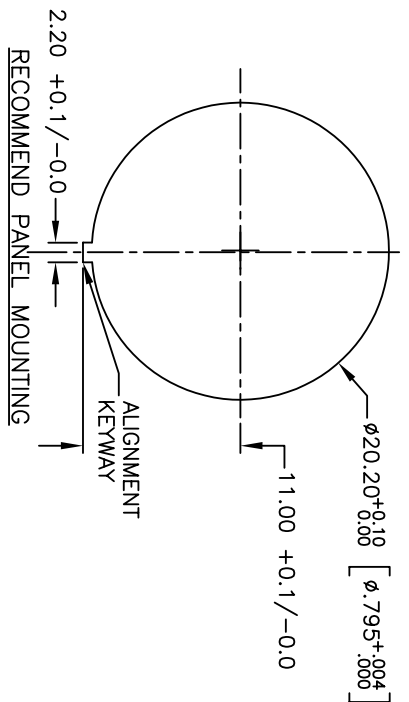
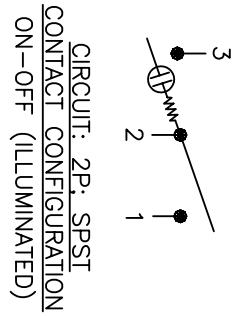
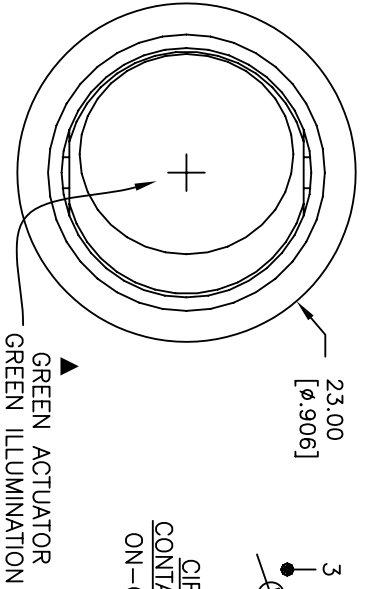
Stocking Distributor

Click to view price, real time Inventory, Delivery & Lifecycle Information:

[E-Switch](#)
[RR3112BBLKGRNGRNEF1](#)

For any questions, you can email us directly:
sales@integrated-circuit.com

SHEET OF



SWITCH FUNCTION	
POS. 1	POS. 2
ON	OFF
2-1	OPEN

- NOTES:
1. ALL DIMENSIONS IN MM [INCH]
 2. GENERAL TOLERANCE: 0.0 \pm 0.4
0.00 \pm 0.25
 3. TERM. NOS. FOR REF. ONLY
 4. RATING: 16A, 125VAC, 10A, 250VAC UL&CUL APPROVED
10A 125VAC, 6A 250V AC VDE APPROVED
 5. CONTACT RESISTANCE: 50m ohm max.
 6. INSULATION RESISTANCE: DC 500V 100M ohm min.
 7. DIELECTRIC STRENGTHS: AC 1500V 1 minute
 8. OPERATING TEMP.: 0°C to 85°C
 9. LAMP: 110V NEON
 10. ▲ DENOTES CRITICAL PARAMETER.

REV.	ECN No.	DESCRIPTION	DATE	CHKD
A	16071	RELEASED FOR PRODUCTION	6/5/06	CT

TITLE	SCALE	DATE	DR	DWG	REV
RR3112BBLKGRNGRNEF1	2:1	6/5/06	CT	F130458	A

E-SWITCH

THE INFORMATION CONTAINED IN THIS DOCUMENT IS PROPRIETARY TO E-SWITCH AND IS NOT TO BE COPIED OR TRANSMITTED