

Excellent Integrated System Limited

Stocking Distributor

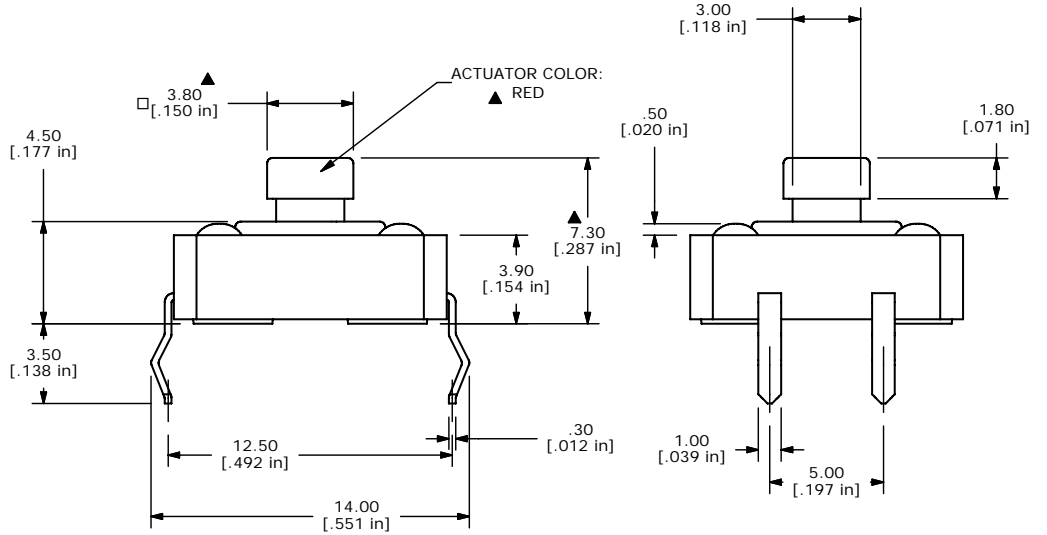
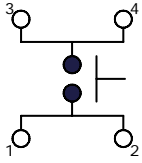
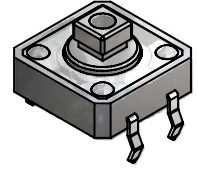
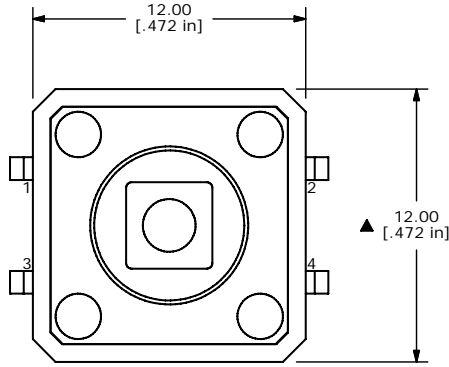
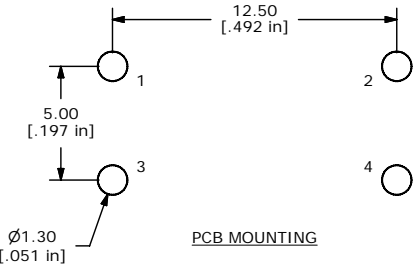
Click to view price, real time Inventory, Delivery & Lifecycle Information:

[E-Switch](#)
[TL1100AF260Q](#)

For any questions, you can email us directly:

sales@integrated-circuit.com

SHEET 1 OF 1



- NOTES:
1. ALL DIMENSIONS IN MM [INCH]
 2. GENERAL TOLERANCE: X.X=±0.4
X.XX=±0.25
 3. TERMINAL NUMBERS FOR REF. ONLY
 4. RATING: 50mA @ 12VDC
 5. TRAVEL: 0.30±0.15mm
 - ▲ 6. OPERATING FORCE: 260±50mm
 7. CONTACT RESISTANCE: 100mΩ MAX.
 8. ELECTRICAL LIFE: 100,000 CYCLES
 9. ▲ DENOTES CRITICAL PARAMETER
 10. 2002/95/EC (ROHS) COMPLIANT



A	20828	RELEASED	10/15/12	rc
REV	PCR NO	DESCRIPTION	DATE	BY

TITLE TL1100AF260Q				
SCALE 2:1	DATE 10/15/2012	DR rc	DWG P001112	REV A

THE INFORMATION CONTAINED IN THIS DOCUMENT IS PROPRIETARY TO E-SWITCH AND IS NOT TO BE COPIED OR TRANSFERRED