

## Excellent Integrated System Limited

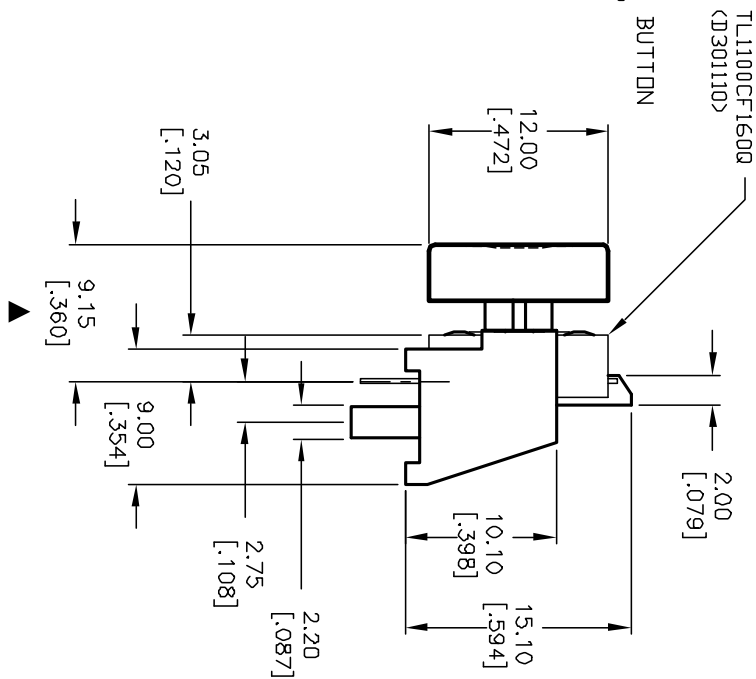
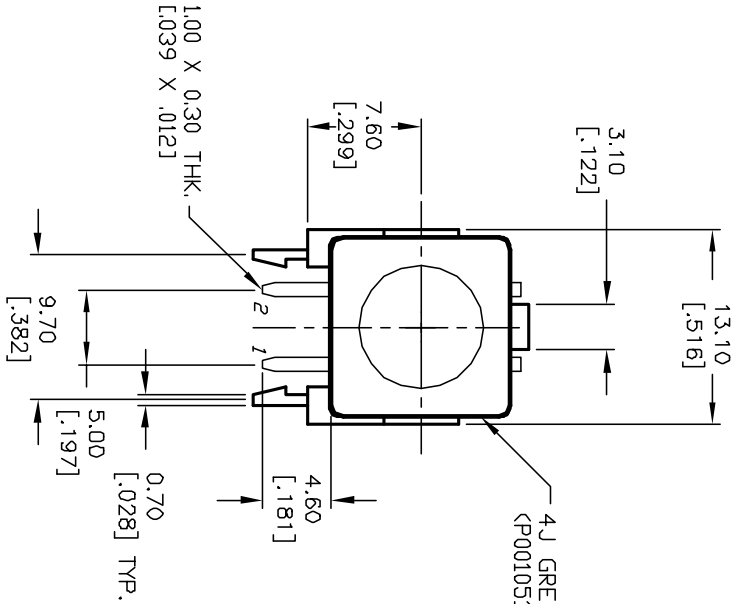
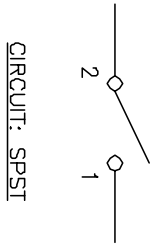
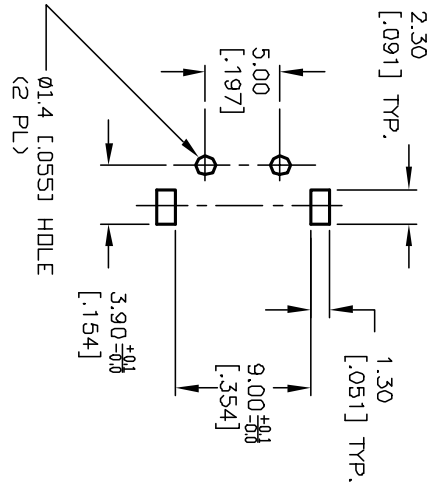
Stocking Distributor

Click to view price, real time Inventory, Delivery & Lifecycle Information:

[E-Switch](#)  
[TL1100CF160Q4JGRY](#)

For any questions, you can email us directly:

[sales@integrated-circuit.com](mailto:sales@integrated-circuit.com)



- NOTES:
1. ALL DIMENSIONS IN MM [INCH]
  2. GENERAL TOLERANCE: X.X=±0.4  
X.XX=±0.25
  3. TERM. NOS. FOR REF. ONLY
  4. RATING: 50mA, @12V DC
  5. TRAVEL: 0.30±0.15mm
  6. OPERATING FORCE: 160±50gf
  7. CONTACT RESISTANCE: 100 MILLIOHMS Max.
  8. ELECTRICAL LIFE: 100,000 CYCLES MIN.
  9. MAJOR DIMENSIONS

REV.	ECN No.	DESCRIPTION	DATE	CHKD
A	11935	RELEASED FOR PRODUCTION	2/7/02	--

TITLE	SCALE	DATE	DR	DWG	REV
TL 1100C F160 Q (4J GR Y)	2:1	2/7/02	--	XD03954	A

**E-SWITCH®**

THE INFORMATION CONTAINED IN THIS DOCUMENT IS PROPRIETARY TO E-SWITCH AND IS NOT TO BE COPIED OR TRANSMITTED