

Excellent Integrated System Limited

Stocking Distributor

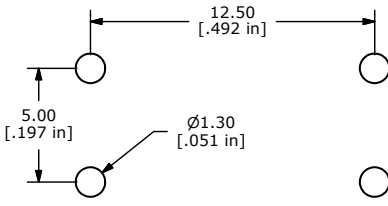
Click to view price, real time Inventory, Delivery & Lifecycle Information:

[E-Switch](#)
[TL1100F260Q](#)

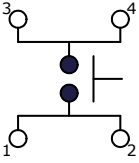
For any questions, you can email us directly:

sales@integrated-circuit.com

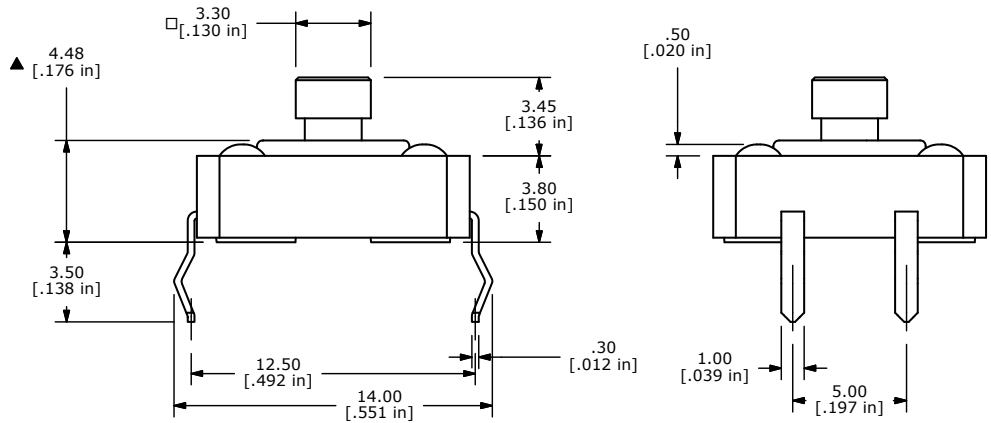
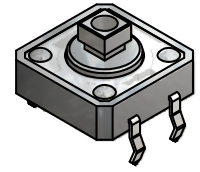
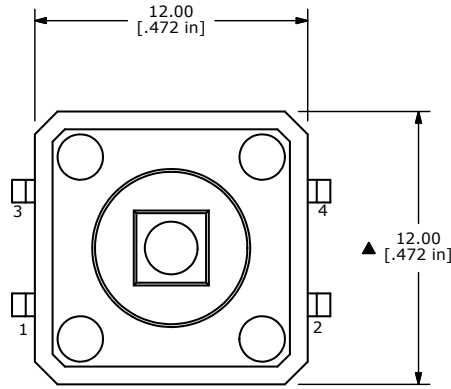
SHEET 1 OF 1



PCB MOUNTING



CIRCUIT: SPST



NOTES:

1. ALL DIMENSIONS IN MM [INCH]
2. GENERAL TOLERANCE: X.X=±0.4
X.XX=±0.25
3. TERMINAL NUMBERS FOR REF. ONLY
- ▲ 4. RATING: 50mA @ 12VDC
5. TRAVEL: 0.30±0.15mm
6. OPERATING FORCE: 260±50mm
7. CONTACT RESISTANCE: 100mΩ MAX.
8. ELECTRICAL LIFE: 100,000 CYCLES
9. ▲ DENOTES CRITICAL PARAMETER
10. 2002/95/EC (ROHS) COMPLIANT



C	20481	ADD DIMENSION TO ACTUATOR	02/15/12	BMA
B	16031	REVISED AND REDRAWN	5/23/06	CT
REV	PCR NO	DESCRIPTION	DATE	BY

TITLE TL1100F260Q

SCALE 2:1

DATE 12/1/1998

DR MM

DWG P001111

REV C

THE INFORMATION CONTAINED IN THIS DOCUMENT IS PROPRIETARY TO E-SWITCH AND IS NOT TO BE COPIED OR TRANSFERRED