

Excellent Integrated System Limited

Stocking Distributor

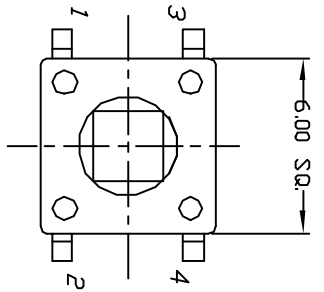
Click to view price, real time Inventory, Delivery & Lifecycle Information:

[E-Switch](#)
[TL1105TF250Q](#)

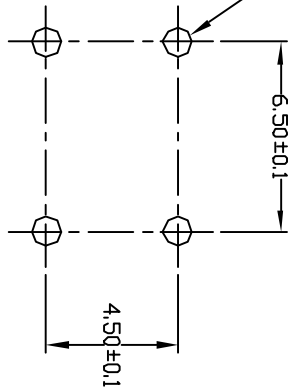
For any questions, you can email us directly:

sales@integrated-circuit.com

SHEET OF



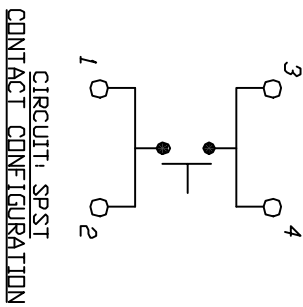
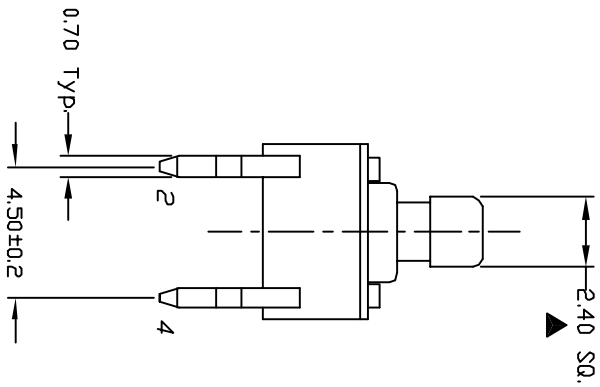
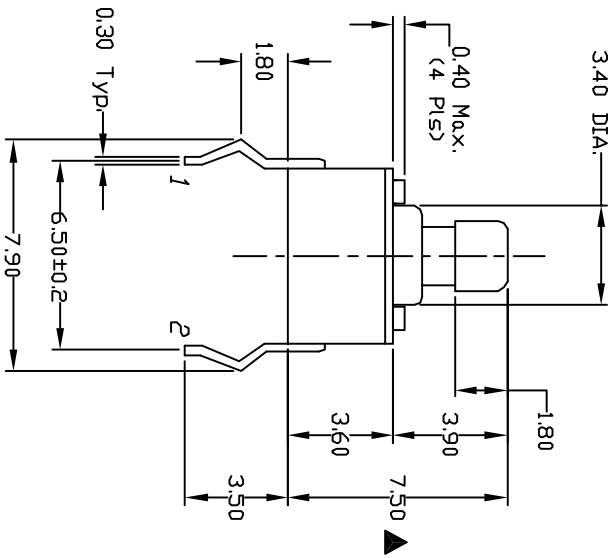
1.00 DIA.±0.05
TYP.



RECOMMEND P.C.B. LAYOUT

NOTES:

1. ALL DIMENSIONS IN MM
2. GENERAL TOLERANCE: 0.0±0.4
0.00±0.25
3. TERM. NOS. FOR REF. ONLY
4. RATING: 50mA, @12V DC
5. TRAVEL: 0.25±0.1mm
6. OPERATING FORCE: 250±50gf
7. CONTACT RESISTANCE: 100 milliohms Max.
8. ELECTRICAL LIFE: 100,000 CYCLES MIN.
9. DESIGNATE MAJOR DIMENSIONS



REV.	ECN No.	DESCRIPTION	DATE	CHKD
A	10035	RELEASED FOR PRODUCTION		

TITLE	SCALE	DATE	DR	DWG	REV
TL 1105 T F250 Q	4:1	12/1/98	MM	P010203	A

E-SWITCH®

THE INFORMATION CONTAINED IN THIS DOCUMENT IS PROPRIETARY TO E-SWITCH AND IS NOT TO BE COPIED OR TRANSMITTED