

Excellent Integrated System Limited

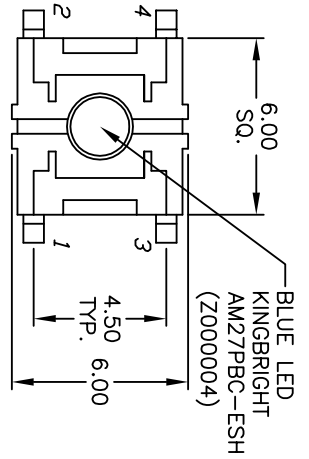
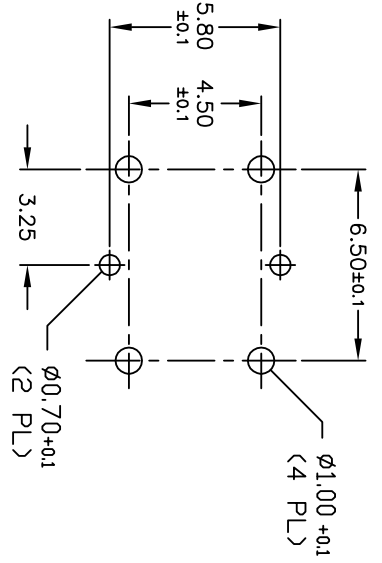
Stocking Distributor

Click to view price, real time Inventory, Delivery & Lifecycle Information:

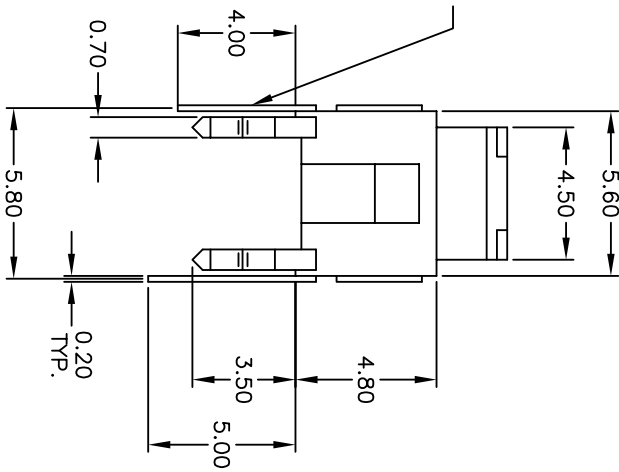
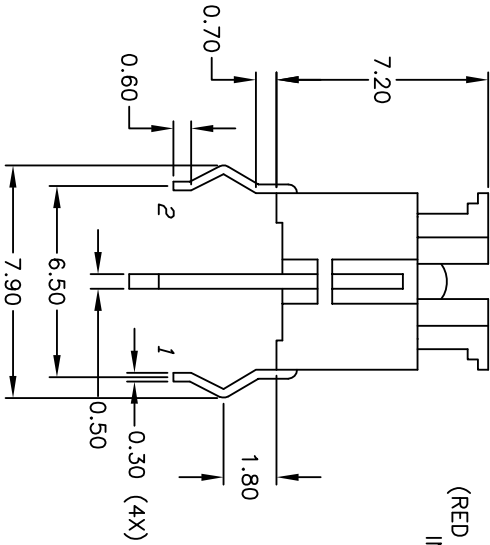
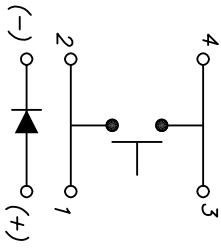
[E-Switch](#)
[TL1240BQ](#)

For any questions, you can email us directly:

sales@integrated-circuit.com



RECOMMENDED P.C.B. LAYOUT



NOTES:

1. ALL DIMENSIONS IN MM
2. GENERAL TOLERANCE: X.X=±0.4
X.XX=±0.25
3. RATING: 50mA, 12VDC
4. TRAVEL: 0.25 +0.2/0.1mm
5. OPERATING FORCE: 160 ± 50gf
6. CONTACT RESISTANCE: 100mILLI-Ohms Max
7. 2002/95/EC (ROHS) COMPLIANT

D	18969	COLOR OF CATHODE MARK WAS YELLOW	3/25/10	BLR
C	18299	COLOR OF CATHODE MARK WAS RED	10/28/08	BLR
B	13827	LED TERMINALS	3/11/04	AR
REV.	ECN No.	DESCRIPTION	DATE	CHKD

TITLE		E-SWITCH®		LAMB INDUSTRIES	
TL1240BQ		SCALE	DATE	DR	DWG
		4:1	3/25/10	BLR	P001085
					REV
					D

THE INFORMATION CONTAINED IN THIS DOCUMENT IS PROPRIETARY TO E-SWITCH AND IS NOT TO BE COPIED OR TRANSMITTED