

## Excellent Integrated System Limited

Stocking Distributor

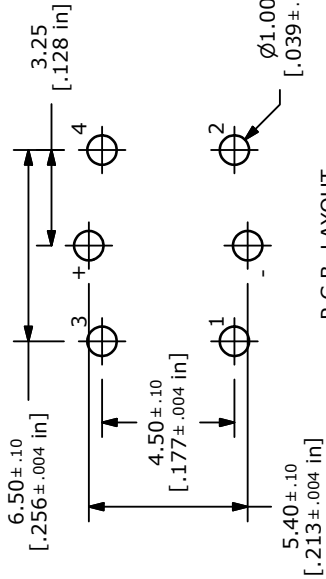
Click to view price, real time Inventory, Delivery & Lifecycle Information:

[E-Switch](#)  
[TL1240RQ1JCLR](#)

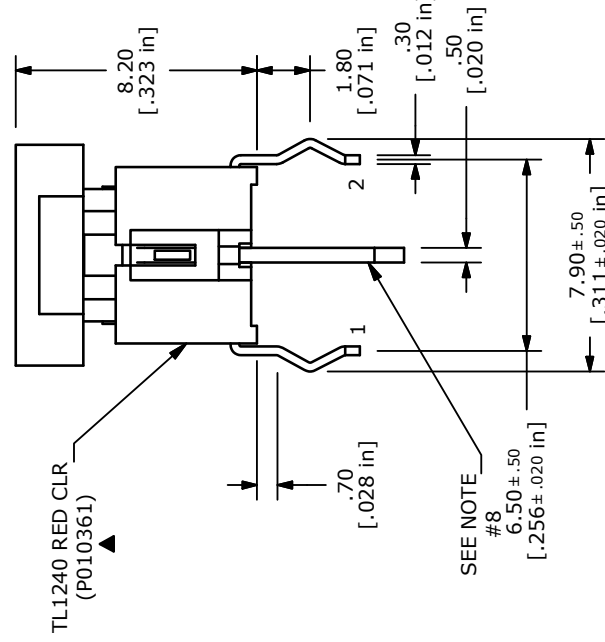
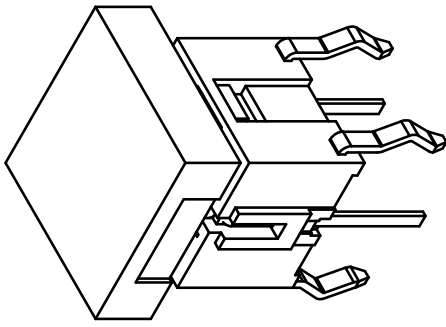
For any questions, you can email us directly:

[sales@integrated-circuit.com](mailto:sales@integrated-circuit.com)

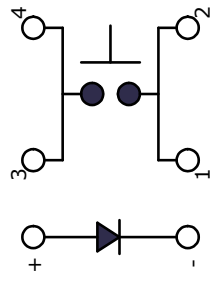
SHEET 1 OF 1



P.C.B. LAYOUT



TL1240 RED CLR (P010361)



CIRCUIT: SPST

- NOTES:
1. ALL DIMENSIONS IN MM
  2. GENERAL TOLERANCE: X.X=±0.4  
X.XX=±0.25
  3. RATING: 50mA @ 12VDC
  4. TRAVEL: 0.25 +0.2/0.1mm
  5. OPERATING FORCE: 160±50gf
  6. CONTACT RESISTANCE: 100 Milli-Ohms Max
  7. 2002/95/EC (ROHS) COMPLIANT
  8. SHORTER LEAD (WITH COLOR) IS NEGATIVE (CATHODE).
  9. ▲ DENOTES CRITICAL PARAMETER

LED SPECS	UNITS	RED
FORWARD CURRENT	mA	20
FORWARD VOLTAGE	V	1.8-2.5
LUMINOUS INTENSITY	MCD	150



C	19550	DRAWING UPDATE / CLEAN-UP	12/28/10	BGL
REV	PCR NO	DESCRIPTION	DATE	BY
THE INFORMATION CONTAINED IN THIS DOCUMENT IS PROPRIETARY TO E-SWITCH AND IS NOT TO BE COPIED OR TRANSFERRED				
		TITLE	TL1240RQ1JCLR	
		SCALE	4:1	
		DATE	12/28/2010	
		DR	BGL	
		DWG	XP0131P	
		REV	C	