

Excellent Integrated System Limited

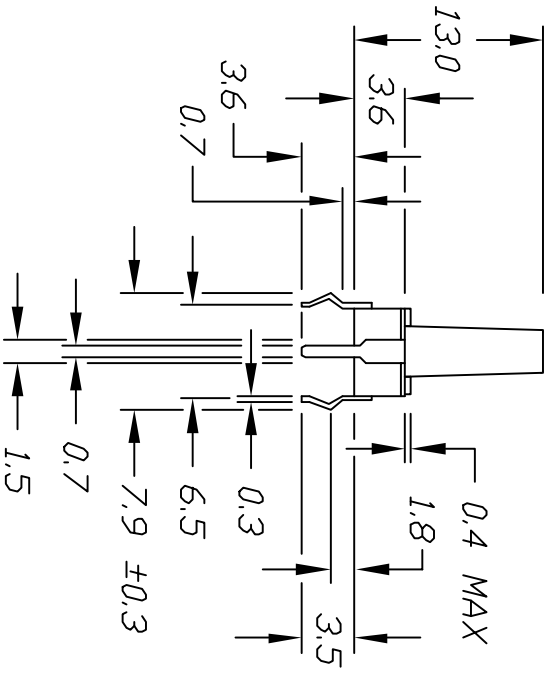
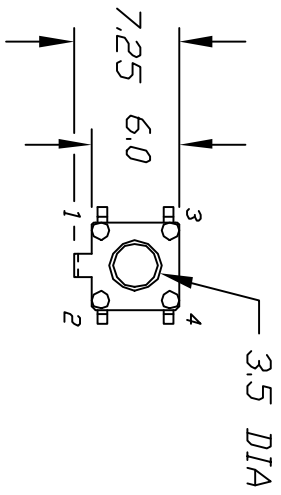
Stocking Distributor

Click to view price, real time Inventory, Delivery & Lifecycle Information:

[E-Switch](#)
[TLE1105DF160Q](#)

For any questions, you can email us directly:

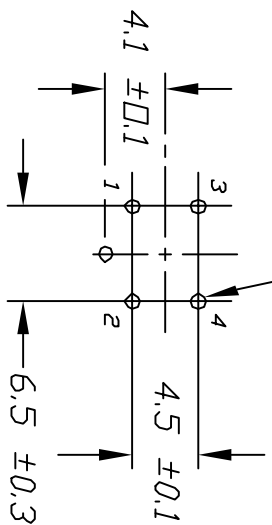
sales@integrated-circuit.com



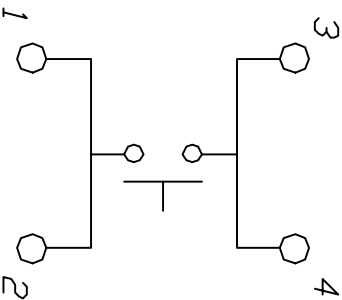
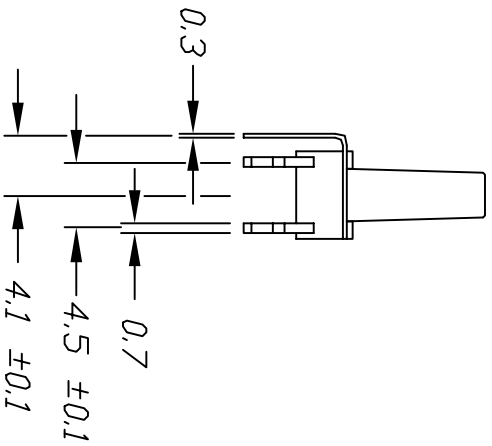
NOTES:

1. ALL DIMENSIONS IN MM
2. TERM. NOS. FOR REF ONLY

1.0 ±0.05 DIA HOLES (5)



P.C.B. MOUNTING HOLES
 TERMINAL NUMBERS FOR REF ONLY



CONTACT CONFIGURATION
 TERMINAL NUMBERS FOR REF ONLY

E-SWITCH

REV.	RELEASED FOR PRODUCTION DESCRIPTION	DATE	CHKD
A			

THE INFORMATION CONTAINED IN THIS DOCUMENT IS PROPRIETARY TO E-SWITCH AND IS NOT TO BE COPIED OR TRANSFERRED

TOLERANCES	
0.0	±0.4
0.00	±0.25

SCALE	DATE	DR	DWG	REV
2:1	2/22/95	JL	P010104	A

TITLE: TLE 1105D (BLACK PLUNGER)