

Excellent Integrated System Limited

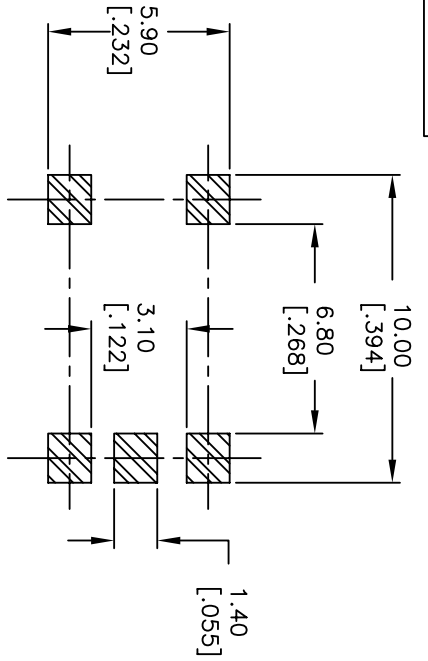
Stocking Distributor

Click to view price, real time Inventory, Delivery & Lifecycle Information:

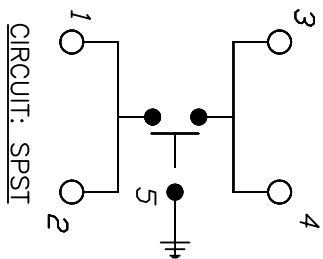
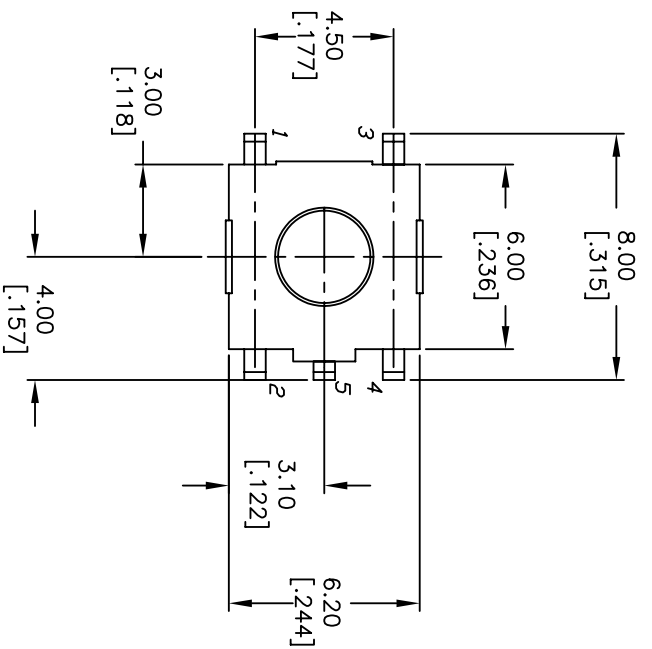
[E-Switch](#)
[TLE3303F260QG](#)

For any questions, you can email us directly:

sales@integrated-circuit.com

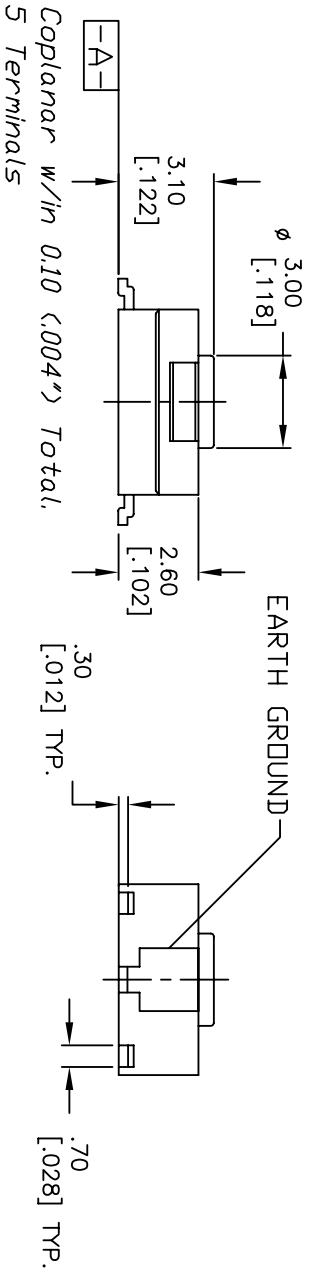


RECOMMENDED P.C.B. LAND



NOTES:

1. ALL DIMENSIONS IN MM
2. GENERAL TOLERANCE: X.X=±0.4 X.XX=±0.25
3. TERMINAL NOS FOR REF. ONLY
4. TRAVEL: 0.25 +0.2/-0.1mm
5. RATING: 50mA, 12VDC
6. OPERATING FORCE: 260±50gf
7. CONTACT RESISTANCE: 50m OHM MAX.
8. PACKAGED: TAPE & REEL 1,500 PER REEL
9. INSULATION RESISTANCE: 100M OHMS
10. DIELECTRIC DTRENGTH: 250 VAC
11. OPERATING TEMP: -20°C TO 70°C
12. 2002/95/EC (ROHS) COMPLIANT
13. ELECTRICAL LIFE: 100,000 CYCLES
14. BOUNCE: <10m SEC.



REV.	ECN No.	DESCRIPTION	DATE	CHKD	SCALE	DATE	DR	DWG	REV
E	15835	EDIT NOTES	3/1/06	PH	4:1	6/25/02	CJB	P010526	E
D	15759	EDIT NOTES	2/13/06	PH					
C	15514	EDIT CIRCUIT LAYOUT	11/10/05	PH					
B	11904	REVISED AND REDRAWN	6/25/02	CJB					
REV.	ECN No.	DESCRIPTION	DATE	CHKD					

E-SWITCH®

TITLE: TLE3303 F260 Q G (TAPE & REEL)

THE INFORMATION CONTAINED IN THIS DOCUMENT IS PROPRIETARY TO E-SWITCH AND IS NOT TO BE COPIED OR TRANSFERRED