

Excellent Integrated System Limited

Stocking Distributor

Click to view price, real time Inventory, Delivery & Lifecycle Information:

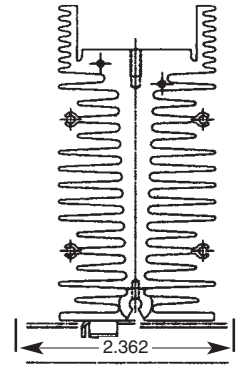
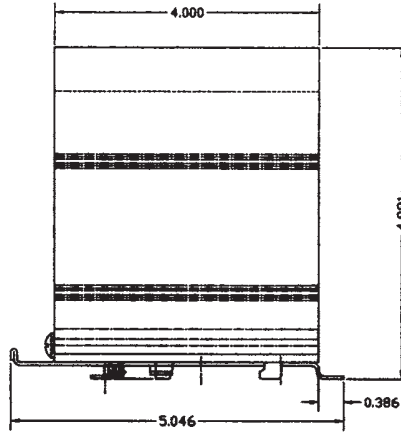
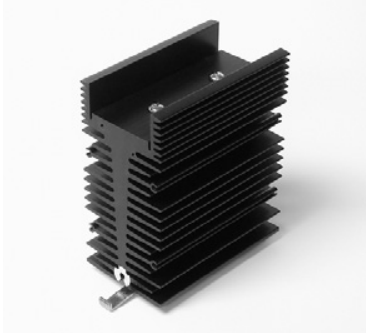
[Crouzet](#)
[HS10](#)

For any questions, you can email us directly:

sales@integrated-circuit.com

SOLID STATE RELAYS

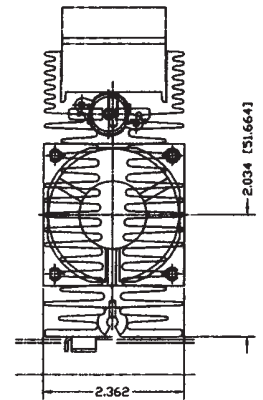
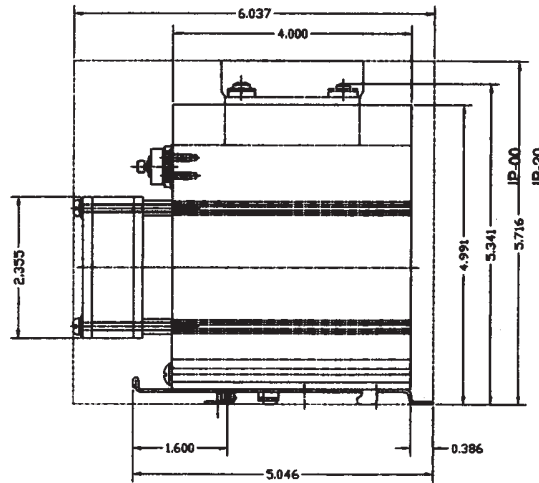
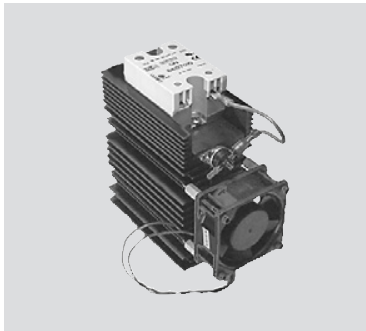
HS10 HEATSINK



ORDERING INFORMATION:

Model #	Description
HS10	Heatsink 1.1°C/W (For Single Phase SSR's)

HS12 HEATSINK



(Relay Optional)

ORDERING INFORMATION:

Model #	Description
HS12	Heatsink 0.55°C/W (For Single Phase SSR's)

DIMENSIONS: inches (mm)
TOLERANCES: ±0.02 inches
MATERIAL: AISI 6063-T5 Aluminum
FINISH: Black Anodized

Products and specifications subject to change without notice.
 Consult factory for application assistance.