

Excellent Integrated System Limited

Stocking Distributor

Click to view price, real time Inventory, Delivery & Lifecycle Information:

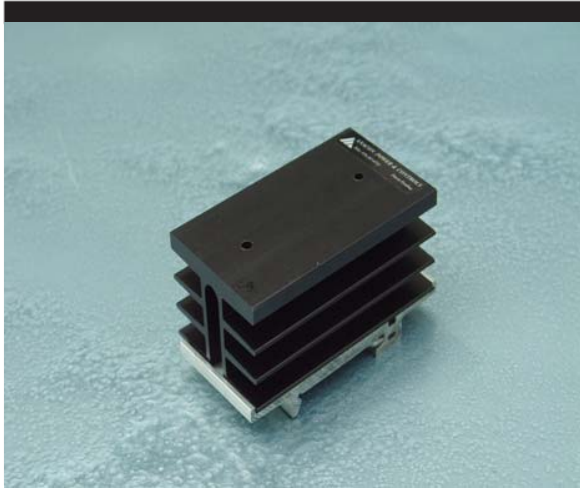
[Crouzet](#)
[HS8.3](#)

For any questions, you can email us directly:

sales@integrated-circuit.com

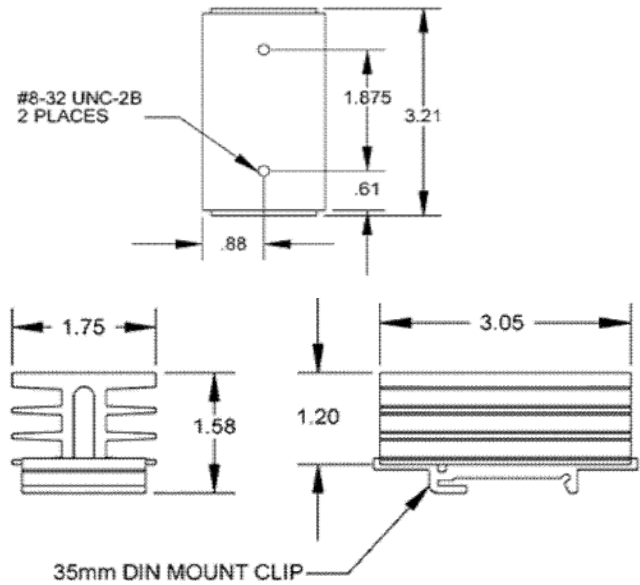
SOLID STATE RELAY ACCESSORIES

HS8.3 HEATSINK



ORDERING INFORMATION:

Model #	Description
HS8.3	Heatsink 3.5°C/W (For Single Phase SSR's)



DIMENSIONS: inches
TOLERANCES: ±0.02 inches
MATERIAL: AISI 6063-T5 Aluminum
FINISH: Black Anodized

Products and specifications subject to change without notice.
 Consult factory for application assistance.