

Excellent Integrated System Limited

Stocking Distributor

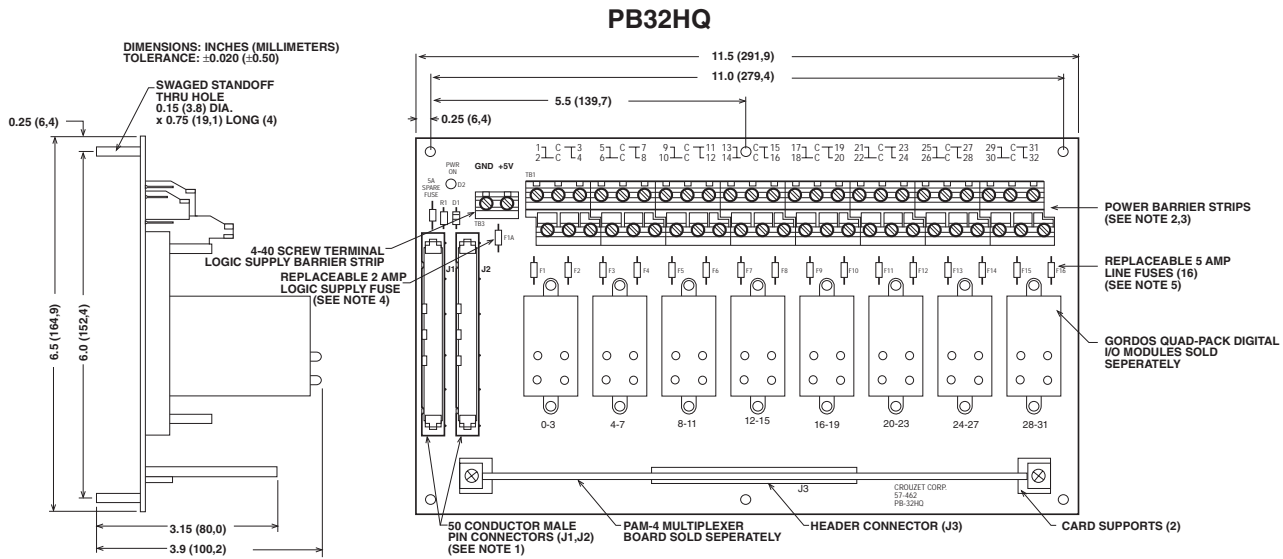
Click to view price, real time Inventory, Delivery & Lifecycle Information:

[Crouzet](#)
[PB-32HQ](#)

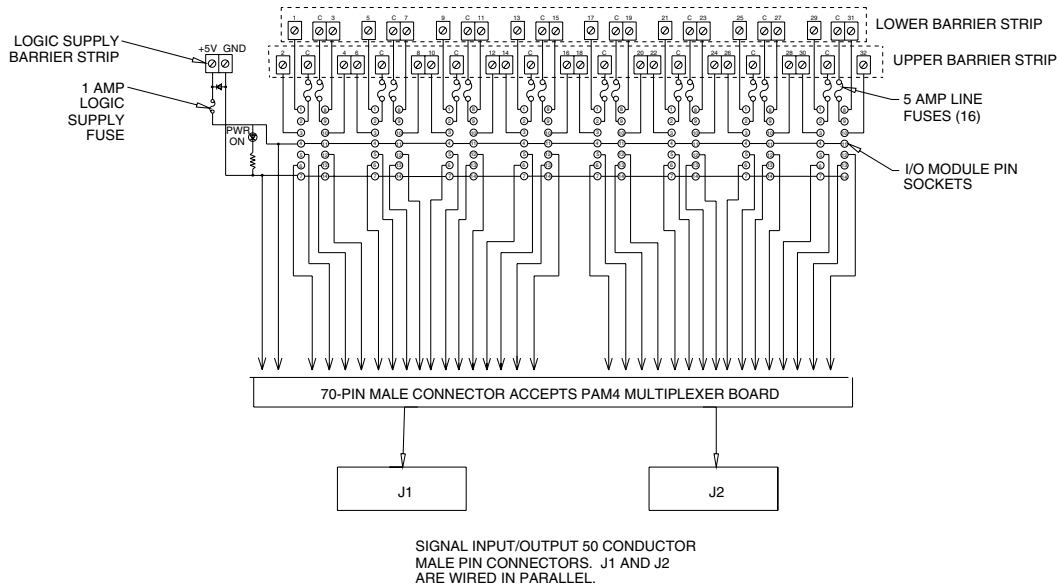
For any questions, you can email us directly:
sales@integrated-circuit.com

DIGITAL I/O MODULE MOUNTING BOARDS

FOR QUAD-PACK MODULES



- NOTES: 1) CONNECTOR IS CIRCUIT ASSEMBLY CA-50H-2B-SR OR EQUIVALENT. CONNECTORS ARE WIRED IN PARALLEL.
 2) 6-32 SCREW TERMINAL BARRIER STRIPS ACCEPT WIRE SIZES FROM 24 TO 12 AWG.
 3) OPTIONAL JUMPERS AVAILABLE TO INTERCONNECT BARRIER STRIP COMMONS. ORDER 2 EACH JUMPERS "JQ2" AND 4 EACH JUMPERS "JQ4".
 4) LITTLE FUSE 251001 OR EQUIVALENT.
 5) LITTLE FUSE 251005 OR EQUIVALENT.



Products and specifications subject to change without notice.
 Consult factory for application assistance.