

Excellent Integrated System Limited

Stocking Distributor

Click to view price, real time Inventory, Delivery & Lifecycle Information:

[Crouzet](#)
[PB-8H](#)

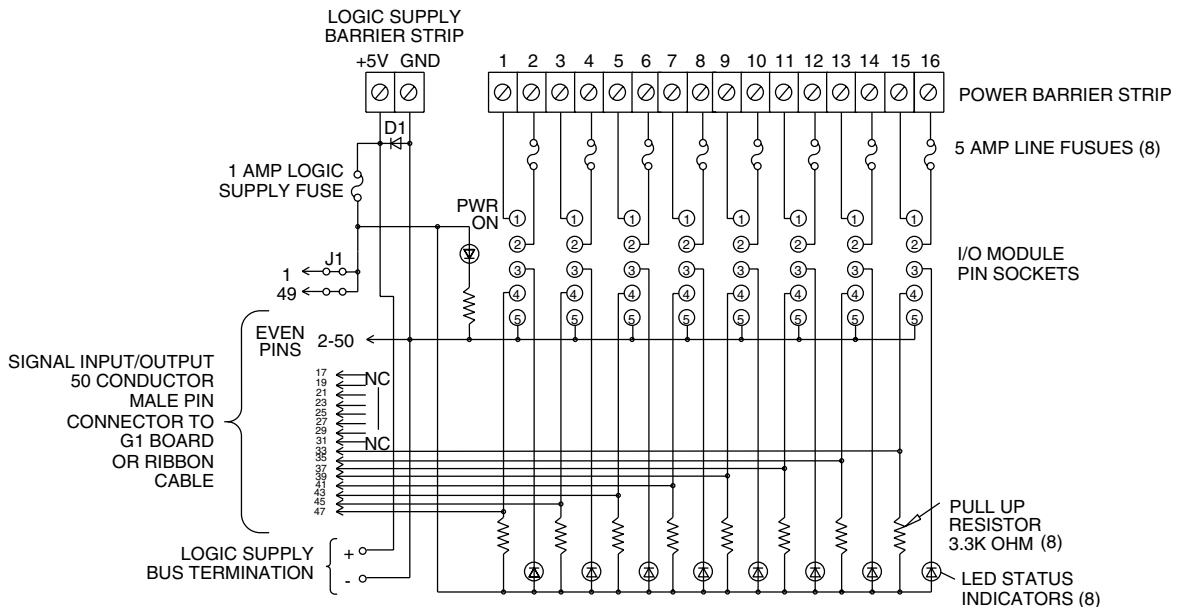
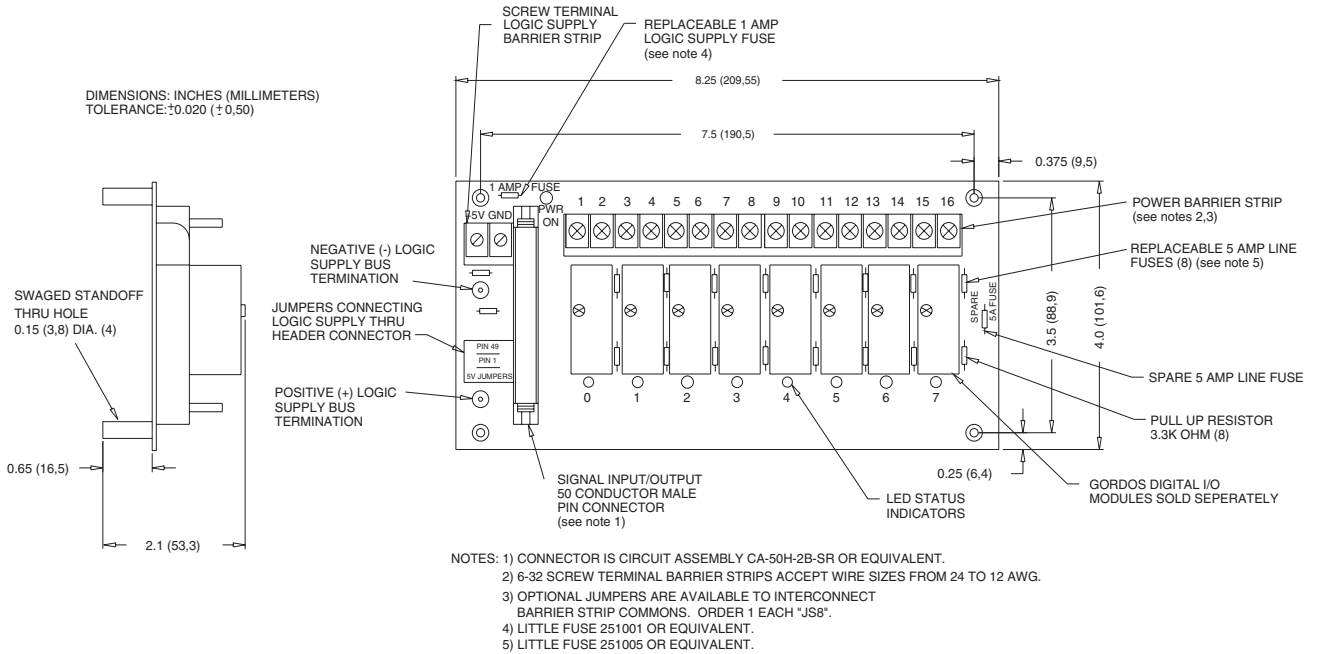
For any questions, you can email us directly:

sales@integrated-circuit.com

DIGITAL I/O MODULE MOUNTING BOARDS

FOR 0.6 INCH MODULES (Compatible with "SM" Series Modules)

PB8H



Products and specifications subject to change without notice.
 Consult factory for application assistance.