

Excellent Integrated System Limited

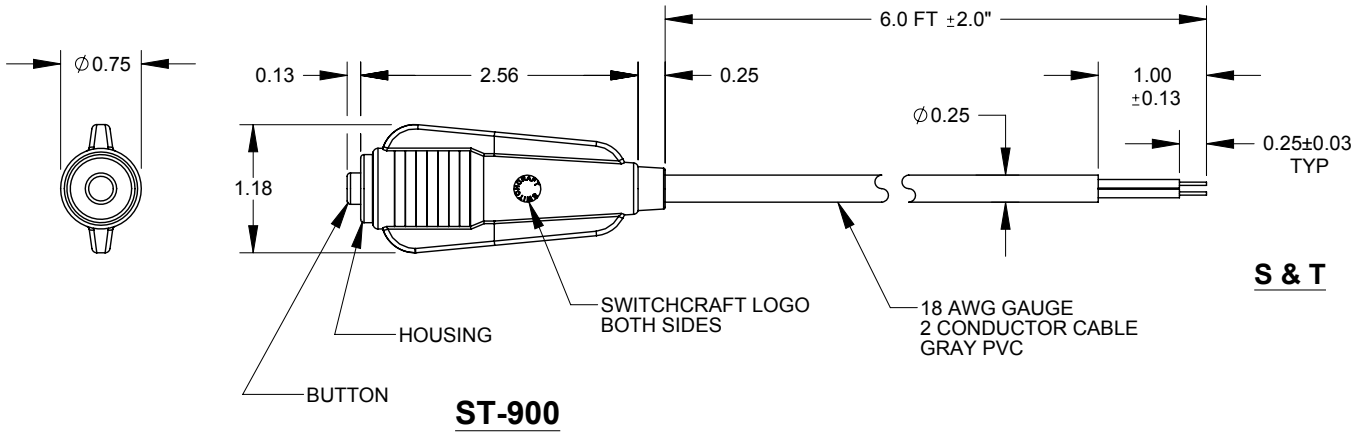
Stocking Distributor

Click to view price, real time Inventory, Delivery & Lifecycle Information:

[Switchcraft Inc.](#)
[921KX](#)

For any questions, you can email us directly:

sales@integrated-circuit.com



NOTES:

1. MATERIALS:
HOUSING & BODY - THERMOPLASTIC, WHITE
CONTACTS - COPPER ALLOY, GOLD PLATED
BUTTON, THERMOPLASTIC, BLACK
OVERMOLD - THERMOPLASTIC, GRAY
2. CIRCUIT: "1-A" NORMALLY OPEN.
3. THIS PRODUCT IS RoHS COMPLIANT.

CUSTOMER DRAWING

					THIS DRAWING DESCRIBES A DESIGN CONSIDERED PROPRIETARY IN NATURE, DEVELOPED AND MANUFACTURED BY SWITCHCRAFT INC. AND IS RELEASED ON A CONFIDENTIAL BASIS FOR IDENTIFICATION PURPOSES ONLY.				
					SIZE	WIDTH	MULT	LBS/M	TEMPER
					UNLESS OTHERWISE SPECIFIED			MATERIAL SPEC No.	
					1. ALL DIMENSIONS IN INCHES			SCALE 0.75:1	
					- TWO PLACE DECIMALS ±0.02			Switchcraft®	
					- THREE PLACE DECIMALS ±0.005				
A	26551	06-08-10	JEB	TJK	DATE DRAWN	BY	CHKD	APVD	SHEET 1 OF 1
REV	ECO NUMBER	DATE	BY	APVD	07-08-10	JEB	07-08-10	12-27-10	
REVISIONS					NAME CABLE ASSEMBLY ST-900 TO S&T, RoHS				
DO NOT SCALE DRAWING					PART No. 921KX				
					REV A				

SolidWorks CAD File

