



Excellent Integrated System Limited

Stocking Distributor

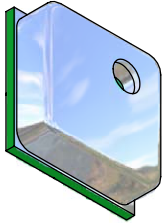
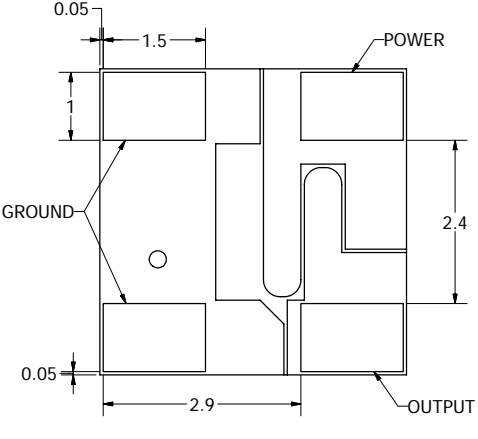
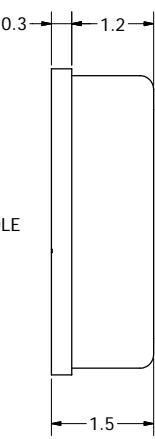
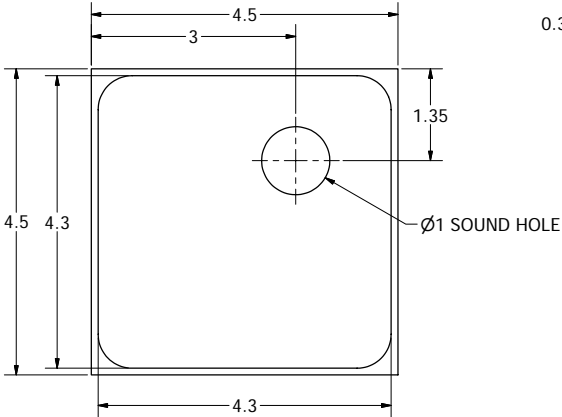
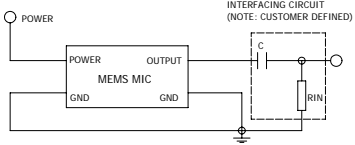
Click to view price, real time Inventory, Delivery & Lifecycle Information:

[PUI Audio, Inc.](#)
[ROSM-1542-C3310-R](#)

For any questions, you can email us directly:
sales@integrated-circuit.com

SPECIFICATIONS			REVISION HISTORY			
PARAMETERS	VALUES	UNITS	LTR	DESCRIPTION	DATE	APPROVED
DIRECTIVITY	OMNI	-	-	RELEASED FROM ENGINEERING	2/12/2008	
SENSITIVITY	-42 ± 3	dB				
STANDARD OPERATING VOLTAGE	2.1	Vdc				
MAX OPERATING VOLTAGE	3.6	Vdc				
CURRENT CONSUMPTION (MAX)	200	µA				
IMPEDANCE (MAX)	100	Ohm				
SIGNAL TO NOISE RATIO (MIN.)	55	dB				
INTERNAL CAPACITOR	33 & 10	pF				
FREQUENCY RANGE	100 ~ 7,000	Hz				
OPERATING TEMPERATURE	-40 ~ +100	°C				
STORAGE TEMPERATURE	-40 ~ +100	°C				

THIS DOCUMENT CONTAINS DATA PROPRIETARY TO PROJECTS UNLIMITED, INC. ANY USE OR REPRODUCTION, IN ANY FORM, WITHOUT PRIOR WRITTEN PERMISSION OF PROJECTS UNLIMITED, INC. IS PROHIBITED.
©2003, Projects Unlimited Inc.



- NOTES:**
1. ALL DIMENSIONS ARE IN MILLIMETERS.
 2. SPECIFICATIONS SUBJECT TO CHANGE OR WITHDRAWL WITHOUT NOTICE.
 3. THIS PART IS RoHS 2002/95/EC COMPLIANT.
 4. MAXIMUM OF 120dB INPUT SPL (FOR LESS THAN 0.5% DISTORTION).
 5. OUTPUT SIGNAL @ 94dB SPL, 1KHz (-45dB/5.65mV, -40dB/10.04mV).
 6. 1dB SENSITIVITY VARIATION OVER OPERATING RANGE (1.5-3.6V).

UNLESS OTHERWISE SPECIFIED: DIMENSIONS ARE IN MILLIMETERS, TOLERANCES ARE ±0.5 AND ANGLES ARE ±3°.	SIZE	Designed by	Date	Checked by	Date	Approved by	Date	Drawn Date	
	A3	J.D.	2/12/2008	B.R.	2/13/2008	R.W.	2/13/2008	2/13/2008	
ROSM-1542-C3310-R.idw				ROSM-1542-C3310-R				Microphone	
							Edition	Sheet	
							-	1 / 1	