

Excellent Integrated System Limited

Stocking Distributor

Click to view price, real time Inventory, Delivery & Lifecycle Information:

[AVX Corporation](#)
[KT3225F27456ZAW28TA0](#)

For any questions, you can email us directly:

sales@integrated-circuit.com

Issued Date : 20,Jul,2007

Issued No. : 070720 M0

Messrs : e-Ride

**Temperature Compensated Crystal Oscillator
(VC-TCXO / TCXO)
KT3225F27456ZAW28TA0
(KT21F-ZAW28A-27.456M-T)
Technical Specification**

Preliminary

KYOCERA KINSEKI Corporation

**KAGOSHIMA KOKUBU Plant
TCXO Engineering Department**

TCXO KT3225F Parts Number

KT3225F27456ZAW28TA0

F : Product Specification Code

27456 : Nominal Frequency

Z : Freq. Stability vs Temp. +/-5.0 ppm

A : Bottom Temperature Limit -40 deg.C

W : Upper Temperature Limit +85 deg.C

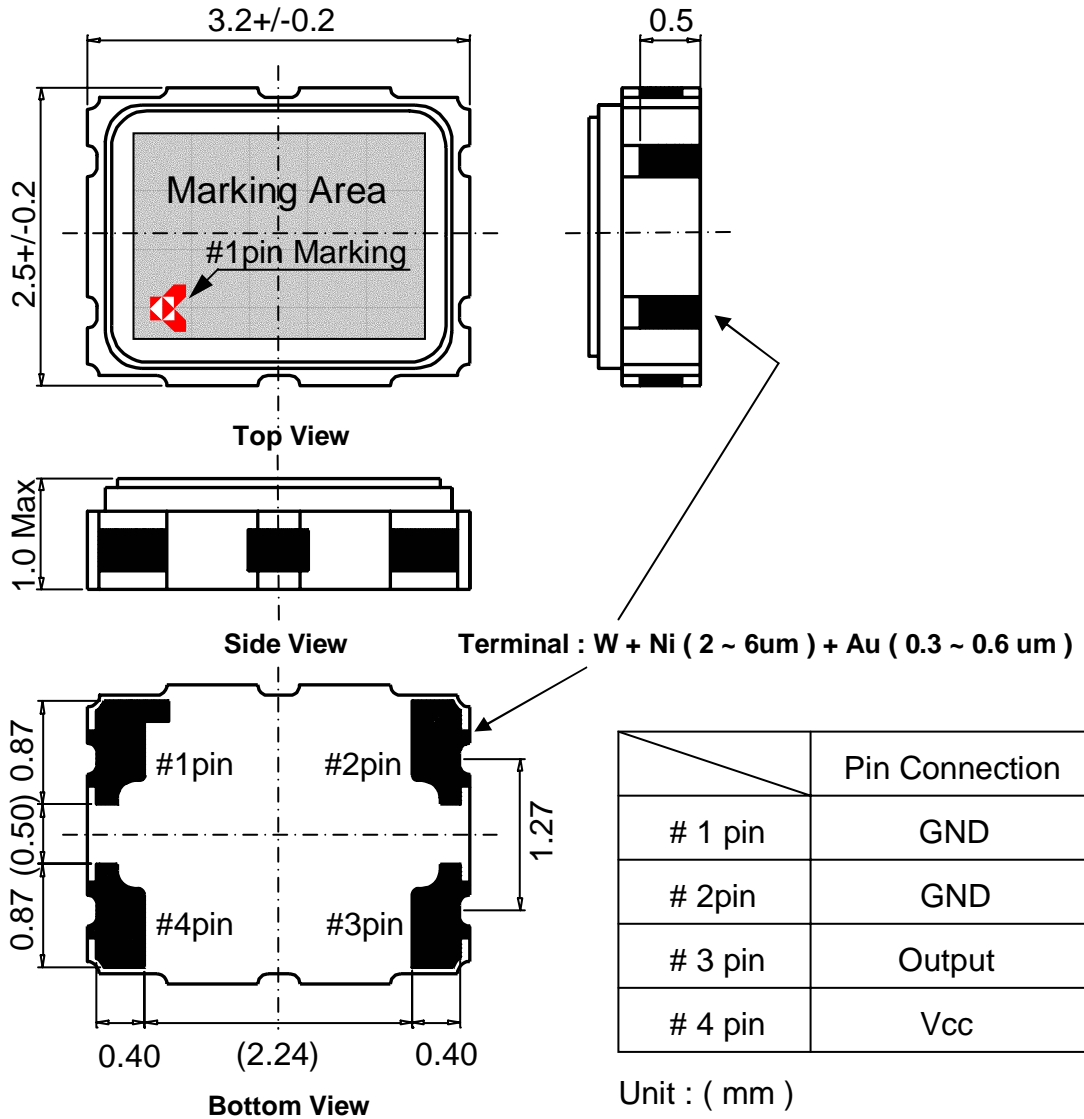
28 : Power Supply Voltage 2.8V (exp.)

T : Specification Number

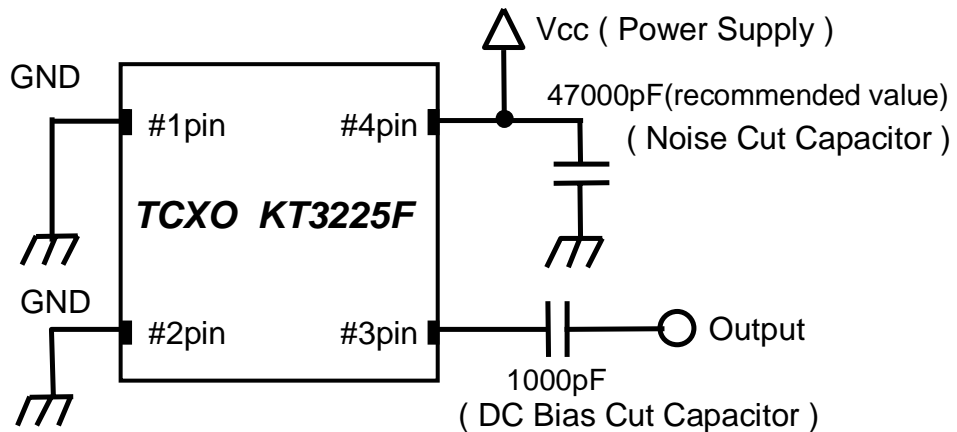
TCXO KT3225F Electrical Characteristics

Symbol	Item	Condition	Specification	Unit	Remarks
---	Power Supply Voltage Range		2.3 to 3.6	V	
Vcc	Power Supply Voltage		Vcc+/-5%	V	
F0	Nominal Frequency		27.456000	MHz	
Topr	Operating Temperature		-40 to +85	deg.C	
Tstg	Storage Temperature		-40 to +85	deg.C	
Vout	Output Voltage	Load:10pF/10kohm	0.8(min)	Vp-p	Ta=-40 to +85deg.C
Icc	Power Supply Current		1.5(max)	mA	
f0	Frequency Tolerance	Preset Frequency and after 2times reflow soldering	+/-2.0(max)	ppm	Ta=25+/-2deg.C
df/F	Frequency Stability	vs Temp -30 to +85deg.C	+/-0.5(max)	ppm	ref.:Ta=25deg.C
		vs Temp -40 to -30deg.C	+/-5.0(max)	ppm	ref.:Ta=25deg.C
		vs Load 10pF+/-10% 10kohm+/-10%	+/-0.2(max)	ppm	
		vs Voltage Vcc+/-5%	+/-0.1(max)	ppm	
---	Static Tem. hysteresis		+/-0.6(max)	ppm	
dfag	Frequency Aging Rate	Ta=25+/-2deg.C	+/-1.0(max)	ppm/Y	One Year
---	Harmonics		-8.0(max)	dBc	
---	SSB Carrier Noise	@1Hz offset	-50(max)	dBc/Hz	Ta=25+/-2deg.C
		@10Hz offset	-80(max)	dBc/Hz	
		@100Hz offset	-105(max)	dBc/Hz	
		@1KHz offset	-125(max)	dBc/Hz	
		@10KHz offset	-140(max)	dBc/Hz	

TCXO KT3225F Dimension & Pin Connections



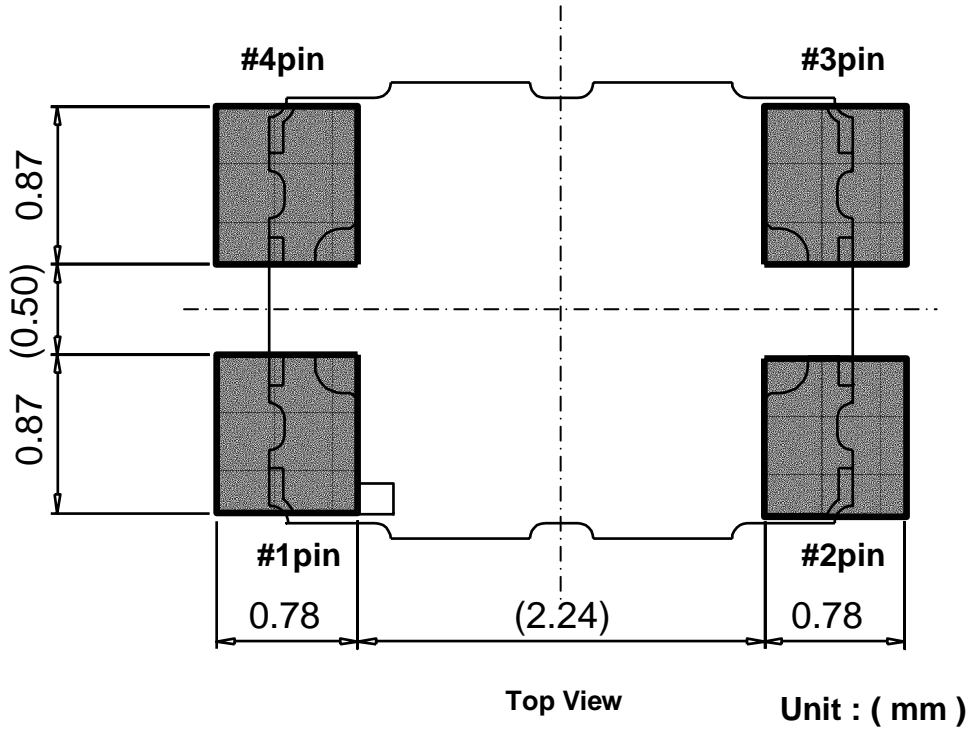
TCXO KT3225F Recommended Circuit



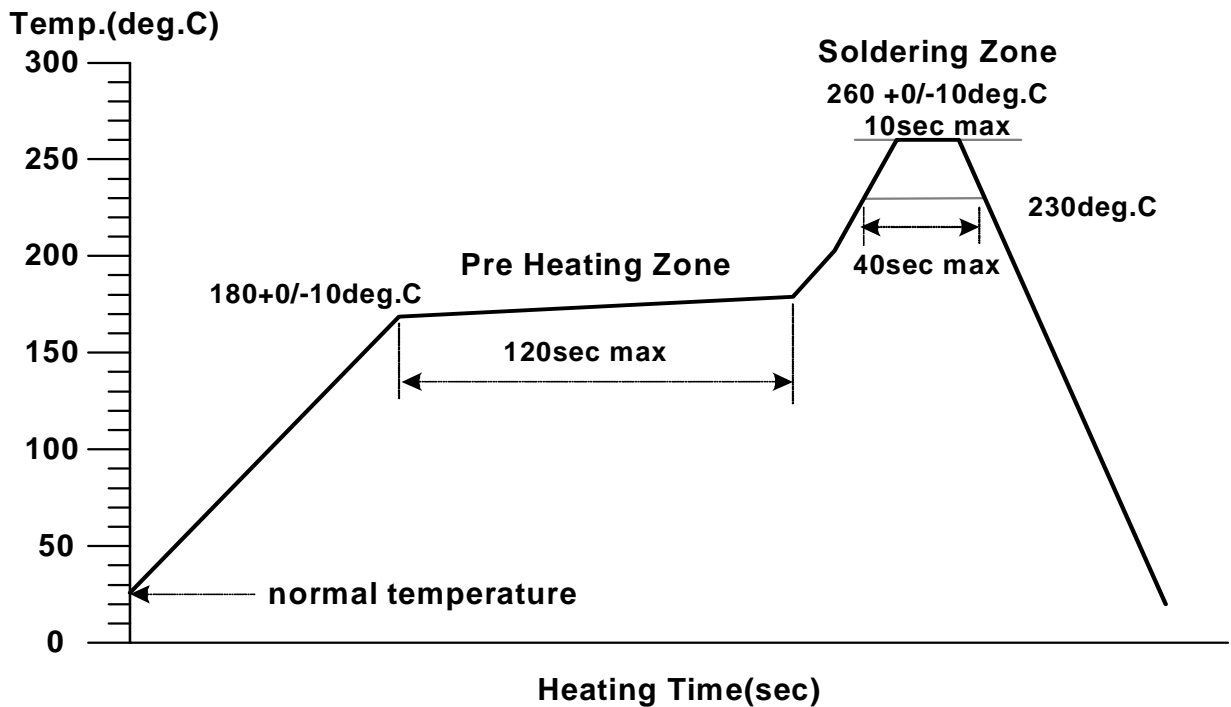
Note

Because Noise Cut Capacitor change by the set, please confirm it

TCXO KT3225F Recommended Land Pattern

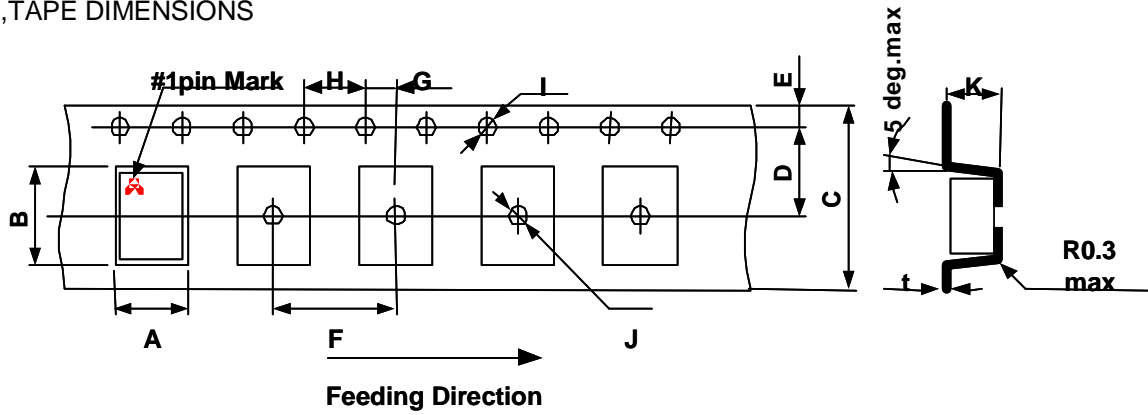


**TCXO KT3225F Recommended Reflow Soldering Condition
 (Lead Free Version)**



TCXO KT3225F TAPE&REEL SPEC

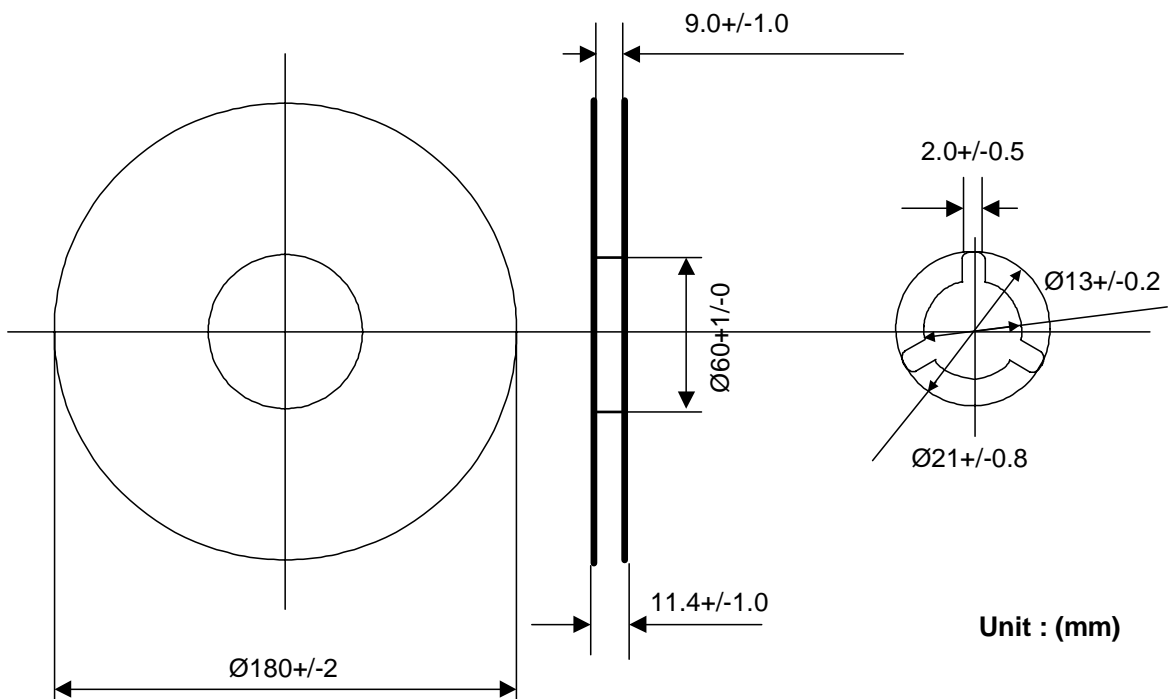
1, TAPE DIMENSIONS



Symbol	A	B	C	D	E
Dimension	2.8+/-0.1	3.5+/-0.1	8.0+/-0.3	3.5+/-0.05	1.75+/-0.1
Symbol	F	G	H	I	J
Dimension	4.0+/-0.1	2.0+/-0.05	4.0+/-0.1	F1.5+0.1/-0	F1.5+0.1/-0
Symbol	K	t			
Dimension	1.1+/-0.1	0.25+/-0.05			

Unit : (mm)

2. REELS DIMENSIONS



Unit : (mm)

REEL UNIT : 2000pcs / 1reel (MIN 500pcs / 1reel)