

Excellent Integrated System Limited

Stocking Distributor

Click to view price, real time Inventory, Delivery & Lifecycle Information:

[Honeywell Sensing and Productivity Solutions
17AC1-T](#)

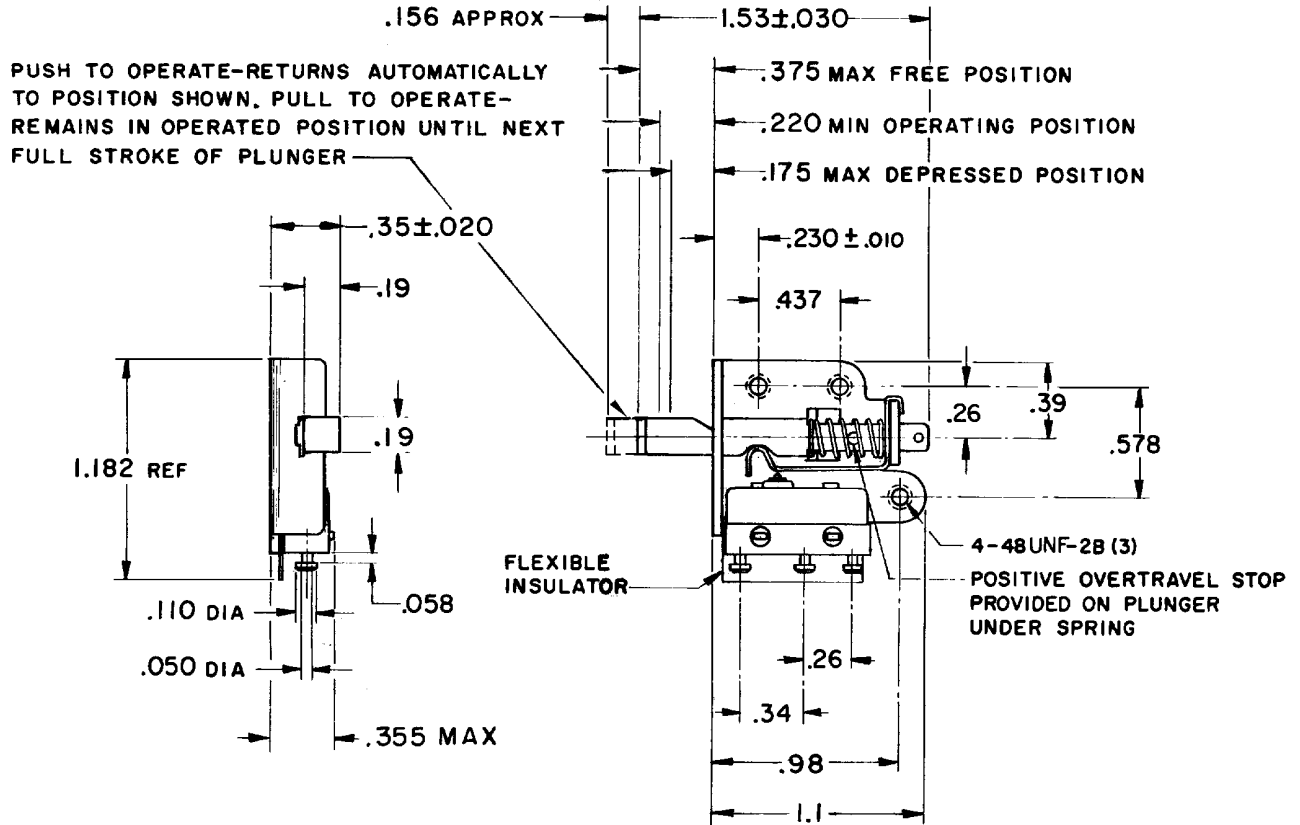
For any questions, you can email us directly:

sales@integrated-circuit.com

MICRO SWITCH
 A DIVISION OF MINNEAPOLIS-HONEYWELL REGULATOR COMPANY
 FREEPORT, ILLINOIS
 FED. MFR. CODE 91929

ASSEMBLY - SWITCH

CATALOG LISTING
17AC1-T



NOTE -
 1- UNIT INCLUDES CAT. LIST. IISMI -T BASIC SWITCH (1)
 2-NOTCH IN ACTUATOR PLUNGER WILL PERMIT .045 MAX DISPLACEMENT BETWEEN END OF PLUNGER AND HOLE IN BRACKET

M 17AC1-T

REPLACES

RELEASE NO. SR 7894

DRAWING NUMBER

ISSUE 10

CHECK

REVISIONS

| | | |
|---|------------|-----------|
| A | CORR | 6 NOV 58 |
| R | RER | 13 MAR 59 |
| B | CO13528 | 15 MAY 59 |
| C | CO14049 | 18 SEP 59 |
| D | CORR | 2 FEB 60 |
| E | CO15981 | 24 AUG 61 |
| F | CO16231 | 12 SEP 61 |
| G | CO23756 | 27 FEB 68 |
| H | CO2376 | 19 JUN 68 |
| J | CO-82803-B | 11 SEP 96 |

FORMTEK DRAWN

R. E. R 5 NOV 58

THIS DRAWING COVERS A PROPRIETARY ITEM AND IS THE PROPERTY OF MICRO SWITCH, A DIVISION OF MINNEAPOLIS-HONEYWELL REGULATOR CO. THIS DRAWING IS NOT TO BE COPIED OR USED WITHOUT THE APPROVAL OF MICRO SWITCH.

| CHARACTERISTICS | ELECTRICAL DATA | SCALE FULL |
|--|--|---|
| TOTAL TRAVEL | CONTACT ARRANGEMENT S P D T | DO NOT SCALE PRINT |
| © .156 APPROX PUSH DIRECTION .156 APPROX PULL DIRECTION | 250 VAC ----- 5 AMPS | UNLESS OTHERWISE SPECIFIED |
| FULL OVERTRAVEL FORCE --- 2 LBS APPROX | 30 VOLTS DC RATING | DIMENSIONS ARE IN INCHES |
| | INDUCTIVE ----- SEA LEVEL ----- 3 AMPS 50,000 FT. ----- 2.5 AMPS | TOLERANCES ARE: |
| | RESISTIVE ----- SEA LEVEL ----- 5 AMPS 50,000 FT. ----- 5 AMPS | ONE PLACE (.0) ±.030 TWO PLACE (.00) ±.015 THREE PLACE (.000) ±.005 ANGLES ± |
| | MAXIMUM INRUSH ----- 24 AMPS | WEIGHT .02 LBS APPROX |