

## Excellent Integrated System Limited

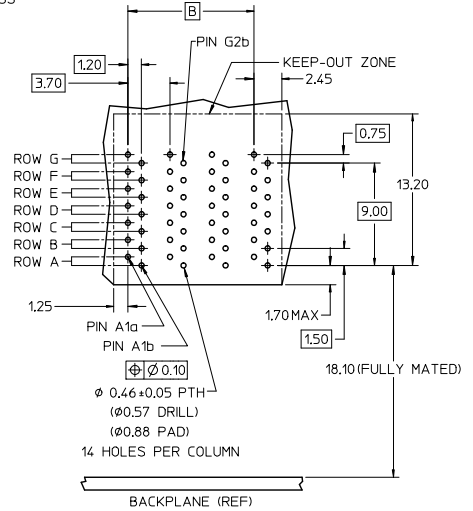
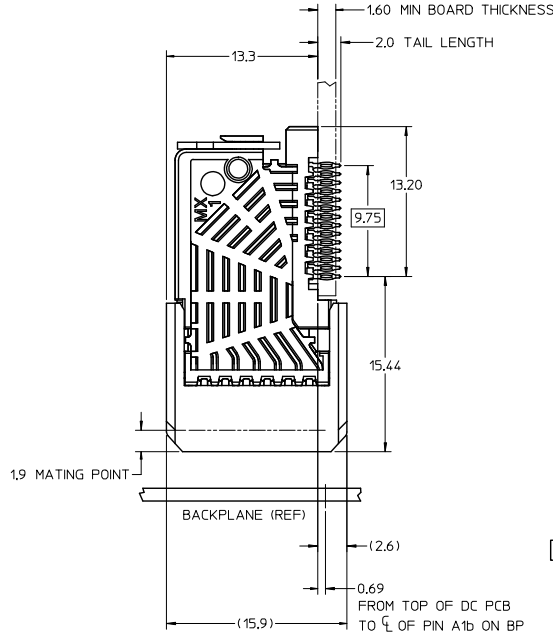
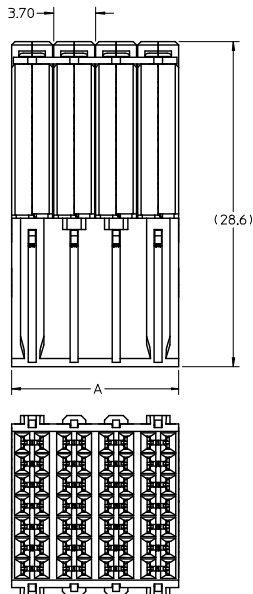
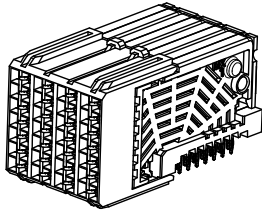
Stocking Distributor

Click to view price, real time Inventory, Delivery & Lifecycle Information:

[Molex Connector Corporation](#)  
[76020-1004](#)

For any questions, you can email us directly:

[sales@integrated-circuit.com](mailto:sales@integrated-circuit.com)



DAUGHTERCARD HOLE PATTERN  
(CONNECTOR SIDE)

NOTES:

- MATERIALS: HOUSING - LIQUID CRYSTAL POLYMER (LCP)  
GLASS-FILLED, UL 94V-0  
TERMINALS - HIGH PERFORMANCE COPPER ALLOY
- FINISH: SELECTIVE GOLD (Au) IN CONTACT AREA,  
SELECTIVE MATTE TIN (Sn) IN TAIL AREA,  
NICKEL (Ni) UNDERPLATE OVERALL.
- REFER TO MOLEX PRODUCT SPEC PS-75710-999 FOR PERFORMANCE SPECIFICATIONS.
- PRODUCT IS PACKAGED PER PK-70873-607.
- THIS PART CONFORMS TO CLASS B REQUIREMENTS OF COSMETIC SPEC PS-45499-002.
- MAPS (MOLEX ADVANCED PLATING SYSTEM).

ADD 50 GOLD EC NO: UCP2014-3112 DRAWING NO: 2014/01/28 CHK: KOSYANG APPR: SMILLER 2014/02/11	QUALITY SYMBOLS ∇=0 ∇=0 ∇=0	GENERAL TOLERANCES (UNLESS SPECIFIED)		DIMENSION STYLE MM ONLY		SCALE 4:1	DESIGN UNITS METRIC	THIRD ANGLE PROJECTION
		4 PLACES ± --- ± --- 3 PLACES ± --- ± --- 2 PLACES ± 0.13 ± --- 1 PLACE ± 0.25 ± --- 0 PLACE ± ±	mm INCH DRAWN BY: MCARRANZA DATE: 3/20/06 CHECKED BY: JLAURX DATE: 3/21/06 APPROVED BY: JLAURX DATE: 3/21/06	TITLE I-TRAC DAUGHTERCARD 7 ROW UNGUIDED SIGNAL MODULE		MATERIAL NO. DOCUMENT NO. SHEET NO. SEE CHART SD-76020-001 1 OF 2		
ANGLULAR ±1/2° DRAFT WHERE APPLICABLE MUST REMAIN WITHIN DIMENSIONS		THIS DRAWING CONTAINS INFORMATION THAT IS PROPRIETARY TO MOLEX INCORPORATED AND SHOULD NOT BE USED WITHOUT WRITTEN PERMISSION						

MATERIAL NUMBER	# OF COLUMNS	DIM. "A" MAX.	DIM. "B"
76020- $\ast 0 \ast 4$	4	14.80	11.10
76020- $\ast 0 \ast 6$	6	22.20	18.50
76020- $\ast 0 \ast 0$	10	37.00	33.30

76020- $\ast 0 \ast \ast$

MODULE STYLE AND TAIL PLATING TYPE  
 0 = UNGUIDED, MATTE TIN (FORMERLY TIN/LEAD)  
 1 = UNGUIDED, MATTE TIN

POLARIZATION KEY ORIENTATION  
 0 = NO KEY

# OF COLUMNS/PLATING  
 04 = 4 COL, 30 GOLD  
 06 = 6 COL, 30 GOLD  
 10 = 10 COL, 30 GOLD  
 44 = 4 COL, 10 GOLD (MAPS)  
 46 = 6 COL, 10 GOLD (MAPS)  
 40 = 10 COL, 10 GOLD (MAPS)  
 54 = 4 COL, 50 GOLD  
 56 = 6 COL, 50 GOLD  
 50 = 10 COL, 50 GOLD

SEE SHEET 1 EC NO: UCF204-312 DRAWN BY: DRINKWOLFE CHKD BY: CHIKOSWANG APPR: SMILLER	2014/01/28 2014/01/28 2014/02/11	QUALITY SYMBOLS ▽=0 ▽=0 ▽=0	GENERAL TOLERANCES (UNLESS SPECIFIED)		DIMENSION STYLE MM ONLY		SCALE 1:1	DESIGN UNITS METRIC	THIRD ANGLE PROJECTION				
				mm	INCH	DRAWN BY MCARRANZA	DATE 3/20/06	TITLE I-TRAC DAUGHTERCARD 7 ROW UNGUIDED SIGNAL MODULE <b>molex</b> MATERIAL NO. SD-76020-001 DOCUMENT NO. SD-76020-001 SHEET NO. 2 OF 2					
			4 PLACES	±	---	±	---					CHECKED BY JLAURX	DATE 3/21/06
			3 PLACES	±	---	±	---					APPROVED BY JLAURX	DATE 3/21/06
2 PLACES	±	0.13	±	---	ANGULAR ±1/2°								
1 PLACE	±	0.25	±	---	DRAFT WHERE APPLICABLE MUST REMAIN WITHIN DIMENSIONS		SEE CHART						
0 PLACE	±	---	±	---	THIS DRAWING CONTAINS INFORMATION THAT IS PROPRIETARY TO MOLEX INCORPORATED AND SHOULD NOT BE USED WITHOUT WRITTEN PERMISSION								