

## Excellent Integrated System Limited

Stocking Distributor

Click to view price, real time Inventory, Delivery & Lifecycle Information:

[Molex Connector Corporation](#)

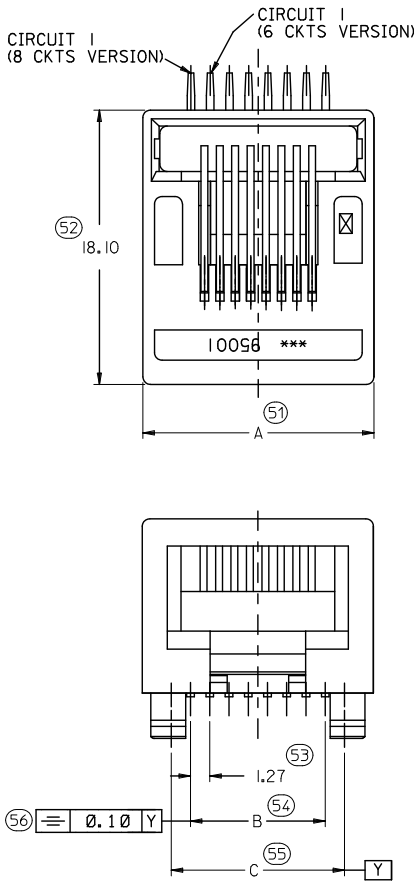
[0955016669](#)

For any questions, you can email us directly:

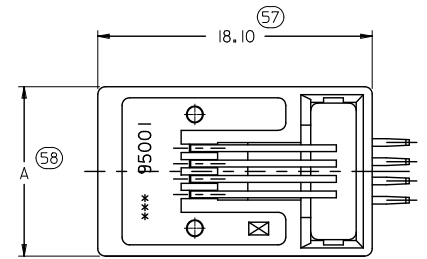
[sales@integrated-circuit.com](mailto:sales@integrated-circuit.com)

**6 & 8 VERSIONS**

8 VERSION SHOWN



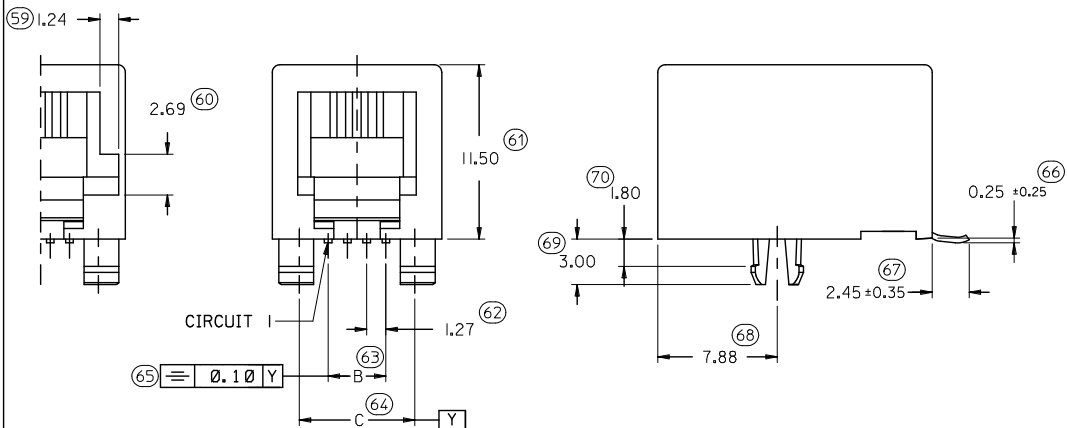
**4 VERSION ONLY**



**NOTES :**

- 1- MATERIAL:**  
-HOUSING: LCP GLASS FILLED UL 94V-0, COLOUR BLACK.  
**2- SEE OTHER NOTES SHEET 1**  
**3- COPLANARITY OF SIGNAL TAILS 0.10MM**  
INSPECTION NUMBERS USED: 51 - 100  
LAST INSPECTION NUMBER: 70

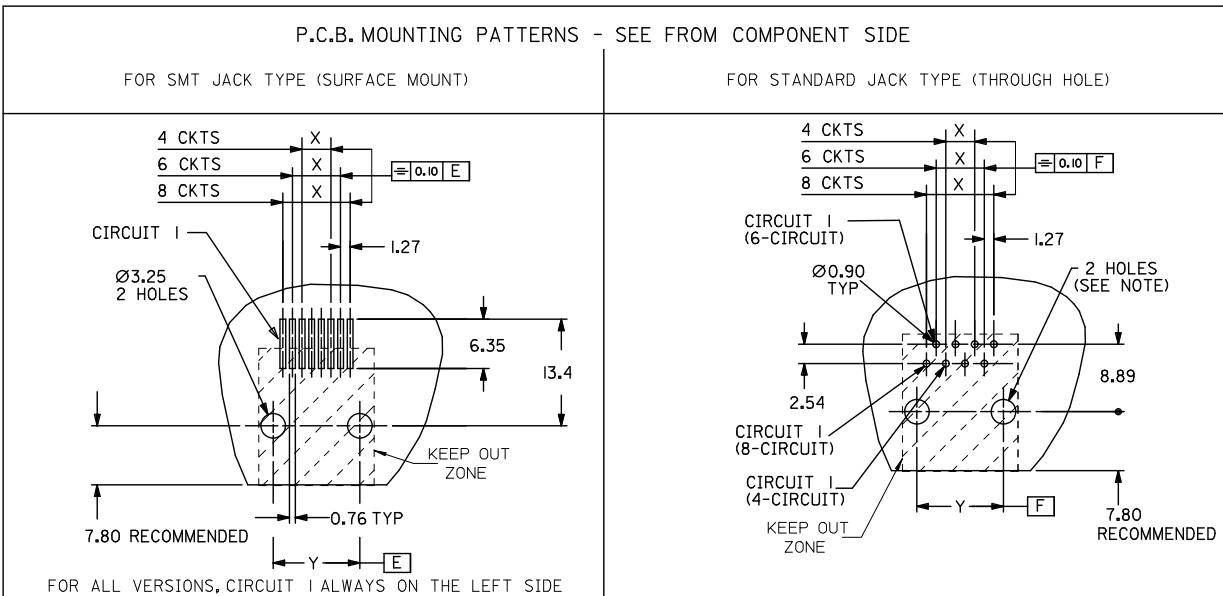
**OPTIONAL KEYING**



|  |                               |  |        |   |                        |              |                         |
|--|-------------------------------|--|--------|---|------------------------|--------------|-------------------------|
| REMOVED INCHES<br>EC NO: E2012-0079<br>DRAWN: JOCORROR 2011/02/23<br>CHKD: CHIKO<br>APPR: EFCULAN 2011/09/28 | QUALITY SYMBOLS<br>▽=0<br>▽=0 | GENERAL TOLERANCES (UNLESS SPECIFIED)                |        | DIMENSION STYLE   | SCALE                  | DESIGN UNITS | THIRD ANGLE PROJECTION  |
|  |                               | mm   | INCH   | MM ONLY   | 4:1                    | METRIC       | ☉                       |
|  |                               | 4 PLACES   | ± ---  | ± ---   | DRAWN BY               | DATE         | TITLE                   |
|  |                               | 3 PLACES   | ± ---  | ± ---   | DBYRNES                | 2006/08/02   | R/A LOW PROFILE         |
|  |                               | 2 PLACES   | ± 0.15 | ± ---   | CHECKED BY             | DATE         | PC JACK 4,6,8 CKTS SIZE |
|  |                               | 1 PLACE  | ± 0.25 | ± ---   | EOMAHONY               | 2006/08/12   | SMT VERSION             |
|  |                               | ANGULAR  | ± ---° | ± ---°  | APPROVED BY            | DATE         | MOLEX INCORPORATED      |
|  |                               | DRAFT WHERE APPLICABLE MUST REMAIN WITHIN DIMENSIONS |        | MATERIAL NO.  | SEE CHART SHEETS 4 & 5 | DOCUMENT NO. | SHEET NO.               |
|  |                               |  |        | SIZE  | A3                     | SD-95501-001 | 2 OF 5                  |
|  |                               |  |        | THIS DRAWING CONTAINS INFORMATION THAT IS PROPRIETARY TO MOLEX INCORPORATED AND SHOULD NOT BE USED WITHOUT WRITTEN PERMISSION |                        |              |                         |

10 9 8 7 6 5 4 3 2 1

| TYPE<br>DIM. | POS. 4  | POS. 6  |         | POS. 8  |
|--------------|---------|---------|---------|---------|
|              | 4 CKTS. | 4 CKTS. | 6 CKTS. | 8 CKTS. |
| Y ±0.05      | 7.62    | 10.16   | 10.16   | 11.43   |
| X ±0.05      | 3.81    | 3.81    | 6.35    | 8.89    |



**NOTE:**  
 FOR CONVECTION SOLDERING: DIA 3.25±0.05  
 FOR WAVE SOLDERING: DIA 3.20±0.10  
 ALL DIMENSIONS REF DIMENSIONS

| REMOVED INCHES<br>EC NO: E2012-0079<br>DRAWN: JOCONOR<br>CHKD: APPR: EFCU, AN<br>2011/02/23<br>2011/09/28                     | QUALITY SYMBOLS<br>▼=0<br>▽=0 | GENERAL TOLERANCES (UNLESS SPECIFIED)<br><table border="1" style="width: 100%; border-collapse: collapse;"> <thead> <tr> <th></th> <th>mm</th> <th>INCH</th> </tr> </thead> <tbody> <tr> <td>4 PLACES</td> <td>±---</td> <td>±---</td> </tr> <tr> <td>3 PLACES</td> <td>±---</td> <td>±---</td> </tr> <tr> <td>2 PLACES</td> <td>±0.15</td> <td>±---</td> </tr> <tr> <td>1 PLACE</td> <td>±0.25</td> <td>±---</td> </tr> <tr> <td>ANGULAR</td> <td>±---</td> <td>°</td> </tr> </tbody> </table> |  | mm   | INCH                | 4 PLACES | ±--- | ±--- | 3 PLACES | ±--- | ±--- | 2 PLACES | ±0.15 | ±--- | 1 PLACE | ±0.25 | ±--- | ANGULAR | ±--- | ° | DIMENSION STYLE<br>MM ONLY | SCALE<br>2:1 | DESIGN UNITS<br>METRIC | THIRD ANGLE PROJECTION |
|---|-------------------------------|---|--|--|---------------------|----------|------|------|----------|------|------|----------|-------|------|---------|-------|------|---------|------|---|----------------------------|--------------|------------------------|------------------------|
|   |                               | mm  | INCH                                   |  |                     |          |      |      |          |      |      |          |       |      |         |       |      |         |      |   |                            |              |                        |                        |
|   | 4 PLACES                      | ±---  | ±---                                   |  |                     |          |      |      |          |      |      |          |       |      |         |       |      |         |      |   |                            |              |                        |                        |
|   | 3 PLACES                      | ±---  | ±---                                   |  |                     |          |      |      |          |      |      |          |       |      |         |       |      |         |      |   |                            |              |                        |                        |
| 2 PLACES  | ±0.15                         | ±---  |  |  |                     |          |      |      |          |      |      |          |       |      |         |       |      |         |      |   |                            |              |                        |                        |
| 1 PLACE   | ±0.25                         | ±---  |  |  |                     |          |      |      |          |      |      |          |       |      |         |       |      |         |      |   |                            |              |                        |                        |
| ANGULAR   | ±---                          | °   |  |  |                     |          |      |      |          |      |      |          |       |      |         |       |      |         |      |   |                            |              |                        |                        |
| DRAFT WHERE APPLICABLE MUST REMAIN WITHIN DIMENSIONS  |                               | DRAWN BY: DBYRNES<br>CHECKED BY: EOMAHONY<br>APPROVED BY: EOMAHONY<br>DATE: 2006/08/02<br>DATE: 2006/08/12<br>DATE: 2006/08/12  | MATERIAL NO.<br>SEE CHART SHEETS 4 & 5 | TITLE<br>R/A LOW PROFILE JACK<br>PC JACK 4,6,8 CKT SIZE<br>SMT AND STANDARD VERSION<br><b>MOLEX INCORPORATED</b> |                     |          |      |      |          |      |      |          |       |      |         |       |      |         |      |   |                            |              |                        |                        |
| THIS DRAWING CONTAINS INFORMATION THAT IS PROPRIETARY TO MOLEX INCORPORATED AND SHOULD NOT BE USED WITHOUT WRITTEN PERMISSION |                               | DOCUMENT NO.<br><b>SD-95501-001</b>   |  |  | SHEET NO.<br>3 OF 5 |          |      |      |          |      |      |          |       |      |         |       |      |         |      |   |                            |              |                        |                        |
| THIS DRAWING CONTAINS INFORMATION THAT IS PROPRIETARY TO MOLEX INCORPORATED AND SHOULD NOT BE USED WITHOUT WRITTEN PERMISSION |                               |   |  |  |                     |          |      |      |          |      |      |          |       |      |         |       |      |         |      |   |                            |              |                        |                        |

9 8 7 6 5 4 3 2 1

10 9 8 7 6 5 4 3 2 1

**SPECIAL PACKAGING TUBE, SEE PACKAGING SPEC PK95001 SHEET 3**

PART NO FOR JACK ASSEMBLY  
**THROUGH HOLE VERSION**

PART NO FOR JACK ASSEMBLY  
**SMT VERSION**

| HOUSING SIZE | LOADED CONTACTS |
|--------------|-----------------|
| 4            | 4               |
| 6            | 4               |
| 6            | 6               |
| 8            | 8               |

LCP GLASS FILED 94V0, COLOR BLACK.

| NO KEY     | TOOLED | KEY        | TOOLED | TOOLED | TOOLED |
|------------|--------|------------|--------|--------|--------|
| NOT RIBBED | TOOLED | NOT RIBBED | TOOLED | TOOLED | TOOLED |
| 95501-2401 | X      |            |        |        |        |
| 95501-2601 | X      |            |        |        |        |
| 95501-2611 | X      |            |        |        |        |
| 95501-2821 | X      |            |        |        |        |

LCP GLASS FILLED 94V0 COLOUR BLACK

| NO KEY     | TOOLED | KEY        | TOOLED | NO KEY     | TOOLED | KEY        | TOOLED |
|------------|--------|------------|--------|------------|--------|------------|--------|
| NOT RIBBED | TOOLED | NOT RIBBED | TOOLED | NOT RIBBED | TOOLED | NOT RIBBED | TOOLED |
| 95501-6449 | X      |            |        |            |        |            |        |
| 95501-6649 | X      |            |        |            |        |            |        |
| 95501-6669 | X      |            |        |            |        |            |        |
| 95501-6889 | X      | 95501-6890 | X      |            |        |            |        |

|   |  |   |   |  |  |                           |                              |                     |  |
|---|--|---|---|--|--|---------------------------|------------------------------|---------------------|--|
| <b>REMOVED OPTIONS</b><br>EC NO: IPG2012-0602<br>DRAWN BY: DBYRNES 2012/03/30<br>CHKD BY: SHAMHAN 2012/03/30<br>APPR: EFOLAN 2012/06/26 | QUALITY SYMBOLS<br>▼=0<br>▽=0                        | GENERAL TOLERANCES (UNLESS SPECIFIED)<br>mm INCH<br>4 PLACES ± --- ± ---<br>3 PLACES ± --- ± ---<br>2 PLACES ± --- ± ---<br>1 PLACE ± --- ± ---<br>ANGULAR ± ---° | DIMENSION STYLE<br>MM ONLY<br>DRAWN BY: DBYRNES DATE: 2006/08/02<br>CHECKED BY: EOMAHONY DATE: 2006/08/12<br>APPROVED BY: EOMAHONY DATE: 2006/08/12 | SCALE: ---<br>DESIGN UNITS: METRIC<br>THIRD ANGLE PROJECTION | TITLE:<br>LOW PROFILE R/A JACK<br>STANDARD AND SMT VERSION<br>TUBE PACKAGING<br>MOLEX INCORPORATED | MATERIAL NO.<br>SEE CHART | DOCUMENT NO.<br>SD-95501-001 | SHEET NO.<br>5 OF 5 |  |
|   | DRAFT WHERE APPLICABLE MUST REMAIN WITHIN DIMENSIONS |   | THIS DRAWING CONTAINS INFORMATION THAT IS PROPRIETARY TO MOLEX INCORPORATED AND SHOULD NOT BE USED WITHOUT WRITTEN PERMISSION                       |  |  |                           |                              |                     |  |
|   |  |   |   |  |  |                           |                              |                     |  |
|   |  |   |   |  |  |                           |                              |                     |  |

9 8 7 6 5 4 3 2 1