

Excellent Integrated System Limited

Stocking Distributor

Click to view price, real time Inventory, Delivery & Lifecycle Information:

[Molex Connector Corporation](#)
[0955032881](#)

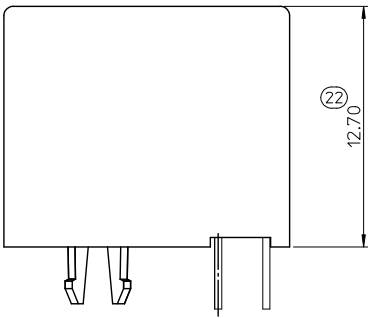
For any questions, you can email us directly:

sales@integrated-circuit.com

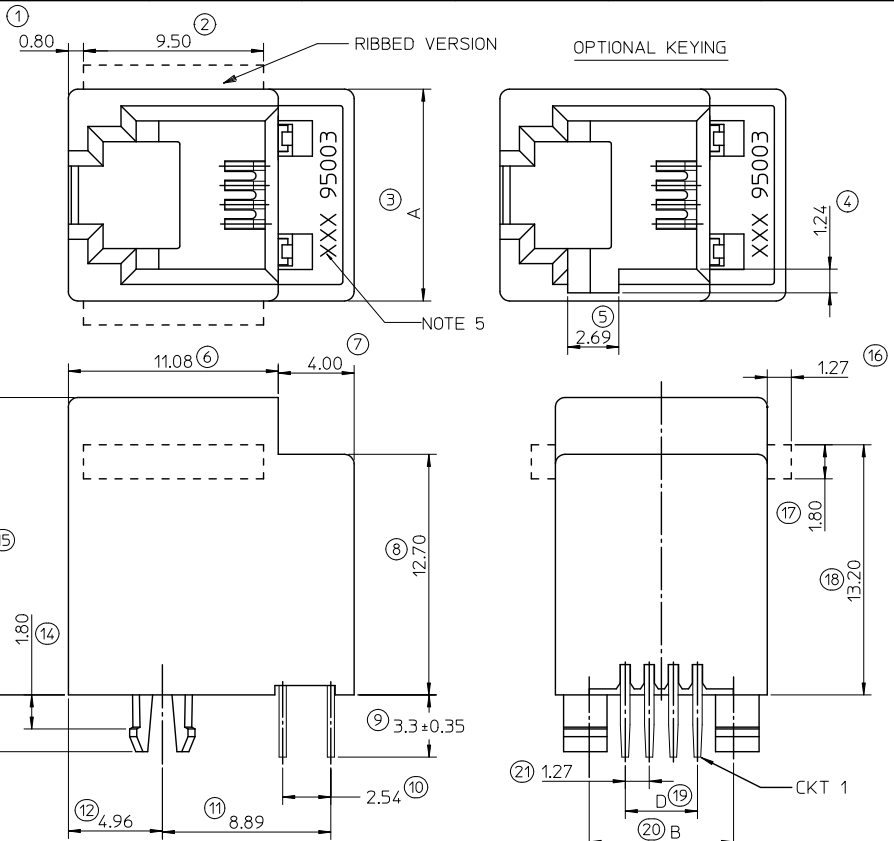
NOTES :

- 1- MATERIAL:
 - HOUSING: LCP FIBER GLASS FILLED UL 94-V0
COLOR BLACK.
 - TERMINAL: COPPER ALLOY
 - BASE FINISH: NICKEL
 - CONTACT SURFACE FINISH
GOLD
OR
GOLD FLASH OVER PALLADIUM NICKEL
EXCEEDS PRODUCT REQUIREMENTS BASED ON PS-95503-001
 - 2- JACK FOR MATING WITH F.C.C. 68 PLUGS
90075 MOLEX SERIES.
 3. P.C.B. THICKNESS: 1.57
 - 4- PRODUCT SPECIFICATION PS-95503-001
 - 5- PACKAGING SPECIFICATION:
 - STANDARD PACKAGING PK-95003 SHEET 1.
 - TUBE PACKAGING FOR SMT VERSION PK-95003 SHEET 2.
 - TUBE PACKAGING FOR THROUGH HOLE VERSION
PK-95003 SHEET 3.
 - TAPE AND REEL PACKAGING FOR THROUGH HOLE PK-95503-001.
 - 6- MANUFACTURING I.D. CAN BE MXF, MG OR MXI.
- INSPECTION NUMBERS USED: 1 - 50
LAST INSPECTION NUMBER: 22

TYPE	POS. 4		POS. 6		POS. 8
	4 CKTS.	4 CKTS.	6 CKTS.	8 CKTS.	8 CKTS.
A	11.18	13.21	13.21	15.24	
B	7.62	10.16	10.16	11.43	
D	3.81	3.81	6.35	8.89	



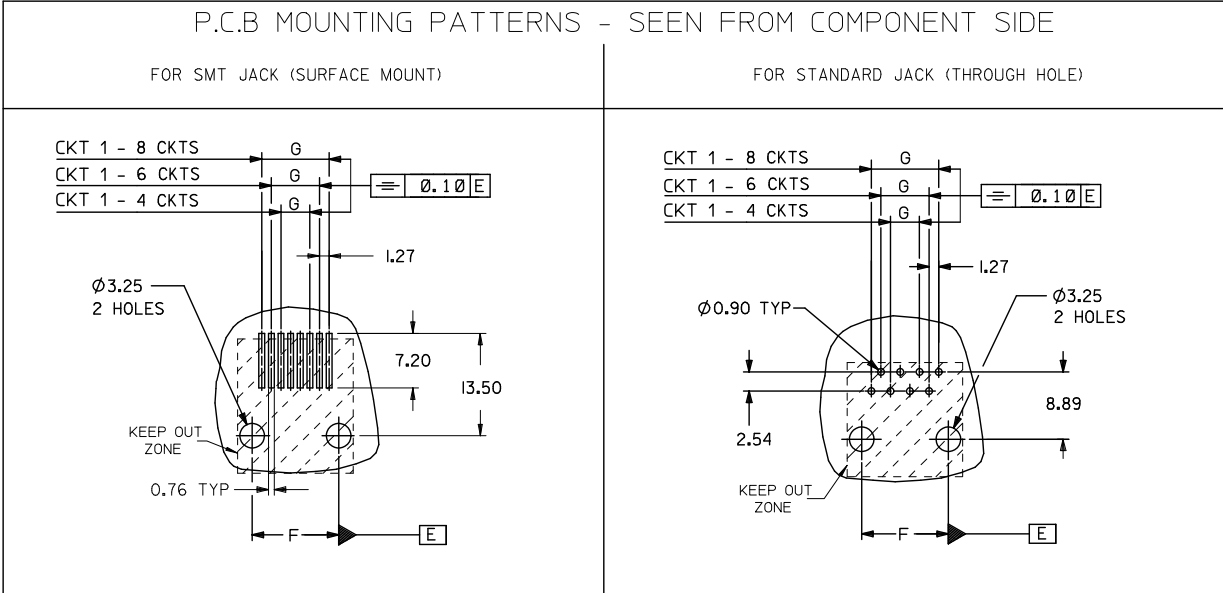
SHORT VERSION



MODIFIED PLATING OPTION EC NO.: IFG2012-0589 DR: RANBYRNES 2012/03/29 CHK: DASHAMHAN 2012/03/30 APPR: EFULAN 2012/06/28	QUALITY SYMBOLS	GENERAL TOLERANCES (UNLESS SPECIFIED)	DIMENSION STYLE	SCALE	DESIGN UNITS	THIRD ANGLE PROJECTION
	▼=0 ▽=0	4 PLACES ± --- ± --- 3 PLACES ± --- ± --- 2 PLACES ± 0.15 ± --- 1 PLACE ± 0.25 ± --- ANGULAR ± 5°	MM ONLY	5:1	METRIC	☉ ☐ THIRD ANGLE PROJECTION
	DRAFT WHERE APPLICABLE MUST REMAIN WITHIN DIMENSIONS	DRAWN BY: MARTIN DATE: 2005/06/15 CHECKED BY: FCARABETTA DATE: 2005/06/15 APPROVED BY: KNOLLER DATE: 2005/06/15	TITLE	LOW PROFILE TOP ENTRY JACK (THROUGH HOLE VERSION)		
	MATERIAL NO. SEE SHT 4,5	DOCUMENT NO. SD-95503-003	MOLEX INCORPORATED			

10 9 8 7 6 5 4 3 2 1

TYPE DIM.	POS. 4	POS. 6		POS. 8
	4 CKTS.	4 CKTS.	6 CKTS.	8 CKTS.
F ±0.05	7.62	10.16	10.16	11.43
G ±0.05	3.81	3.81	6.35	8.89



NOTES:
ALL DIMENSIONS REF DIMENSIONS

REMOVED INCHES EC NO: E2012-0079 2011/03/04 DRAWN: JOCUNOR 2011/09/28 CHKD: APPR: EFO, AN	QUALITY SYMBOLS	GENERAL TOLERANCES (UNLESS SPECIFIED) 4 PLACES ± --- ± --- 3 PLACES ± --- ± --- 2 PLACES ± 0.15 ± --- 1 PLACE ± 0.25 ± --- ANGULAR ± .5 °	DIMENSION STYLE MM ONLY	SCALE 1:1	DESIGN UNITS METRIC	THIRD ANGLE PROJECTION
	▼=0 ▽=0		DRAWN BY DATE MARTIN 2005/06/15 CHECKED BY DATE FCARABETTA 2005/06/15 APPROVED BY DATE KNOLLER 2005/06/15 MATERIAL NO. SEE SHT. 4, 5 SIZE A3	TITLE LOW PROFILE T/E JACK MOLEX INCORPORATED DOCUMENT NO. SD-95503-003 SHEET NO. 3 OF 5		

9 8 7 6 5 4 3 2 1

10 9 8 7 6 5 4 3 2 1

HOUSING SIZE	LOADED CONTACTS
4	4
6	4
6	6
8	8

PART NO FOR JACK ASSEMBLY THROUGH HOLE STANDARD VERSION					
LCP FIBER GLASS FILLED 94V0 COLOR BLACK					
NO KEY	TOOLED	KEY	TOOLED		TOOLED
NO RIB	TOOLED	NO RIB	TOOLED		TOOLED
95503-2441	X				
95503-2641	X				
95503-2661	X				
95503-2881	X	95503-2882	X		

TRAY PACKAGING
SEE PACKAGING SPEC PK-95003 SHEET 1

PART NO FOR JACK ASSEMBLY THROUGH HOLE SHORT VERSION					
LCP FIBER GLASS FILLED 94V0 COLOR BLACK					
NO KEY	TOOLED	KEY	TOOLED		TOOLED
NO RIB	TOOLED	NO RIB	TOOLED		TOOLED
95503-2884	X				

TRAY PACKAGING
SEE PACKAGING SPEC PK-95003 SHEET 1

PART NO FOR JACK ASSEMBLY THROUGH HOLE STANDARD VERSION					
LCP FIBER GLASS FILLED 94V0 COLOR BLACK					
NO KEY	TOOLED	KEY	TOOLED		TOOLED
NO RIB	TOOLED	NO RIB	TOOLED		TOOLED
95503-2440	X				
95503-2640					
95503-2660					
95503-2880	X				

TAPE AND REEL PACKAGING
SEE PACKAGING SPEC PK-95503 SHEET 1

TOOLED	<input checked="" type="checkbox"/>
NOT TOOLED	<input type="checkbox"/>

NOTES:
PLATING: SEE SHEET ONE

ADDED PLATING OPTION EC NO: IPG2013-0151 DRAWN BY: BRYANES 2012/07/31 CHKD: SIOGHEEY 2012/07/31 APPR: WALLACE 2012/07/31	QUALITY SYMBOLS	GENERAL TOLERANCES (UNLESS SPECIFIED)	DIMENSION STYLE	SCALE	DESIGN UNITS	THIRD ANGLE PROJECTION
	▼=0 ▽=0	mm INCH 4 PLACES ± --- ± --- 3 PLACES ± --- ± --- 2 PLACES ± --- ± --- 1 PLACE ± --- ± --- ANGULAR ± ---°	MM ONLY	---	METRIC	<input checked="" type="checkbox"/> <input type="checkbox"/>
	REV	DRAFT WHERE APPLICABLE MUST REMAIN WITHIN DIMENSIONS	DRAWN BY DATE TMARTIN 2005/06/16 CHECKED BY DATE FCARABETTA 2005/06/16 APPROVED BY DATE KNOLLER 2005/06/16	TITLE LOW PROFILE T/E JACK THROUGH HOLE VERS.		
	G	SEE CHART	MATERIAL NO. MOLEX INCORPORATED	DOCUMENT NO. SD-95503-003	SHEET NO. 4 OF 5	

THIS DRAWING CONTAINS INFORMATION THAT IS PROPRIETARY TO MOLEX INCORPORATED AND SHOULD NOT BE USED WITHOUT WRITTEN PERMISSION

9 8 7 6 5 4 3 2 1