

Excellent Integrated System Limited

Stocking Distributor

Click to view price, real time Inventory, Delivery & Lifecycle Information:

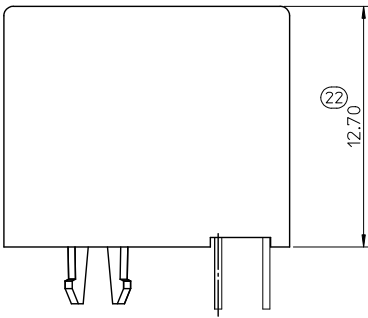
[Molex Connector Corporation](#)
[95503-6891](#)

For any questions, you can email us directly:
sales@integrated-circuit.com

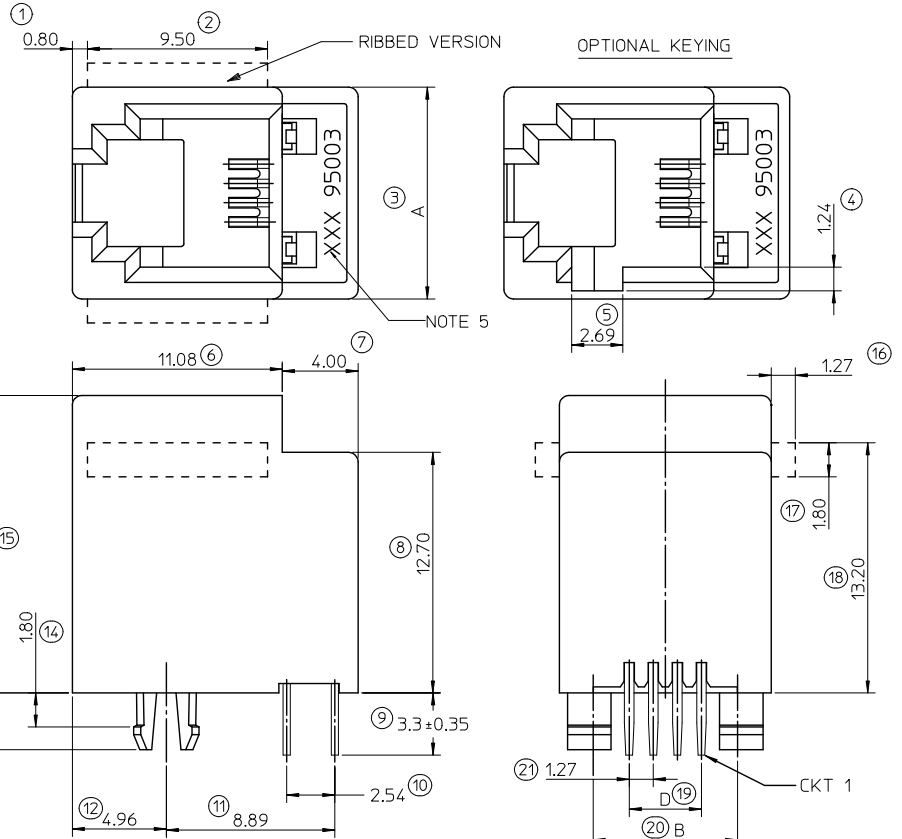
NOTES :

- 1- MATERIAL:
 - HOUSING: LCP FIBER GLASS FILLED UL 94-V0
 - COLOR BLACK.
 - TERMINAL: COPPER ALLOY
 - BASE FINISH: NICKEL
 - CONTACT SURFACE FINISH: GOLD
 - OR
 - GOLD FLASH OVER PALLADIUM NICKEL
 - EXCEEDS PRODUCT REQUIREMENTS BASED ON PS-95503-001
 - 2- JACK FOR MATING WITH F.C.C. 68 PLUGS 90075 MOLEX SERIES.
 3. P.C.B. THICKNESS: 1.57
 - 4- PRODUCT SPECIFICATION PS-95503-001
 - 5- PACKAGING SPECIFICATION:
 - STANDARD PACKAGING PK-95003 SHEET 1.
 - TUBE PACKAGING FOR SMT VERSION PK-95003 SHEET 2.
 - TUBE PACKAGING FOR THROUGH HOLE VERSION PK-95003 SHEET 3.
 - TAPE AND REEL PACKAGING FOR THROUGH HOLE PK-95503-001.
 - 6- MANUFACTURING I.D. CAN BE MXF, MG OR MXI.
- INSPECTION NUMBERS USED: 1 - 50
LAST INSPECTION NUMBER: 22

TYPE	POS. 4		POS. 6		POS. 8
	4 CKTS.	4 CKTS.	6 CKTS.	6 CKTS.	8 CKTS.
A	11.18	13.21	13.21	13.21	15.24
B	7.62	10.16	10.16	10.16	11.43
D	3.81	3.81	6.35	6.35	8.89



SHORT VERSION



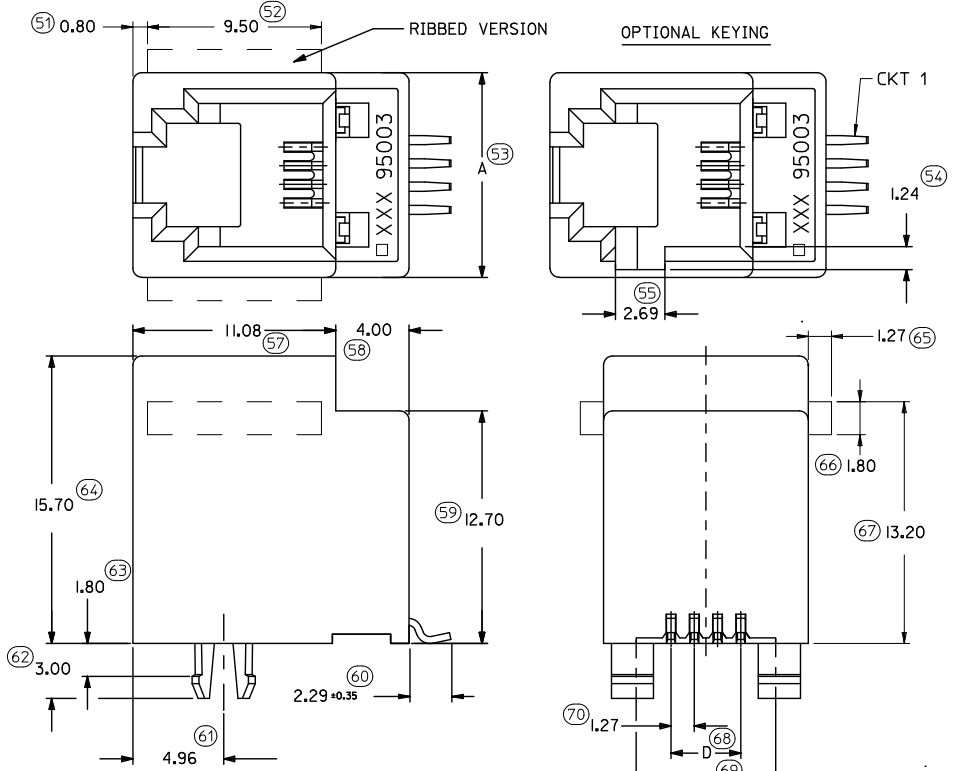
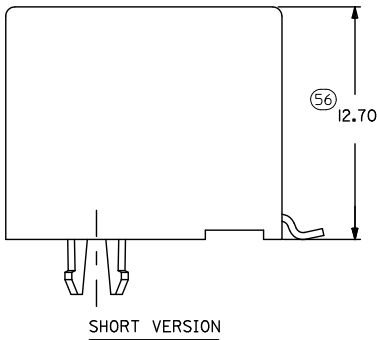
MODIFIED PLATING OPTION EC NO.: ICG2012-0589 DR: RANIBYRNES 2012/03/29 CHK: KASHANAN 2012/03/30 APPR: EFULAN 2012/06/28	QUALITY SYMBOLS	GENERAL TOLERANCES (UNLESS SPECIFIED)	DIMENSION STYLE	SCALE	DESIGN UNITS	THIRD ANGLE PROJECTION	
	▽=0 ▽=0	4 PLACES ± --- ± --- 3 PLACES ± --- ± --- 2 PLACES ± 0.15 ± --- 1 PLACE ± 0.25 ± --- ANGULAR ± 5°	MM ONLY	5:1	METRIC	☉ ☐ THIRD ANGLE PROJECTION	
	DRAWN BY: MARTIN CHECKED BY: FCARABETTA APPROVED BY: KNOLLER	DATE: 2005/06/15 DATE: 2005/06/15 DATE: 2005/06/15	MATERIAL NO.: SEE SHT 4,5 SIZE: A3	TITLE: LOW PROFILE TOP ENTRY JACK (THROUGH HOLE VERSION) MOLEX INCORPORATED DOCUMENT NO.: SD-95503-003 SHEET NO.: 1 OF 5	THIS DRAWING CONTAINS INFORMATION THAT IS PROPRIETARY TO MOLEX INCORPORATED AND SHOULD NOT BE USED WITHOUT WRITTEN PERMISSION		

NOTES :

1- MATERIAL:

- HOUSING: L C P FIBER GLASS FILLED UL 94-V0
COLOR BLACK
- 2- APPLICATION SPECIFICATION: AS-85513-001 (SMT)
- 3- SEE OTHER NOTES SHEET 1.
- 4- COPLANARITY OF SIGNAL TAILS 0.1mm MAX
RELEVANT TO EACH OTHER.

INSPECTION NUMBERS USED: 51 - 100
LAST INSPECTION NUMBER: 70

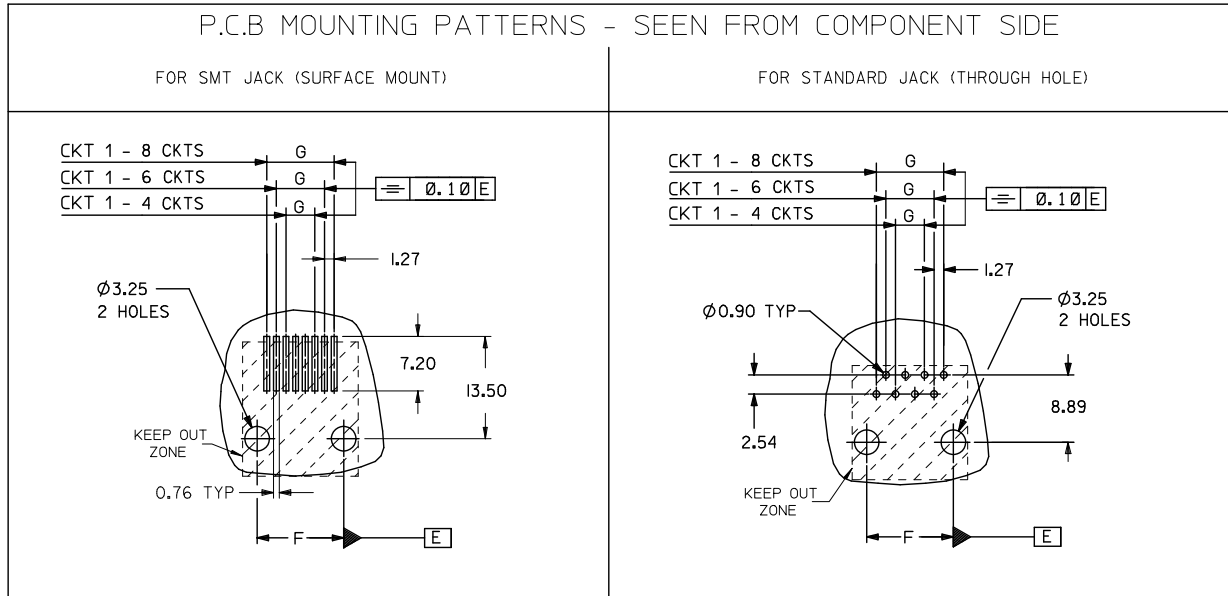


DIM.	TYPE	POS. 4		POS. 6		POS. 8	
		4 CKTS.	4 CKTS.	6 CKTS.	6 CKTS.	8 CKTS.	8 CKTS.
A		11.18	13.21	13.21	15.24		
B		7.62	10.16	10.16	11.43		
D		3.81	3.81	6.35	8.89		

REMOVED INCHES EC NO: E2012-0079 DRAWN: CONNOR 2011/03/04 CHKD: APPRECIAN 2011/09/28 REV: DESCRIPTION	QUALITY SYMBOLS	GENERAL TOLERANCES (UNLESS SPECIFIED)	DIMENSION STYLE MM ONLY	SCALE 5:1	DESIGN UNITS METRIC	THIRD ANGLE PROJECTION
	▽=0	4 PLACES ± --- ± ---	DRAWN BY T.MARTIN	DATE 2005/06/19	TITLE LOW PROFILE T/E JACK (SMT VERSION)	
	∇=0	3 PLACES ± --- ± ---	CHECKED BY F.CARABETTA	DATE 2005/06/19		
		2 PLACES ± 0.15 ± ---	APPROVED BY KNOLLER	DATE 2005/06/19	MATERIAL NO. SEE SHT. 4, 5	
	1 PLACE ± 0.25 ± ---	ANGULAR ± 5 °	DOCUMENT NO. SD-95503-003		SHEET NO. 2 OF 5	
DRAFT WHERE APPLICABLE MUST REMAIN WITHIN DIMENSIONS			MATERIAL NO. SEE SHT. 4, 5			
SIZE A 3 THIS DRAWING CONTAINS INFORMATION THAT IS PROPRIETARY TO MOLEX INCORPORATED AND SHOULD NOT BE USED WITHOUT WRITTEN PERMISSION						

10 9 8 7 6 5 4 3 2 1

TYPE DIM.	POS. 4	POS. 6		POS. 8
	4 CKTS.	4 CKTS.	6 CKTS.	8 CKTS.
F ±0.05	7.62	10.16	10.16	11.43
G ±0.05	3.81	3.81	6.35	8.89



NOTES:
ALL DIMENSIONS REF DIMENSIONS

REMOVED INCHES EC NO: E2012-0079 2011/03/04 DRAWN: JOCONOR 2011/09/28 CHKD: APPR: EFO, AN	QUALITY SYMBOLS	GENERAL TOLERANCES (UNLESS SPECIFIED) <table border="1"> <tr> <th></th> <th>mm</th> <th>INCH</th> </tr> <tr> <td>4 PLACES</td> <td>± ---</td> <td>± ---</td> </tr> <tr> <td>3 PLACES</td> <td>± ---</td> <td>± ---</td> </tr> <tr> <td>2 PLACES</td> <td>± 0.15</td> <td>± ---</td> </tr> <tr> <td>1 PLACE</td> <td>± 0.25</td> <td>± ---</td> </tr> <tr> <td colspan="3">ANGULAR ± .5 °</td> </tr> </table>		mm	INCH	4 PLACES	± ---	± ---	3 PLACES	± ---	± ---	2 PLACES	± 0.15	± ---	1 PLACE	± 0.25	± ---	ANGULAR ± .5 °			DIMENSION STYLE	SCALE	DESIGN UNITS	THIRD ANGLE PROJECTION LOW PROFILE T/E JACK MOLEX INCORPORATED DOCUMENT NO. SD-95503-003 SHEET NO. 3 OF 5
			mm	INCH																				
	4 PLACES		± ---	± ---																				
	3 PLACES		± ---	± ---																				
2 PLACES	± 0.15	± ---																						
1 PLACE	± 0.25	± ---																						
ANGULAR ± .5 °																								
▼=0	MM ONLY	1:1	METRIC																					
▽=0	DRAWN BY DATE	TITLE																						
	CHECKED BY DATE																							
	APPROVED BY DATE																							
	MATERIAL NO.																							
	SEE SHT. 4, 5																							
	THIS DRAWING CONTAINS INFORMATION THAT IS PROPRIETARY TO MOLEX INCORPORATED AND SHOULD NOT BE USED WITHOUT WRITTEN PERMISSION																							

9 8 7 6 5 4 3 2 1

