

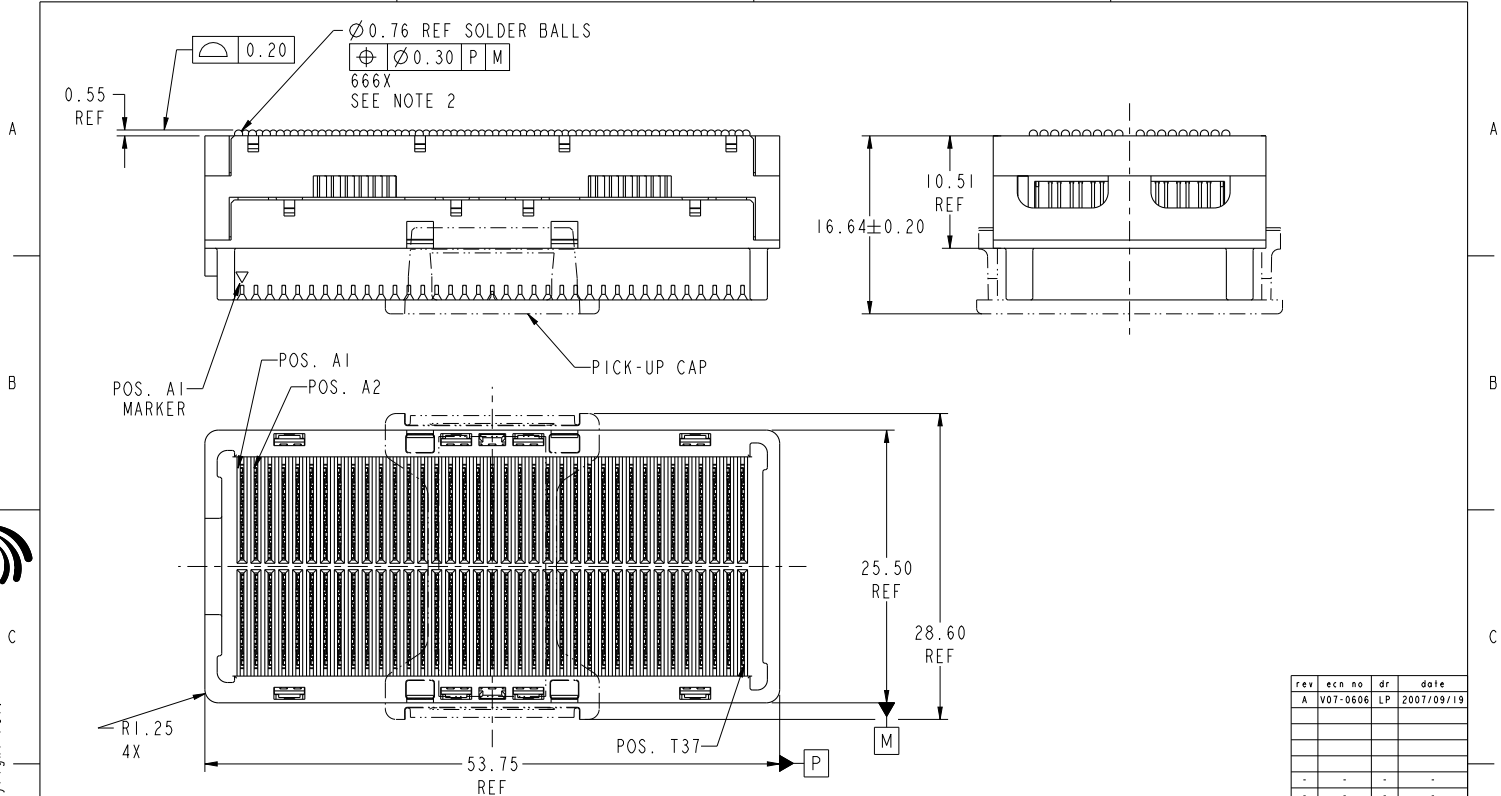
Excellent Integrated System Limited

Stocking Distributor

Click to view price, real time Inventory, Delivery & Lifecycle Information:

[FCI](#)
[10081497-001](#)

For any questions, you can email us directly:
sales@integrated-circuit.com



rev	ecn no	dr	date
A	V07-0606	LP	2007/09/19
-	-	-	-
-	-	-	-

spec ref	-	dr	Bill Lin	2010/02/02	projection		size	A4	scale	3:10
tolerance std	TOLERANCES UNLESS OTHERWISE SPECIFIED	eng	Nickor Zuo	2011/06/24	mm		ecn no	ELX-DG-003943-1		
-		chr	Alex Cao	2011/06/24	product family	GIG-Array	rel level	Released		
-		appr	Pei-Ming Zheng	2011/06/27	GIG-Array		rel level	Released		
surface	ASME Y14.5				title	GIG-Array	rel level	Released		
linear	0.X ±0.30	www.fci.com			part no.	11mm RECP. ASSY. 296 SIG. POS.	rel level	Released		
0.XX ±0.10					cat. no.	-	rel level	Released		
0.XXX ±0.05					Product - Customer Drw		rel level	Released		
angular	0° ±2°				Product - Customer Drw		rel level	Released		

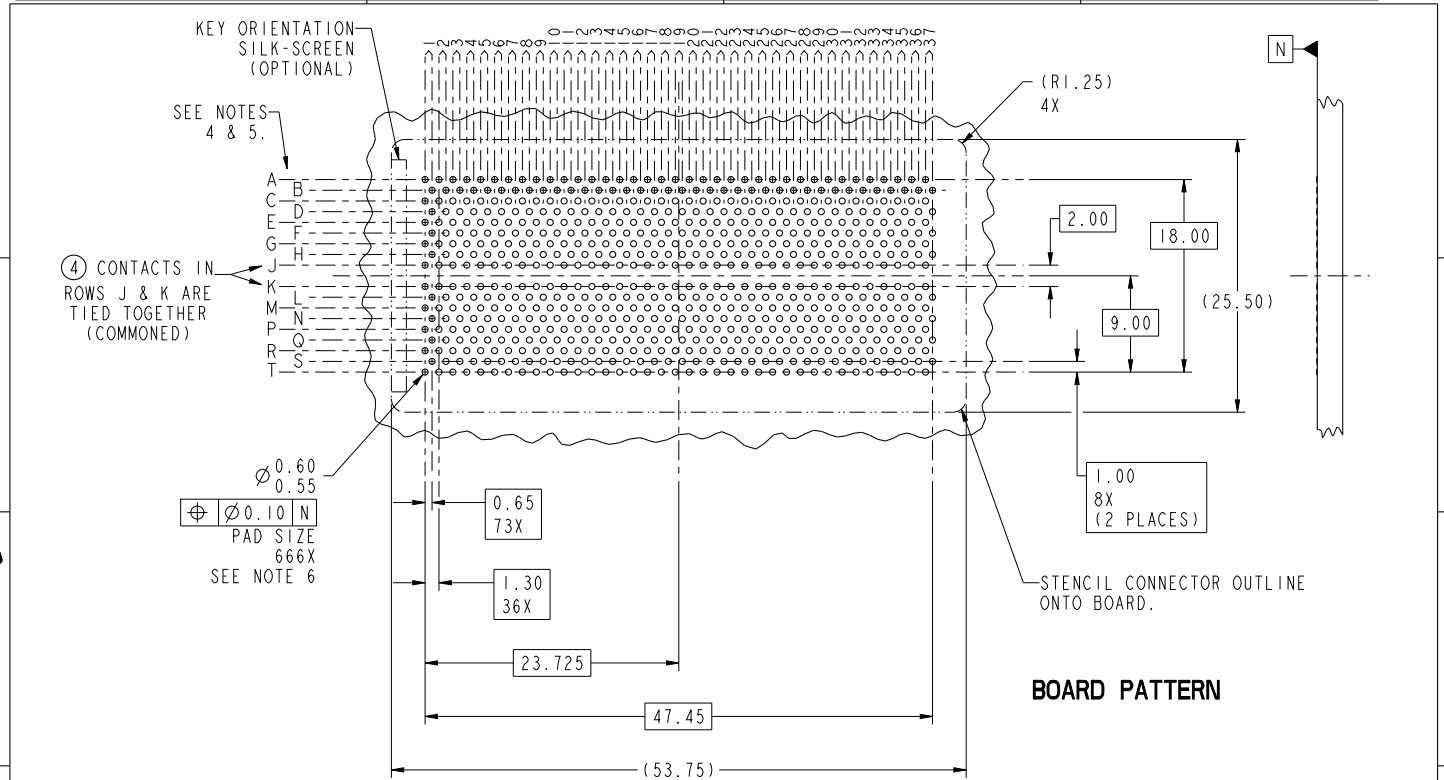
Print File: REV C - 2009-08-09



Copyright FCI.

D

D



spec ref	-	dr	Bill Lin	2011/02/02	projection	mm	size	A4	scale	2:1
tolerance std	TOLERANCES UNLESS OTHERWISE SPECIFIED	eng	Nickor Zuo	2011/06/24			ecn no	ELX-DG-003943-1	rel level	Released
-		chr	Alex Cao	2011/06/24						
-		appr	Pei-Ming Zheng	2011/06/27	product family	GIG-Array	dwg no	10081497	rev	B
surface	3/2				GIG-Array					
ASME Y14.5	linear	0.X	±0.30	11mm RECP. ASSY. 296 SIG. POS.						
		0.XX	±0.10							
		0.XXX	±0.05							
	angular	0°	±2°							
		www.fci.com		cat. no.	-	Product - Customer Drw	sheet 2 of 5			

Print File - REV C - 2009-08-09

1

2

3

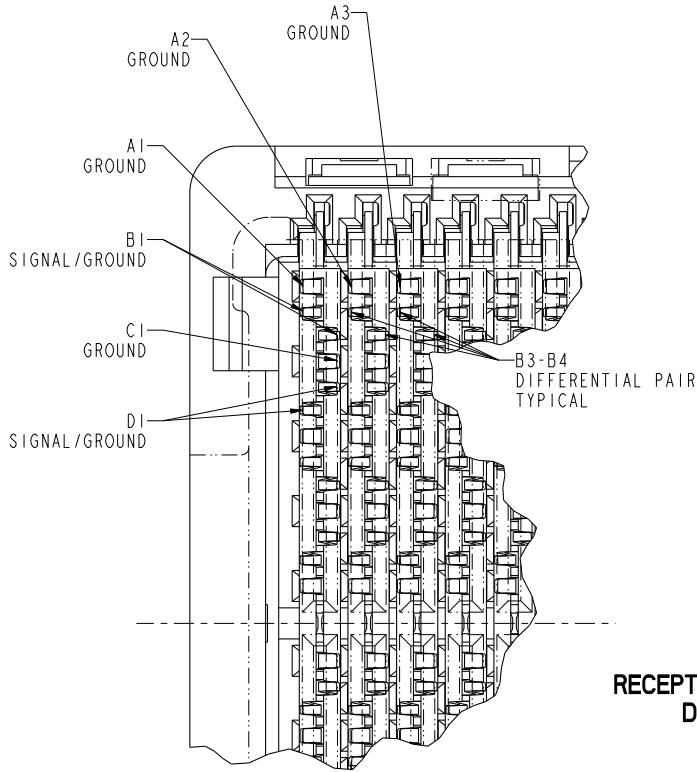
PDS: Rev :B

STATUS:Released

Printed: Jun 27, 2011



Copyright FCI.



RECEPTACLE INTERFACE DESCRIPTION

spec ref	-			dr	Bill Lin	2010/02/02	projection	mm	size	A4	scale	3:10
tolerance std	TOLERANCES UNLESS OTHERWISE SPECIFIED			eng	Nickor Zuo	2011/06/24			ecn no	ELX-DG-003943-1		
-	-			chr	Alex Cao	2011/06/24				product family	GIG-Array	rel level
surface		linear	0.X	±0.30		FCj title GIG-Array 11mm RECP. ASSY. 296 SIG. POS.	cat. no. -	Product - Customer Drw	sheet 3 of 5			
ASME Y14.5		angular	0°	±2°						appr Pei-Ming Zheng 2011/06/27		

Prod File - REV C - 2009-06-09

1

2

3

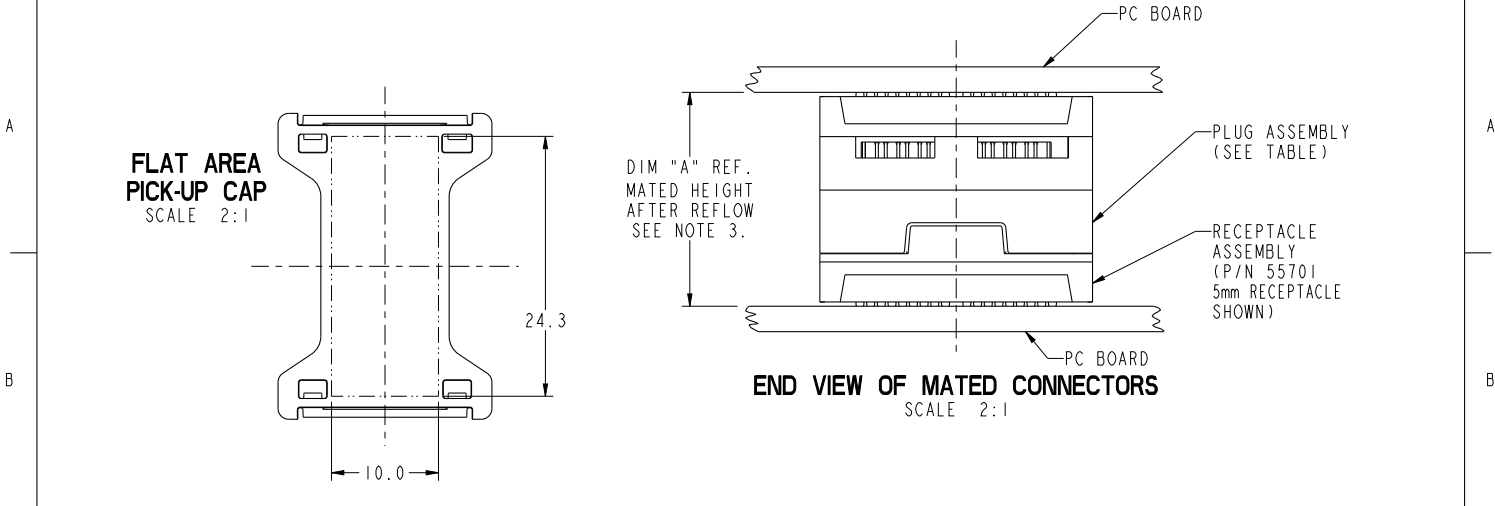
PDS: Rev :B

STATUS:Released

Printed: Jun 27, 2011



Copyright FCI.



DIM. "A"	PLUG ASSEMBLY P/N
21	55720
23	10026804
24	10008026
26	55700
31	55727
36	10054784



Copyright FCI.

spec ref	-	dr	Bill Lin	2010/02/02	projection	mm	size	A4	scale	3:10											
tolerance std	TOLERANCES UNLESS OTHERWISE SPECIFIED	eng	Nickor Zuo	2011/06/24			ec n no	ELX-DG-003943-1	rel level	Released											
-		chr	Alex Cao	2011/06/24																	
-		appr	Pei-Ming Zheng	2011/06/27	product family	GIG-Array	dwg no	10081497	rev	B											
surface	<table border="1"> <tr> <td rowspan="3"> </td> <td>linear</td> <td>0.X</td> <td>±0.30</td> </tr> <tr> <td></td> <td>0.XX</td> <td>±0.10</td> </tr> <tr> <td></td> <td>0.XXX</td> <td>±0.05</td> </tr> <tr> <td>ASME Y14.5</td> <td>angular</td> <td>0°</td> <td>±2°</td> </tr> </table>		linear	0.X	±0.30		0.XX	±0.10		0.XXX	±0.05	ASME Y14.5	angular	0°	±2°		www.fci.com	title GIG-Array 11mm RECP. ASSY. 296 SIG. POS.	cat. no. -	Product - Customer Drw	sheet 4 of 5
	linear		0.X	±0.30																	
			0.XX	±0.10																	
		0.XXX	±0.05																		
ASME Y14.5	angular	0°	±2°																		

Print File - REV C - 2009-08-09

PRODUCT NUMBER	SOLDER BALL COMPOSITION	CONTACT PLATING PERFORMANCE LEVEL
10081497-001	STANDARD (EUTECTIC)	PERFORMANCE-BASED PLATING, QUALIFIED TO MEET THE REQUIREMENTS OF FCI PRODUCT SPECIFICATION GS-12-192, INCLUDING TELCORDIA CENTRAL OFFICE
10081497-001LF	LEADFREE	

NOTES:

- ① MATERIAL:
HOUSING: LCP
CONTACT: COPPER ALLOY
PLATING (CONTACT): Au OVER Ni.
UL RATING: 94 V-0
SOLDER BALL: (SEE TABLE) EUTECTIC SnPb OR LEADFREE 95.5 Sn/4Ag/0.5Cu
- ② SOLDER BALLS WILL NOT BE PERFECT SPHERICAL SHAPE DUE TO REFLOW ATTACHMENT.
- ③ MATED HEIGHT EFFECTED BY CUSTOMERS' PCB PAD SIZE, PLATING, SOLDER REFLOW PROFILE & SOLDER PASTE.
- ④ CONTACTS IN ROWS A,C,E,G,J,K,M,P,R AND T ARE SINGLE BEAM CONTACTS, TYPICALLY USED AS GROUND PINS. (NOTE: CONTACTS IN ROWS J & K ARE TIED TOGETHER [COMMONED])
- ⑤ CONTACTS IN ROWS B,D,F,H,L,N,Q AND S ARE DUAL BEAM CONTACTS, TYPICALLY USED AS SIGNAL PINS.

NOTES CONTINUED

- ⑥ SPECIFIED POSITIONAL TOLERANCE DEFINES PAD TO PAD LOCATION WITHIN LAND PATTERN. POSITIONAL TOLERANCE OF LAND PATTERN TO FUDICIAL MARKS OR PCB DATUMS SHALL BE DEFINED BY CUSTOMER. FOR RECOMMENDED PRODUCT APPLICATION AND PCB DESIGN DETAILS, SEE DOC. NO. GS-20-016.
- ⑦ FOR PROPER APPLICATION FOLLOW FCI APPLICATION SPECIFICATION GS-20-033 LEADFREE SOLDER BALLS WILL NOT SOLDER PROPERLY IN A LEADED SOLDER PROCESS DUE TO A HIGHER REFLOW TEMPERATURE, LEADFREE PRODUCT IS THEREFORE NOT BACKWARDS COMPATIBLE WITH LEADED OR SOME SOLDERING APPLICATIONS. REFERENCE FCI APPLICATION SPECIFICATION.
- ⑧ THIS PRODUCT MEETS THE EUROPEAN UNION DIRECTIVES AND OTHER COUNTRY REGULATIONS AS DESCRIBED IN GS-22-008. PRODUCT MEETING WITH THES DIRECTIVE IS IDENTIFIED IN THE LOT CODE NUMBER MARKED ON EACH PART BY HAVING AN "X" IN THE SEVENTH CHARACTER POSITION.



Copyright FCI.

spec ref	-			dr	Bill Lin	2010/02/02	projection	mm		size	A4	scale	3:10
tolerance std	TOLERANCES UNLESS OTHERWISE SPECIFIED			eng	Nickor Zuo	2011/06/24		← →		ec n no	ELX-DG-003943-1		
-				chr	Alex Cao	2011/06/24				product family	GIG-Array		rel level
surface	3/2	linear	0.X	±0.30		GIG-Array	11mm RECP. ASSY. 296 SIG. POS.	dwg no	10081497		rev	B	
			0.XX	±0.10									
			0.XXX	±0.05									
ASME Y14.5		angular	0°	±2°	www.fci.com	cat. no.	-	Product - Customer Drw		sheet 5 of 5			

Prod File - REV C - 2009-08-09

1

2

3

PDS: Rev :B

STATUS:Released

Printed: Jun 27, 2011