

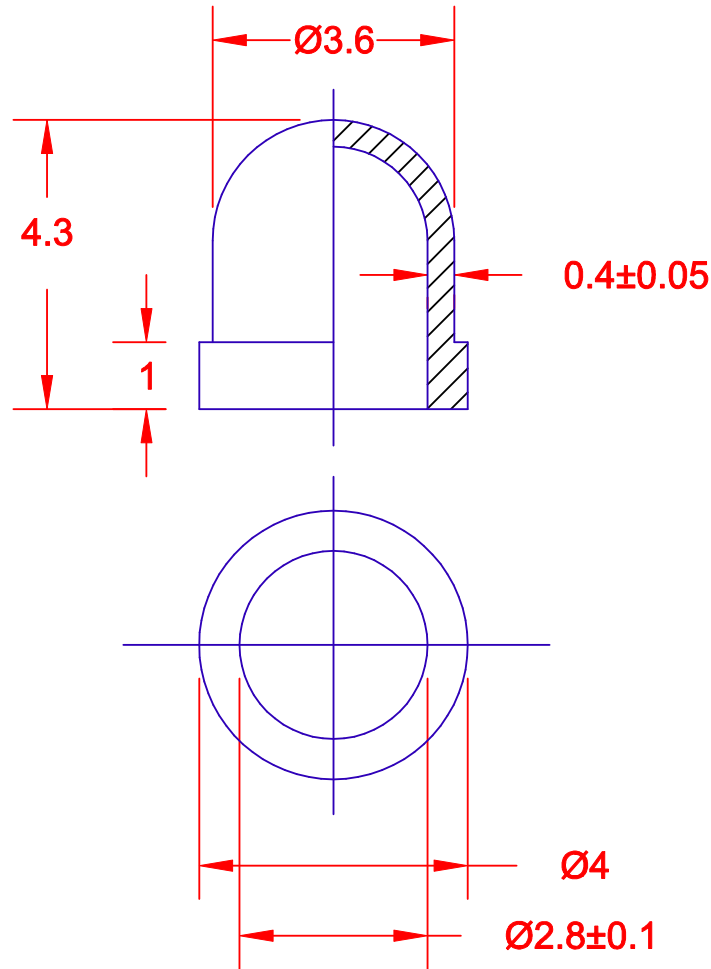
Excellent Integrated System Limited

Stocking Distributor

Click to view price, real time Inventory, Delivery & Lifecycle Information:

[JKL Components Corporation](#)
[39-01-3A](#)

For any questions, you can email us directly:
sales@integrated-circuit.com



JKL PART NUMBER	COLOR
39-01-1*	RED
39-01-2*	ORANGE
39-01-3*	YELLOW
39-01-4*	GREEN
39-01-5*	BLUE
39-01-6*	BLUE-WHITE
39-01-7*	WHITE

*TO BE DETERMINED

<p>THIRD ANGLE PROJECTION</p>	<p>METRIC</p>	<p>DIMENSIONS ARE IN MILLIMETERS</p>	<p>JKL COMPONENTS CORPORATION</p>					
	<p>TOLERANCE UNLESS OTHERWISE SPECIFIED</p> <p>1 PL +/- 0.2</p> <p>2 PL +/- 0.20</p> <p>ANGLE +/-</p>	<p>TITLE</p> <p>T-1 LAMP FILTER</p>						
<p>DRAWN BY</p> <p>L. WENGSTROM</p>	<p>APPVD BY</p> <p>ED</p>	<p>DATE</p> <p>1/16/01</p>	<p>SIZE</p> <p>A</p>	<p>FSCM NO.</p> <p>55335</p>	<p>DRAWING NO.</p> <p>FILTER 39-01</p>			
<p>RELEASED</p>	<p>1/16/01</p>	<p>APPVD DATE</p>	<p>SCALE</p> <p>NONE</p>	<p>RELEASED DATE</p> <p>1/16/01</p>	<p>REVISION DATE</p>			
<p>REV. NO.</p>	<p>DESCRIPTION/ECO NUMBER</p>	<p>APPVD DATE</p>	<p>- CAD DRAWING -</p> <p>MANUAL REVISIONS NOT PERMITTED</p>	<p>SCALE</p> <p>NONE</p>	<p>RELEASED DATE</p> <p>1/16/01</p>	<p>REVISION DATE</p>	<p>REV. NO.</p>	<p>SHEET</p> <p>1 OF 1</p>