



Distributor of FCI: Excellent Integrated System Limited

Datasheet of 10070158-00419XLF - D-Sub Connector Plug, Male Pins 4 (2 + 2 Power) Position Through Hole, Right Angle Solder Paste

Contact us: sales@integrated-circuit.com Website: www.integrated-circuit.com

Excellent Integrated System Limited

Stocking Distributor

Click to view price, real time Inventory, Delivery & Lifecycle Information:

[FCI](#)

[10070158-00419XLF](#)

For any questions, you can email us directly:

sales@integrated-circuit.com

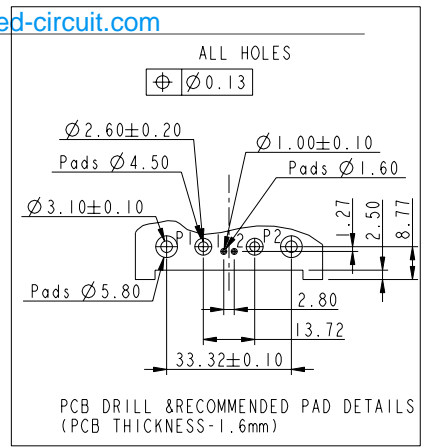
"This Product Meets European union directives & other country regulations as described in GS-22-008"

The Housing will withstand exposure to 265° peak temperature for 30 sec in a convection, infra-red or vapour reflow oven solder applications

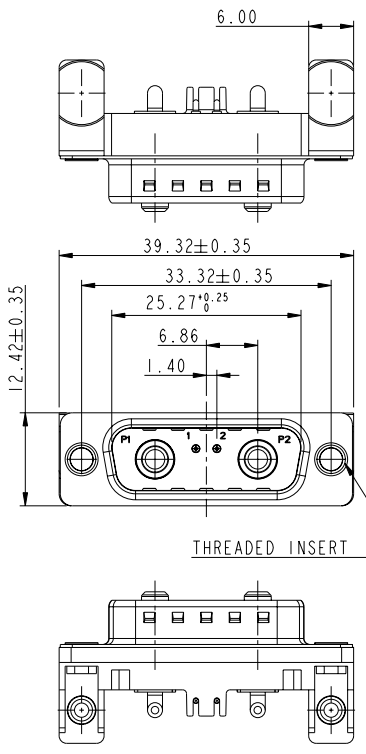
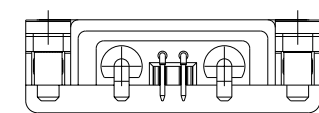
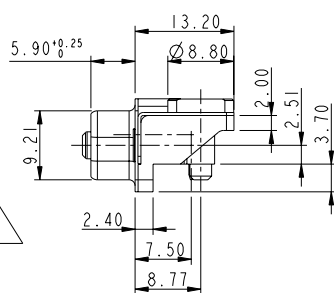
Packing as per GS 14-1104

TECHNICAL SPECIFICATIONS

- 1: MATERIAL:
 INSULATOR : High Temperature Thermoplastics
 CONTACTS : Copper alloy
 SHELLS : Steel with Nickel Plated
- 2: PLATING:
 CONTACT ACTIVE ZONE : GOLD or Equivalent (200 matings)
 TERMINATION ZONE : TIN over Cu
 HARPOON : BRASS- TIN
 THREADED INSERT : BRASS- Nickel
- 3: ELECTRICAL DATA:
 Current Rating : 48V/24A for Power contact
 : 0.375 A for signal contact
 Test Voltage : 1000V
 Contact Resistance : For Power contacts $\leq 10m\Omega$
 : For Signal contacts $\leq 25m\Omega$
 Insulation Resistance: 5000M Ohm
 Electrical continuity between shell and harpoon
- 4: ENVIRONMENTAL CHARACTERISTICS- ROHS Compatible
 Operating temperature : 70°C+30°C Temperature rise



PART NO. 10070158-00412XLF
 12-TAPE&REEL
 19-CARD BOX
 X-UNC4-40 Threaded insert
 L-M3 Threaded Insert



| rev | ecm no | dr | date |
|-----|----------|----|------------|
| A | 107-0051 | NG | 2007-07-17 |
| B | 107-0163 | NG | 2007-11-30 |
| C | 108-0019 | NG | 2008-02-08 |
| - | - | - | - |
| - | - | - | - |
| - | - | - | - |
| - | - | - | - |

| | | | | | |
|------------------------------|-------------|---------------------------------------|------------------|--------------|-------------|
| www.fciconnect.com | | surface - | tolerance std | projection | mm |
| | | ISO 1302 | ISO 406 ISO 1101 | | |
| | | TOLERANCES UNLESS OTHERWISE SPECIFIED | | | |
| Dr | NIRMAL.G | 2006-10-19 | ANGULAR | 0.X | ± 0.3 |
| Eng | NIRMAL.G | 2008-02-07 | LINEAR | 0.XX | ± 0.10 |
| Chr | ANISH S | 2008-02-08 | 0° ±2° | 0.XXX | ± 0.050 |
| Appr | BIJU.K.PAUL | 2008-02-08 | Product family | -D-SUB | Spec ref |
| FCI SINGLE VERSION CONNECTOR | | MicroTCA_PCB MALE -PIP 48V | | 10070158-004 | Rev. C |
| catalog no | | CUSTOMER | | sheet 1 of 1 | |

Copyright FCI.