



Excellent Integrated System Limited

Stocking Distributor

Click to view price, real time Inventory, Delivery & Lifecycle Information:

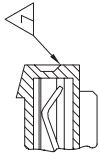
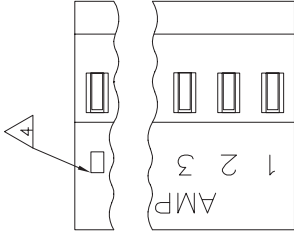
[TE Connectivity AMP Connectors](#)
[3-644669-5](#)

For any questions, you can email us directly:
sales@integrated-circuit.com

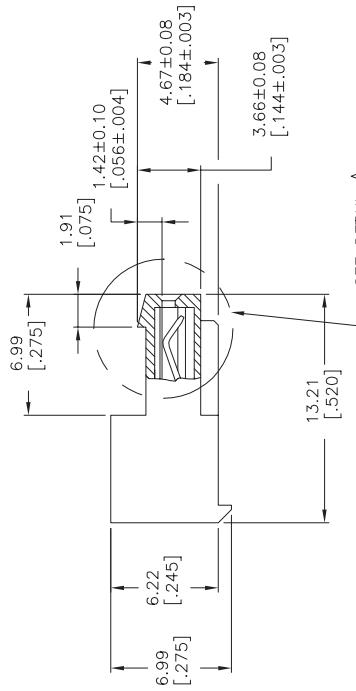
1
2
3
4

LOC	DIST	REV	DATE	BY	CHK	APP
CM 00	00	B	28FEB07	KW	DB	DB

REVISIONS	
DESCRIPTION	DATE
REVISED PER ECO-07-003755	28FEB07



DETAIL A



SEE DETAIL A
FOR CLOSED CIRCUIT

TIN	12.70 [.500]	5	3-644669-5
TIN-LEAD	12.70 [.500]	5	644669-5
FINISH	DIM A	NO OF CIRCUITS	PART NO

- 1** MATERIAL: CONNECTOR - NYLON UL94V-2 (GREEN).
CONTACTS - 0.30[.012] THICK COPPER ALLOY
MATTIE WHISKER MITIGATED TIN
0.00203[.000080] MIN THICKNESS
OVER NICKEL UNDERPLATE OR BRIGHT
TIN-LEAD 93/7 0.00203[.000080] MIN
THICKNESS. SEE FINISH COLUMN FOR
PLATING TYPE.
- 2.** CONTACTS ACCEPT 28 AWG WIRE WITH 1.52 [.060] MAX
INSULATION DIAMETER.
- 3.** CONTACTS MUST ACCEPT 0.64±0.03 [.025±.001] SQUARE
POST AND REMAIN LOCKED IN POSITION.
- 4** IDENTIFICATION NUMBER FOR LAST CIRCUIT MAY
NOT APPEAR ON ALL ASSEMBLIES.
- 5.** DIMENSIONS IN BRACKETS ARE IN INCHES.
- 6.** HOUSING FEATURES ARE: CLOSED END WITH LOCKING RAMP.
DETAIL A SHOWS CIRCUIT NO. 4 MOLDED CLOSED.



THIS DRAWING IS A CONTROLLED DOCUMENT.	DATE	BY	CHK	APP
	01 MAY 92	LEWIS		
OTHERWISE SPECIFIED:	DATE	BY	CHK	APP
0 P.L.C.				
1 P.L.C.				
2 P.L.C.				
3 P.L.C.				
4 P.L.C.				
5 P.L.C.				
FINISH				
MATERIAL				
SCALE	5:1			
SHEET	1			
OF	1			
REV				