

Excellent Integrated System Limited

Stocking Distributor

Click to view price, real time Inventory, Delivery & Lifecycle Information:

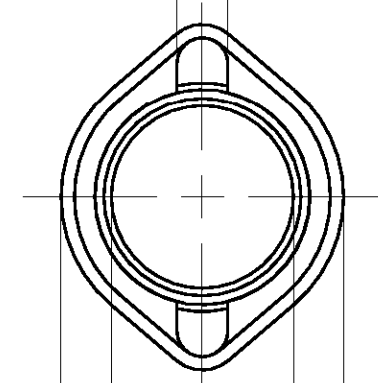
[TE Connectivity AMP Connectors
2-327138-2](#)

For any questions, you can email us directly:
sales@integrated-circuit.com

THIS DRAWING IS A CONTROLLED DOCUMENT.

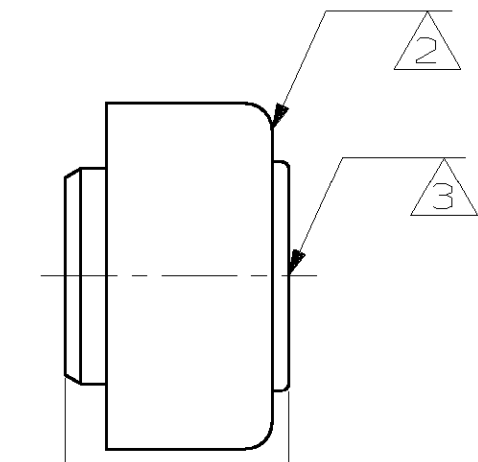
LOC	DIST	REVISIONS					
AJ	16	P	LTR	DESCRIPTION	DATE	DWN	APVD
			L	REV PER 0U20-0563-00	19OCT00	MO	JL

1.85±0.25
 [.073±.010]



∅5.08
 [.200]

∅9.32±0.25
 [.367±.010]



8.89 MAX
 [.350]

INSULATION SIZE: 3.68-4.67 DIA
 [.145-.184]

- 1 ZINC PLATE PER QQ-Z-325
- 2 COPPER PER QQ-C-576
- 3 BRASS PER ASTM-B-16
- 4 TIN PLATE PER MIL-T-10727

4	2-327138-2
1	327138
FINISH	PART NUMBER

RELEASED FOR PUBLICATION 19 . .

ALL RIGHTS RESERVED.

THIS DRAWING IS UNPUBLISHED.

BY AMP INCORPORATED. © COPYRIGHT 19

DIMENSIONS: mm	DWN	J.L.GROFT	MATERIAL	SEE NOTES	FINISH	SEE NOTES
	CHK	S.W.BURKHOLDER	AMP Incorporated Harrisburg, PA 17105-3608			
TOLERANCES UNLESS OTHERWISE SPECIFIED:	APVD	S.W.BURKHOLDER				
0 PLC ±-	PRODUCT SPEC	-	NAME			
1 PLC ±-	APPLICATION SPEC	-	FERRULE ASSEMBLY, TERMASHIELD			
2 PLC ±-	WEIGHT	-	SIZE	CAGE CODE	DRAWING NO	
3 PLC ±.005			A4	00779	C-327138	
4 PLC ±-						
ANGLES ±-						