

Excellent Integrated System Limited

Stocking Distributor

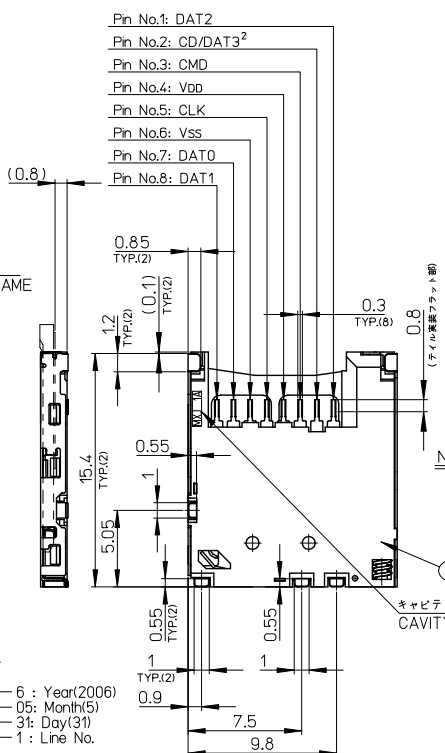
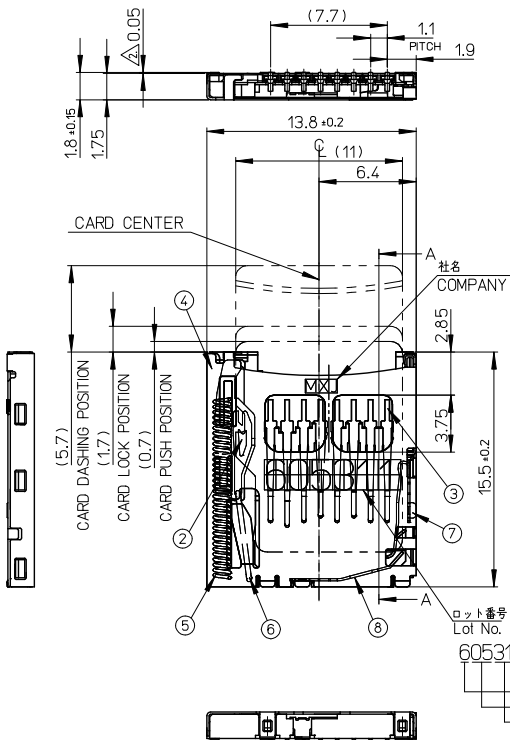
Click to view price, real time Inventory, Delivery & Lifecycle Information:

[Molex Connector Corporation](#)
[5025700893](#)

For any questions, you can email us directly:

sales@integrated-circuit.com

10 9 8 7 6 5 4 3 2 1

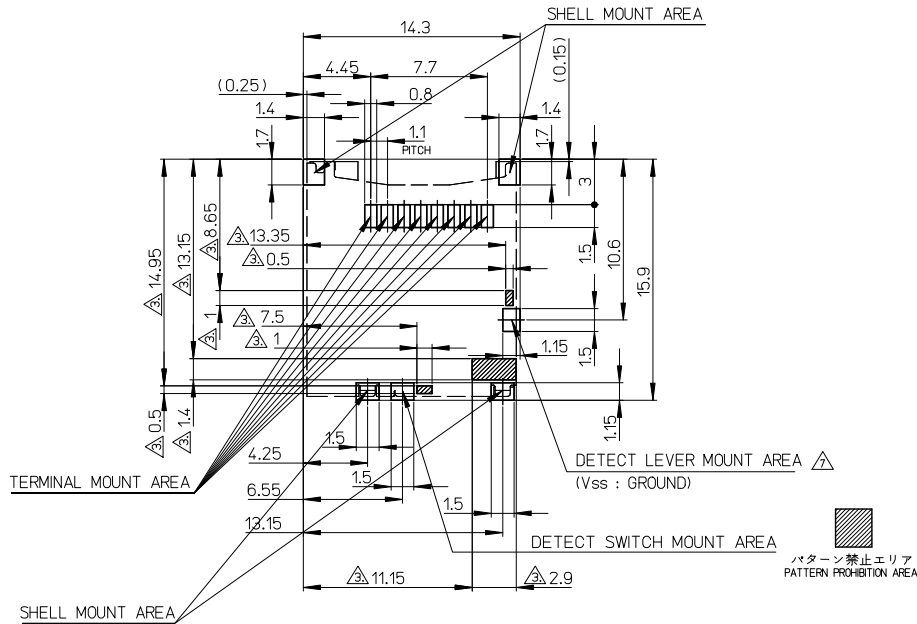


番号 NO.	名称 NAME	材料 MATERIAL
①	ハウジング HOUSING	液晶ポリマー (LCP) UL94V-0 LIQUID CRYSTAL POLYMER (LCP) UL94V-0
②	カムスライダー CAM SLIDER	液晶ポリマー (LCP) UL94V-0 LIQUID CRYSTAL POLYMER (LCP) UL94V-0
③	ターミナル TERMINAL	銅合金 接触部: 金めっき 0.5μm MIN. (t=0.2) 封孔処理済 テール部: 銅めっき 2μm MIN. 下地: ニッケルめっき 1μm MIN. COPPER ALLOY, CONTACT AREA: Au(0.5μm MIN.) SEALING DISPOSITION TAIL AREA: Sn (2μm MIN.) UNDER: Ni(1μm MIN.)
④	シェル SHELL	ステンレス鋼 基板実装部: 金めっき 0.02μm MIN. (t=0.15) 下地: ニッケルめっき 0.5μm MIN. STAINLESS STEEL, NAIL AREA: Au(0.02μm MIN.) UNDER: Ni(0.5μm MIN.)
⑤	スプリング SWP	ピアノ線
⑥	ピン PIN	ステンレス鋼 STAINLESS STEEL
⑦	ディテクトレバー DETECT LEVER	銅合金 接触部、テール部: 金めっき 0.2μm MIN. (t=0.15) 下地: ニッケルめっき 1μm MIN. COPPER ALLOY, CONTACT, TAIL AREA: Au(0.2μm MIN.) UNDER: Ni(1μm MIN.)
⑧	ディテクトスイッチ DETECT SWITCH	銅合金 接触部、テール部: 金めっき 0.2μm MIN. (t=0.15) 下地: ニッケルめっき 1μm MIN. COPPER ALLOY, CONTACT, TAIL AREA: Au(0.2μm MIN.) UNDER: Ni(1μm MIN.)

- NOTES 1. ターミナル及びネールの平坦度は 0.1 MAX. TERMINAL AND NAIL COPLANARITY TO BE 0.1 MAX.
 2. スタンドオフ寸法 STAND OFF
 3. パターン禁止エリア PATTERN PROHIBITION AREA
 4. カード検知スイッチ DETECT SWITCH
- | | |
|-----------------------------------|---------------|
| カード挿入時
CARD INSERTING POSITION | クローズ
CLOSE |
| カード未挿入時
NO CARD | オープン
OPEN |
5. 肉抜き位置は任意とする。CAVITY IS TO BE OPTIONAL.
 6. ロット印字は任意とする。LOT NUMBERING IS TO BE OPTIONAL.
 7. GND 推奨パターン GND RECOMMENDED PATTERN.
 8. ELV 及び RoHS 適合品 ELV AND RoHS COMPLIANT

502570-0893	502570-0831	502570-08**
EMBOSSD TAPE	CONNECTOR ONLY	MODEL NO.
ORDER No. オーダー番号	MATERIAL NO.	

REVISED	EC NO. J2009-2308	DRAWN BY DRW:CARIZONO 2009/04/17	CHECKED BY CHKD:T.HARUYAMA 2009/04/17	APPROVED BY APPR:MIKITA 2009/04/20	DESCRIPTION	GENERAL TOLERANCES (UNLESS SPECIFIED)		DIMENSION STYLE	SCALE	DESIGN UNITS	THIRD ANGLE PROJECTION
						10 UNDER	±0.2	MM ONLY	4:1	METRIC	☉ □
						10 OVER	±0.25				
						30 OVER	±0.3				
						ANGULAR	±1 °				
						DRAFT WHERE APPLICABLE MUST REMAIN WITHIN DIMENSIONS					
						SEE TABLE SD-502570-001					
						THIS DRAWING CONTAINS INFORMATION THAT IS PROPRIETARY TO MOLEX INCORPORATED AND SHOULD NOT BE USED WITHOUT WRITTEN PERMISSION					



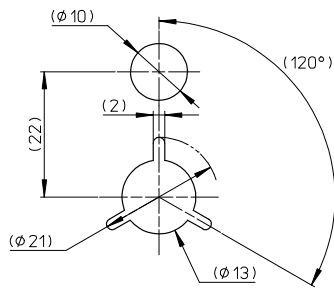
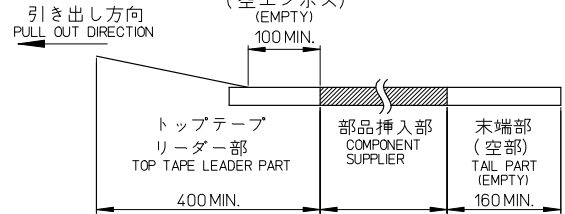
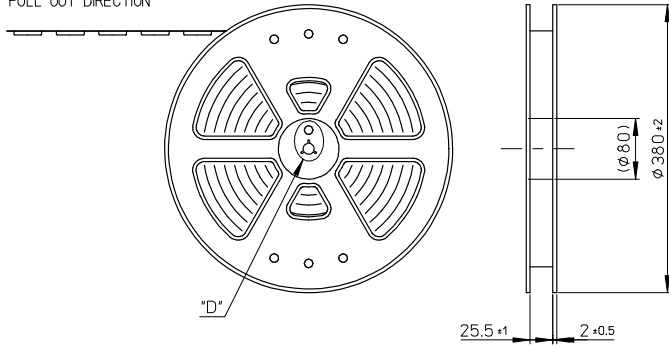
**RECOMMENDED
PCB PATTERN LAYOUT**
(GENERAL TOLERANCE : ±0.05)

REVISED IEC NO. J2009-2308 DRAWN BY: 2009/04/17 CHIKO IZONO CHECKED BY: 2009/04/17 HARUYAMA APPROVED BY: 2009/04/20 HARUKI MATSUDA	GENERAL TOLERANCES (UNLESS SPECIFIED)		DIMENSION STYLE MM ONLY		SCALE 4:1	DESIGN UNITS METRIC	THIRD ANGLE PROJECTION
	10 UNDER	± 0.2	DRAWN BY YMATSUMOTO	DATE 07/09/10	TITLE MICROSD CARD CONN. (P/P & NORMAL SMALL TYPE)		
	10 OVER 30 UNDER	± 0.25	CHECKED BY MTOMITA	DATE 07/09/10	MOLEX INCORPORATED		
	30 OVER	± 0.3	APPROVED BY MSASAO	DATE 07/09/10	MOLEX INCORPORATED		
ANGULAR ±1 °		MATERIAL NO. SEE SHEET 1		DOCUMENT NO. SD-502570-001	SHEET NO. 2 OF 2		
DRAFT WHERE APPLICABLE MUST REMAIN WITHIN DIMENSIONS		THIS DRAWING CONTAINS INFORMATION THAT IS PROPRIETARY TO MOLEX INCORPORATED AND SHOULD NOT BE USED WITHOUT WRITTEN PERMISSION					

NOTES

1. 製品詳細寸法については、SD 図面を参照下さい。
RE DETAILED DIMENSION, SEE SALES DRAWING.
2. 梱包数量: 1300 個/リール
NUMBER OF CONNECTORS: 1300 PCS/REEL.
3. リードテープ長さ LEAD TAPE LENGTH.
トップテープ接着部
TOP TAPE BONDED PART.
(空エンボス)
(EMPTY)
100 MIN.
4. トップテープの剥離強度: JIS C0806-3に準拠(剥離方向は下図参照)
尚、本規格値は出荷時に適用。(但し、輸送時に剥離が発生しないこと。)
PEELING OFF FORCE OF TOP TAPE . BASED UPON JIS C0806-3
(PEELING DIRECTION AS SHOWN IN FOLLOWING FIG.)
THIS REQUIREMENT SHOULD BE APPLIED AT SHIPMENT.
PEEL OFF SHOULD NOT BE ALLOWED, DURING TRANSPORTATION.
5. 材料 MATERIAL
キャリアテープ (CARRIER TAPE): ポリスチレン (POLYSTYRENE)
トップテープ (TOP TAPE): PET, PE, PEF
リール (REEL): ポリスチレン(PS) <リサイクル材含む>
POLYSTYRENE (PS) <RECYCLE MATERIAL CONTAINED>
8. ELV及びRoHS適合品 ELV AND RoHS COMPLIANT

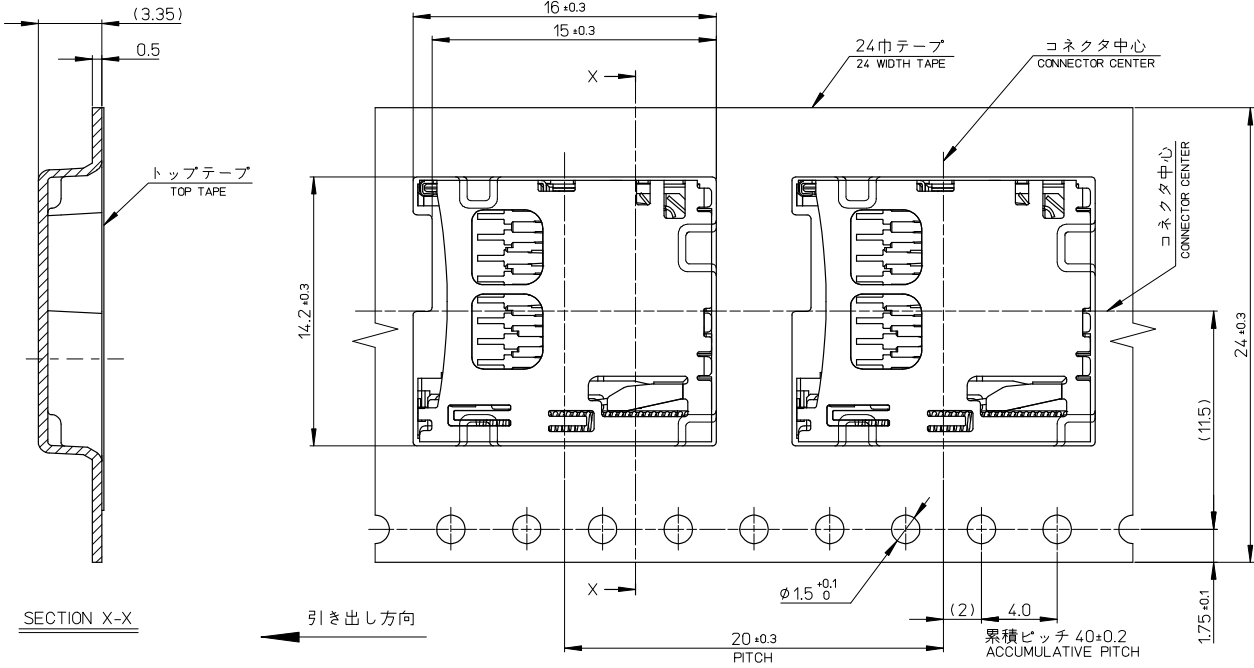
引き出し方向
PULL OUT DIRECTION



DETAIL "D"

502570-0831	502570-0893	502570-08**
CONNECTOR	MATERIAL NO.	MODEL NO.

RELEASED EC NO.: J2008-3223 DRWNYAJIMA CHYO:THAYAMA APPR:INKITA	DESCRIPTION 2008/03/10 2008/03/11 2008/03/11	GENERAL TOLERANCES (UNLESS SPECIFIED)		DIMENSION STYLE MM ONLY		SCALE 4:1	DESIGN UNITS METRIC	THIRD ANGLE PROJECTION	
		10 UNDER	± 0.2	DRAWN BY YMATSUMOTO	DATE 07/09/10	TITLE MICROSD CARD CONN. EMBOSSD TYPE PACKAGE FOR 502570-08**			
		10 OVER 30 UNDER	± 0.25	CHECKED BY MTOMITA	DATE 07/09/10				
		30 OVER	± 0.3	APPROVED BY MSASAO	DATE 07/09/10				
0	REV	ANGULAR	± 1 °	MATERIAL NO. SEE TABLE		DOCUMENT NO. SD-502570-002	SHEET NO. 1 OF 2		
DRAFT WHERE APPLICABLE MUST REMAIN WITHIN DIMENSIONS		THIS DRAWING CONTAINS INFORMATION THAT IS PROPRIETARY TO MOLEX INCORPORATED AND SHOULD NOT BE USED WITHOUT WRITTEN PERMISSION							



RELEASED EC NO.: J2008-3223 DRW: N. YAJIMA 2008/03/11 CHK: T. HIRUYAMA 2008/03/11 APPR: N. KITA 2008/03/11 0 REV	GENERAL TOLERANCES (UNLESS SPECIFIED)	DIMENSION STYLE MM ONLY	SCALE 4:1	DESIGN UNITS METRIC	THIRD ANGLE PROJECTION	
	10 UNDER ± 0.2 10 OVER 30 UNDER ± 0.25 30 OVER ± 0.3	DRAWN BY YMATSUMOTO 07/09/10 CHECKED BY MTOMITA 07/09/10 APPROVED BY MSASAO 07/09/10	DATE 07/09/10 DATE 07/09/10 DATE 07/09/10	TITLE MICROSD CARD CONN. EMBOSSED TYPE PACKAGE FOR 502570-08**		
	ANGULAR ±1 ° DRAFT WHERE APPLICABLE MUST REMAIN WITHIN DIMENSIONS	MATERIAL NO. SEE SHEET 1	DOCUMENT NO. SD-502570-002	MOLEX INCORPORATED		
		SIZE A3	THIS DRAWING CONTAINS INFORMATION THAT IS PROPRIETARY TO MOLEX INCORPORATED AND SHOULD NOT BE USED WITHOUT WRITTEN PERMISSION			SHEET NO. 2 OF 2