



Distributor of Molex Connector Corporation: Excellent Integrated System Limited
Datasheet of 0836129020 - D-Sub Connector Plug, Male Pins 15 Position Panel Mount,
Through Hole, Right Angle Solder

Contact us: sales@integrated-circuit.com Website: www.integrated-circuit.com

Excellent Integrated System Limited

Stocking Distributor

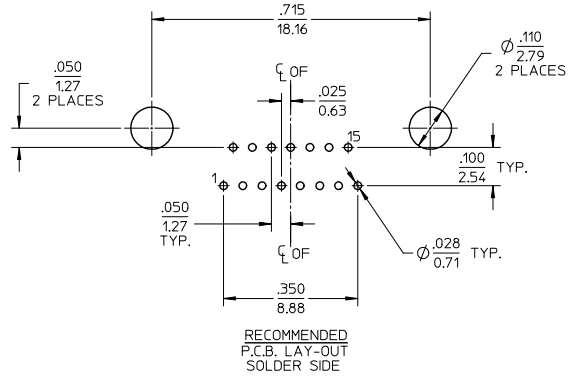
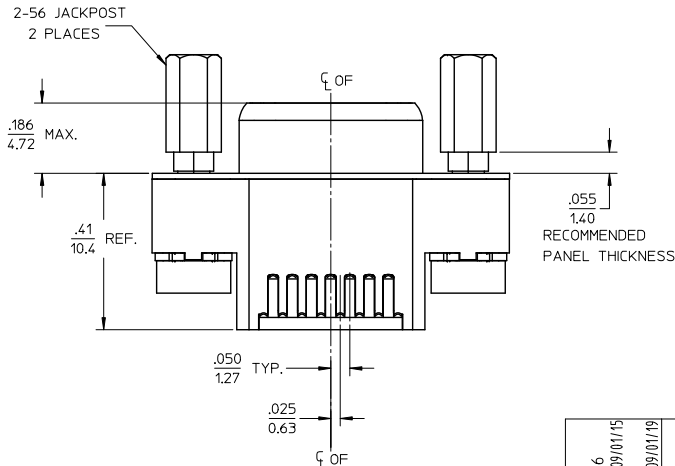
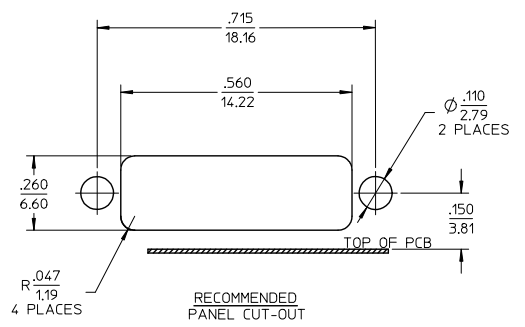
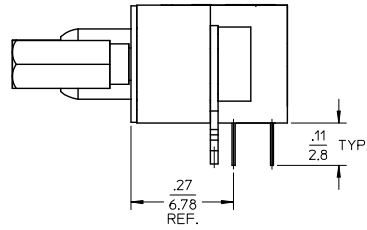
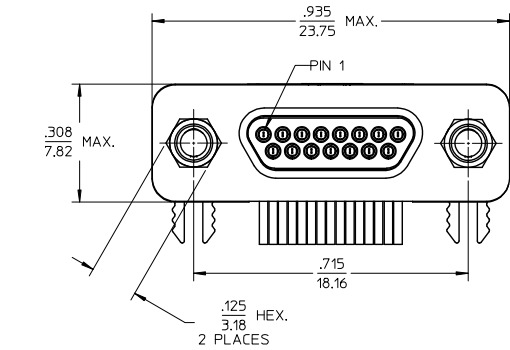
Click to view price, real time Inventory, Delivery & Lifecycle Information:

[Molex Connector Corporation](#)
[0836129020](#)

For any questions, you can email us directly:
sales@integrated-circuit.com

Contact us: sales@integrated-circuit.com Website: www.integrated-circuit.com

MATERIAL NO. 836129020	ENG. NO. 83612-9020
---------------------------	------------------------



SALES DRAWING

NOTE:
1. REFER TO PS-83421-9000 FOR PRODUCT SPECIFICATION.
2. RoHS COMPLIANT

REDRAWN EC NO: WNAZ008-0146 DRAWN BY: DRWBRUBERT 2009/01/15 CHKD: CHIKD 2009/01/19 APPR: JF MURPHY 2009/01/19 REV DESCRIPTION	QUALITY SYMBOLS	GENERAL TOLERANCES (UNLESS SPECIFIED) <table border="1"> <tr> <th></th> <th>mm</th> <th>INCH</th> </tr> <tr> <td>4 PLACES</td> <td>± .005</td> <td>± .0005</td> </tr> <tr> <td>3 PLACES</td> <td>± .005</td> <td>± .0005</td> </tr> <tr> <td>2 PLACES</td> <td>± 0.13</td> <td>± .01</td> </tr> <tr> <td>1 PLACE</td> <td>± 0.25</td> <td>± .01</td> </tr> <tr> <td colspan="3">ANGULAR ± 1 °</td> </tr> </table>		mm	INCH	4 PLACES	± .005	± .0005	3 PLACES	± .005	± .0005	2 PLACES	± 0.13	± .01	1 PLACE	± 0.25	± .01	ANGULAR ± 1 °			DIMENSION STYLE	SCALE	DESIGN UNITS	THIRD ANGLE PROJECTION
			mm	INCH																				
	4 PLACES		± .005	± .0005																				
	3 PLACES		± .005	± .0005																				
2 PLACES	± 0.13	± .01																						
1 PLACE	± 0.25	± .01																						
ANGULAR ± 1 °																								
		IN/MM	4:1	INCH																				
		DRAWN BY: JLQMASTR DATE: 04/09/20	TITLE: CONNECTOR COMMERCIAL MICRO D R/A SIZE 15																					
		CHECKED BY: RDEROSS DATE: 04/09/27	MOLEX INCORPORATED																					
		APPROVED BY: RDEROSS DATE: 04/09/28	DOCUMENT NO. SD-83612-002																					
		MATERIAL NO.	SHEET NO. 1 OF 1																					
		SIZE: SEE CHART	THIS DRAWING CONTAINS INFORMATION THAT IS PROPRIETARY TO MOLEX INCORPORATED AND SHOULD NOT BE USED WITHOUT WRITTEN PERMISSION																					