

Excellent Integrated System Limited

Stocking Distributor

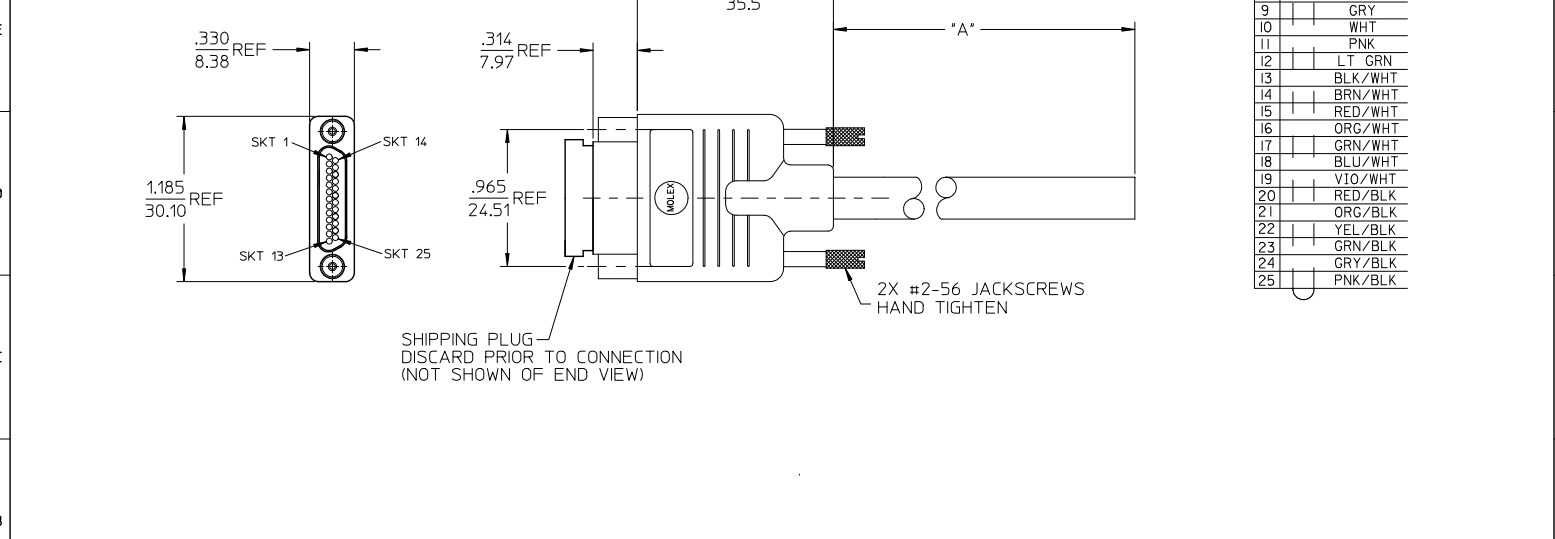
Click to view price, real time Inventory, Delivery & Lifecycle Information:

[Molex Connector Corporation](#)
[0834249019](#)

For any questions, you can email us directly:

sales@integrated-circuit.com

10	9	8	7	6	5	4	3	2	83424
MATERIAL NO.	ENGINEERING NO.	DIM "A" IN/MM							
834249018	83424-9018	4.5"/114.3 ±.5/12.7							
834249019	83424-9019	18.5"/469.9 ±.5/12.7							
834249020	83424-9020	36.5"/927.1 ±.75/19.1							
834249017	83424-9017	48.5"/1231.9 ±.75/19.1							
834249021	83424-9021	72.5"/1841.5 ±1.50/38.1							
834249022	834249022	300.0"/7620.0 ±3.00/76.2							
834249023	83424-9023	98.4"/2500 ±3.00/76.2							



NOTES:
 1. REFER TO PS-83421-001 FOR PRODUCT SPEC.
 2. RoHS COMPLIANT

ADDED PN 834249023 EC NO: JPC2015-1375 DRWNG:GUSTAFSON 2015/04/30 CHKD:BRUPERT 2015/07/27 APPR:WOODMAN 2015/07/02 D1	QUALITY SYMBOLS ▽=0 ▽=0	GENERAL TOLERANCES (UNLESS SPECIFIED) <table border="1"> <thead> <tr> <th></th> <th>mm</th> <th>INCH</th> </tr> </thead> <tbody> <tr> <td>4 PLACES</td> <td>±---</td> <td>±---</td> </tr> <tr> <td>3 PLACES</td> <td>±---</td> <td>±---</td> </tr> <tr> <td>2 PLACES</td> <td>±---</td> <td>±---</td> </tr> <tr> <td>1 PLACE</td> <td>±---</td> <td>±---</td> </tr> </tbody> </table>		mm	INCH	4 PLACES	±---	±---	3 PLACES	±---	±---	2 PLACES	±---	±---	1 PLACE	±---	±---	DIMENSION STYLE IN/MM	SCALE INCH	DESIGN UNITS INCH	THIRD ANGLE PROJECTION
		mm	INCH																		
	4 PLACES	±---	±---																		
	3 PLACES	±---	±---																		
2 PLACES	±---	±---																			
1 PLACE	±---	±---																			
DRAWN BY: BRUPERT DATE: 2010/03/10 CHECKED BY: RWD DATE: 2003/07/18 APPROVED BY: JFMURPHY DATE: 2010/04/21		TITLE CONNECTOR ASSEMBLY COMMERCIAL MICRO D 25 POSITION		MOLEX INCORPORATED																	
DRAFT WHERE APPLICABLE MUST REMAIN WITHIN DIMENSIONS		MATERIAL NO. SEE CHART		DOCUMENT NO. SD-83424-007		SHEET NO. 1 OF 1															
THIS DRAWING CONTAINS INFORMATION THAT IS PROPRIETARY TO MOLEX INCORPORATED AND SHOULD NOT BE USED WITHOUT WRITTEN PERMISSION																					