

Excellent Integrated System Limited

Stocking Distributor

Click to view price, real time Inventory, Delivery & Lifecycle Information:

[Curtis Industries](#)

[F1199DD10](#)

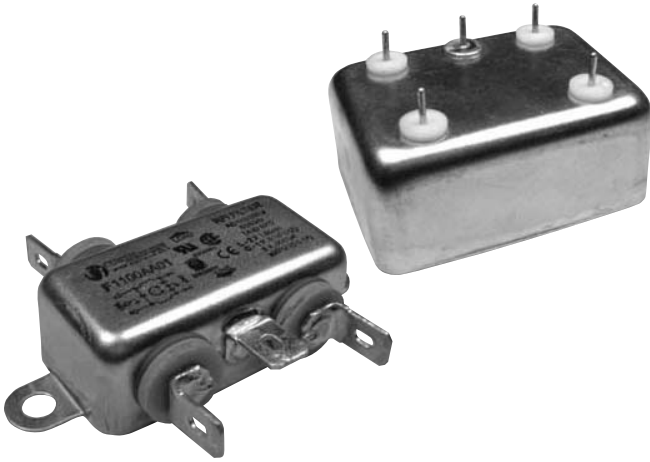
For any questions, you can email us directly:

sales@integrated-circuit.com

F1100/F1150F/F1199 RFI Filters

General Purpose

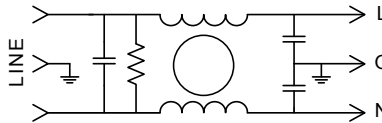
SINGLE PHASE FILTERS



Features:

- Most Economical Design
- Designed for General Purpose, Common Mode Applications
- Available in Standard (F1100) and Low-Leakage (F1150) (F1160) (F1170) (F1180) (F1190) (F1199) Models

F1100/F1150/F1199 Simplified Schematic



Nominal Current Rating 115 VAC	Part Number	Termination Line/Load	MINIMUM INSERTION LOSS - dB (50 ohm Circuit)						
			MODE	Frequency - MHz					
				.15	.50	1.0	5.0	10	30
1A	F1100AA01	QC/QC	Common	20	35	43	52	55	50
	F1100BB01	Wire/Wire	Differential				55	65	50
	F1150AA01	QC/QC	Common	20	30	37	50	50	50
	F1150BB01	Wire/Wire	Differential				55	65	50
	F1199AA01	QC/QC	Common	32	45	45	43	43	40
			Differential	5	14	23	47	50	45
2A	F1199AA02	QC/QC	Common	24	35	43	45	45	40
	F1199BB02	Wire/Wire	Differential	5	13	16	45	50	45
3A	F1100AA03	QC/QC	Common	20	35	43	52	55	50
	F1100BB03	Wire/Wire	Differential				55	64	46
	F1100PP03	PC/PC							
	F1150AA03	QC/QC	Common	20	30	37	50	50	50
	F1150BB03	Wire/Wire	Differential				55	64	46
	F1199AA03	QC/QC	Common	20	30	38	48	48	44
	F1199BB03	Wire/Wire	Differential	5	12	14	38	44	42
6A	F1100AA06	QC/QC	Common	10	22	30	46	50	45
	F1100BB06	Wire/Wire	Differential				51	57	49
	F1150AA06	QC/QC	Common	10	20	27	45	45	45
	F1150BB06	Wire/Wire	Differential				51	57	49
	F1199AA06	QC/QC	Common	9	20	28	42	50	47
	F1199BB06	Wire/Wire	Differential	5	12	14	33	42	42
10A	F1100AA10	QC/QC	Common	10	22	30	46	50	45
	F1100BB10	Wire/Wire	Differential				27	47	50
	F1150AA10	QC/QC	Common	10	20	27	45	45	45
	F1150BB10	Wire/Wire	Differential				27	47	50
	F1199AA10	QC/QC	Common	9	20	25	38	42	40
	F1199BB10	Wire/Wire	Differential	5	12	14	33	42	42
	F1199DD10	Screw/Screw							
20A	F1100AA20	QC/QC	Common	8	18	22	36	42	45
	F1100DD20	Screw/Screw	Differential				22	46	60
	F1150AA20	QC/QC	Common	8	15	20	32	38	45
	F1150DD20	Screw/Screw	Differential				22	46	60
	F1199AA20	QC/QC	Common	10	20	28	35	38	40
	F1199DD20	Screw/Screw	Differential	5	12	15	30	40	40
30A	F1199DD30	Screw/Screw	Common	13	23	30	35	38	40
			Differential	5	12	15	30	40	40

NOTE: Other combinations of terminals may be specified on special order.



Specifications:

Rated Voltage: 250VAC Maximum - 50/60 Hz

Rated Current:	115VAC	250VAC
	1A	1A
	2A	1.5A
	3A	2.5A
	6A	4A
	10A	6A
	20A	10A
	30A	15A

Current Overload: 6X for 8 seconds

Hi-Pot Test (1 min):	F1100/F1150	F1199
Line to Ground:	1500VAC	1500VAC
Line to Line:	1768VDC	1450VDC

Insulation Resistance: $9 \times 10^9 \Omega$ at 100VDC

Ambient Temperature: 40°C Max. at rated current

Humidity Range: 0% to 95% R.H.

Termination:

- A: QC – Quick Connect
- B: Wire
- D: Screw
- P: PCB Mount

Maximum Leakage Current:

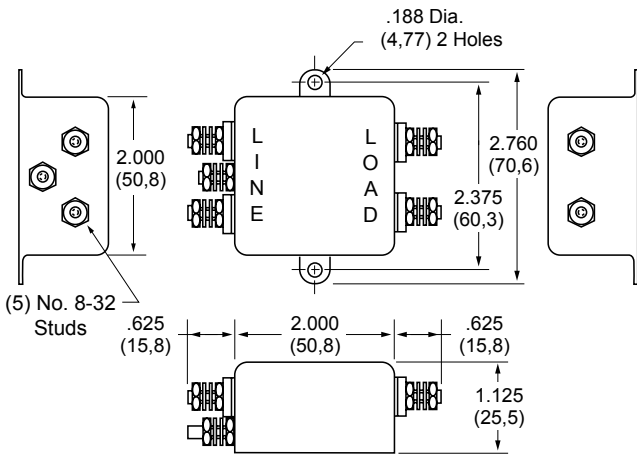
Each Line to Ground	F1100	F1150	F1199
115VAC, 60Hz:	0.40mA	0.25mA	0.25mA
250VAC, 50Hz:	.75mA	0.40mA	0.45mA

Agency Approvals:



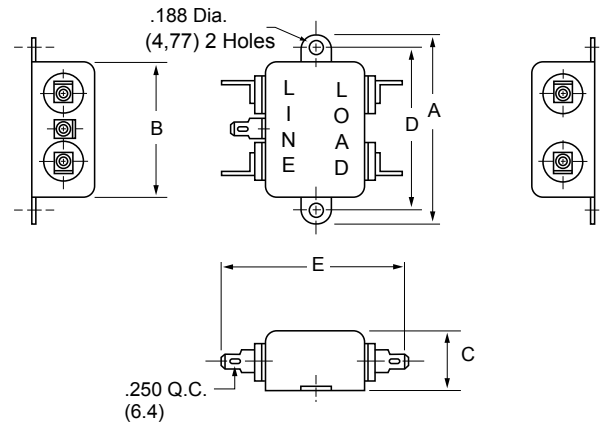
F1150	F1100	F1100	F1100
F1199	F1500	Except 20Amp	F1150
	F1199	F1199	F1199

F1100DD/F1150DD
(20Amp Only) Dimensions



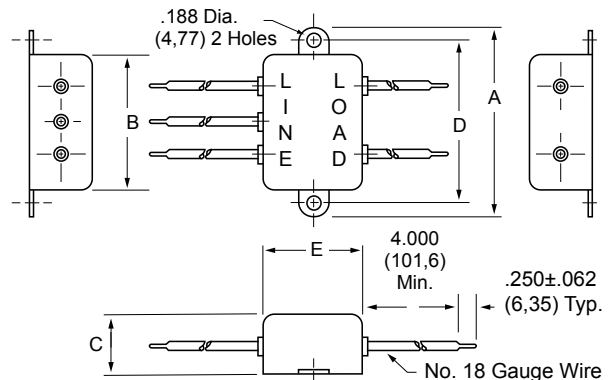
F1100AA/F1150AA
(1, 3, 6, 10 and 20Amp) Dimensions

Amps	A	B	C	D	E
1A	2.500 (63,5)	1.750 (44,5)	.625 (15,8)	2.125 (53,9)	1.425 (36,2)
3A	2.500 (63,5)	1.750 (44,5)	.750 (19,1)	2.125 (53,9)	1.8 (45,8)
6A	2.500 (63,5)	1.750 (44,5)	.750 (19,1)	2.125 (53,9)	1.8 (45,8)
10A	2.500 (63,5)	1.750 (44,5)	1.125 (28,5)	2.125 (53,9)	1.8 (45,8)
20A	2.760 (70,6)	2.000 (60,8)	1.125 (28,5)	2.375 (60,3)	2.550 (64,8)



F1100BB/FB1150BB
(1, 3, 6 and 10Amp) Dimensions

Amps	A	B	C	D	E
1A	2.500 (63,5)	1.750 (44,5)	.625 (15,8)	2.125 (53,9)	.875 (22,2)
3A	2.500 (63,5)	1.750 (44,5)	.750 (19,1)	2.125 (53,9)	1.250 (31,8)
6A	2.500 (63,5)	1.750 (44,5)	.750 (19,1)	2.125 (53,9)	1.250 (31,8)
10A	2.500 (63,5)	1.750 (44,5)	1.125 (28,5)	2.125 (53,9)	1.250 (31,8)



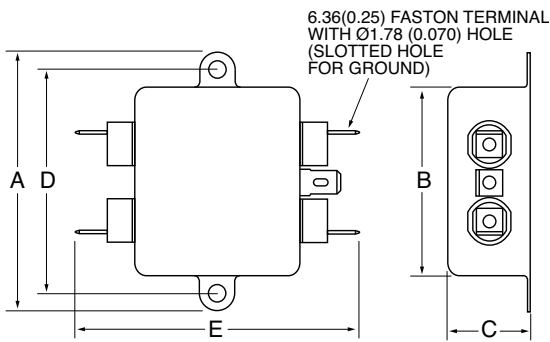
Dimensions are in inches and millimeters unless otherwise specified. Values in parentheses are metric equivalents.



F1100/F1150/F1199 RFI Filters (continued)

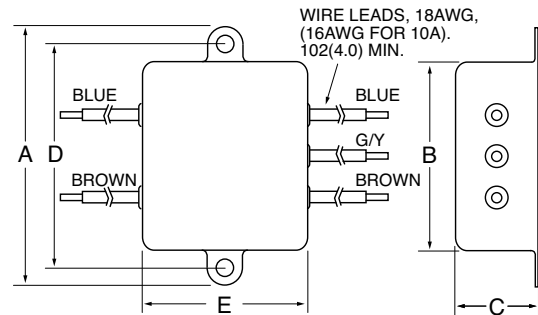
F1199AA (1, 2, 3, 6, 10 and 20Amp) Dimensions

Amps	A	B	C	D	E
1A	2.53 (64,3)	1.82 (46,2)	0.66 (16,8)	2.126 (54,0)	2.25 (57,2)
2A	2.53 (64,3)	1.82 (46,2)	0.66 (16,8)	2.126 (54,0)	2.25 (57,2)
3A	2.53 (64,3)	1.82 (46,2)	0.78 (19,8)	2.126 (54,0)	2.61 (66,3)
6A	2.53 (64,3)	1.82 (46,2)	0.78 (19,8)	2.126 (54,0)	2.61 (66,3)
10A	2.53 (64,3)	1.82 (46,2)	1.16 (29,5)	2.126 (54,0)	2.61 (66,3)
20A	2.81 (71,4)	2.07 (52,6)	1.16 (29,5)	2.375 (60,33)	3.36 (85,3)



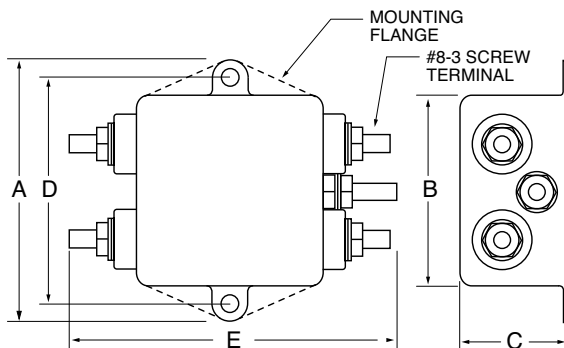
F1199BB (2, 3, 6 and 10Amp) Dimensions

Amps	A	B	C	D	E
2A	2.53 (64,3)	1.82 (46,2)	0.66 (16,8)	2.126 (54,0)	0.96 (24,4)
3A	2.53 (64,3)	1.82 (46,2)	0.78 (19,8)	2.126 (54,0)	1.32 (33,5)
6A	2.53 (64,3)	1.82 (46,2)	0.78 (19,8)	2.126 (54,0)	1.32 (33,5)
10A	2.53 (64,3)	1.82 (46,2)	1.16 (29,5)	2.126 (54,0)	1.32 (33,5)

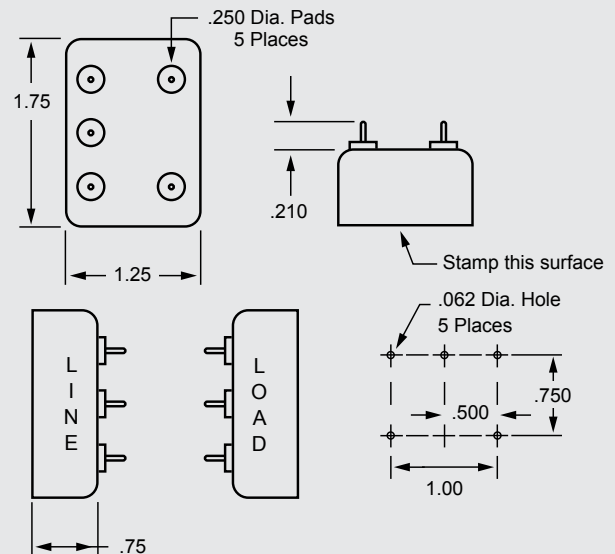


F1199DD (10, 20 and 30Amp) Dimensions

Amps	A	B	C	D	E
10A	2.53 (64,3)	1.82 (46,2)	1.16 (29,5)	2.126 (54,0)	2.72 (69,1)
20A	2.81 (71,4)	2.07 (52,6)	1.16 (29,5)	2.375 (60,33)	3.46 (87,9)
30A	4.20 (106,7)	3.38 (85,9)	1.53 (38,9)	3.75 (95,25)	5.34 (135,6)



F1100PP Recommended PC Mounting



General Purpose

SINGLE PHASE FILTERS

