

Excellent Integrated System Limited

Stocking Distributor

Click to view price, real time Inventory, Delivery & Lifecycle Information:

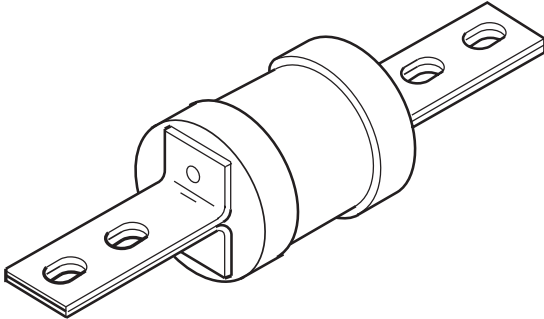
[Eaton \(formerly Cooper Bussmann\)](#)
[EF355](#)

For any questions, you can email us directly:

sales@integrated-circuit.com

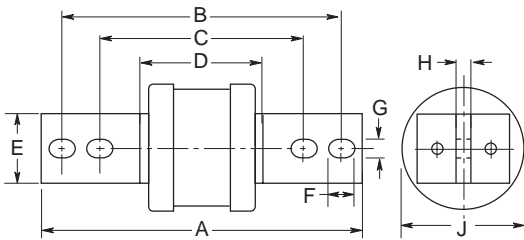
Industrial HRC Fuse

38 x 212mm, BS88, IEC 269-1
Center Bolted Tags

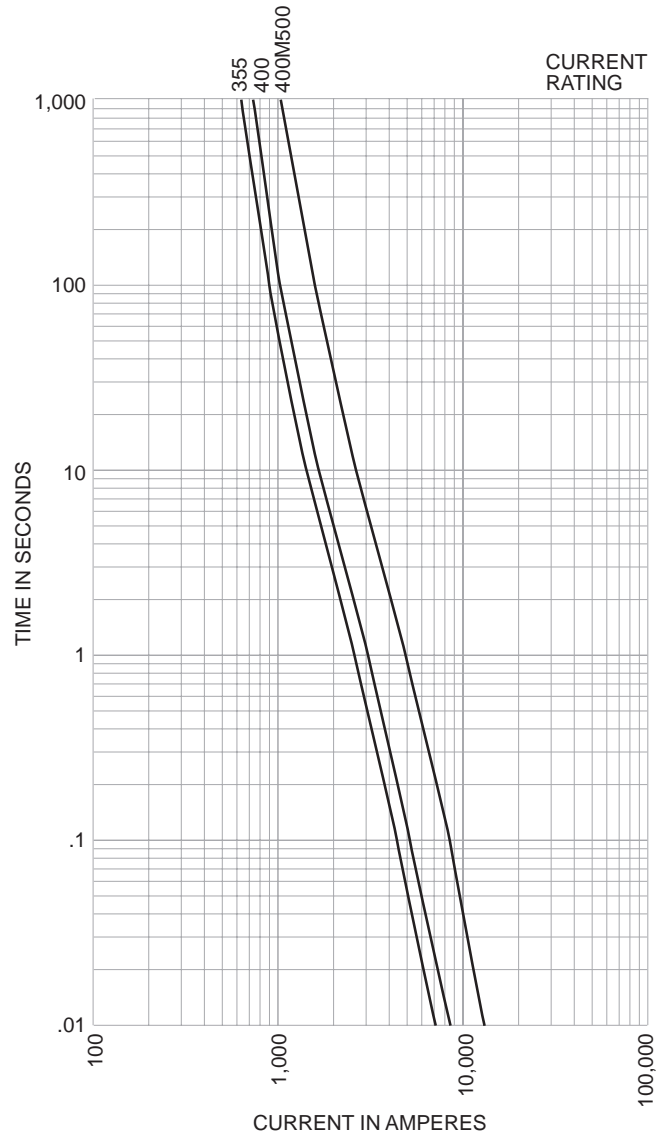


CATALOG SYMBOL: EF
INDUSTRIAL HRC FUSE
CENTER BOLTED TAGS
PACKAGE QUANTITY: 1
80KA INTERRUPTING RATING

Dimensional Data:



Time-Current Characteristic Curve (Full Size Curves Available)



Electrical Characteristics

Catalog Number	Ampere Rating	I ² T (Amp ² Seconds)		Watts Loss	Nom Rated Voltage	Dimensions (Inches/mm)								
		Pre-Arcing	Total At 415V			A	B	C	D	E	F	G	H	J
EF355	355	360,000	865,000	24	415AC 550AC	210.0	187.0	136.0	75.0	25.4	15.5	10.5	4.7	59.0
EF400	400	475,000	1,150,000	29		210.0	185.0	134.0	77.5	25.4	15.5	10.5	6.4	74.0
EF400M500	400M500	1,200,000	2,700,000	27		210.0	185.0	134.0	77.5	25.4	15.5	10.5	6.4	74.0

The only controlled copy of this BIF document is the electronic read-only version located on the Bussmann Network Drive. All other copies of this BIF document are by definition uncontrolled. This bulletin is intended to clearly present comprehensive product data and provide technical information that will help the end user with design applications. Bussmann reserves the right, without notice, to change design or construction of any products and to discontinue or limit distribution of any products. Bussmann also reserves the right to change or update, without notice, any technical information contained in this bulletin. Once a product has been selected, it should be tested by the user in all possible applications.