

## Excellent Integrated System Limited

Stocking Distributor

Click to view price, real time Inventory, Delivery & Lifecycle Information:

[Eaton \(formerly Cooper Bussmann\)](#)  
[FG450](#)

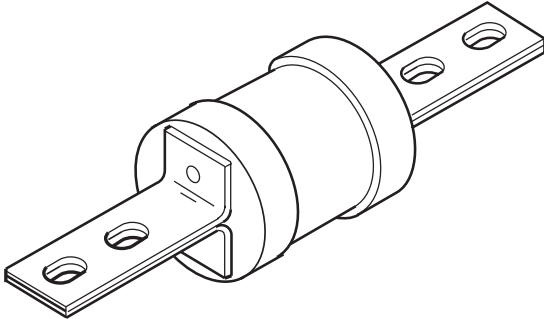
For any questions, you can email us directly:

[sales@integrated-circuit.com](mailto:sales@integrated-circuit.com)

# Industrial HRC Fuse

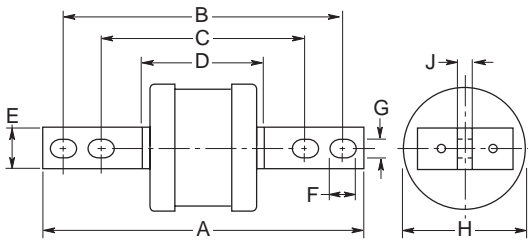
74 x 268mm, BS88, IEC 269-1  
Center Bolted Tags

FG

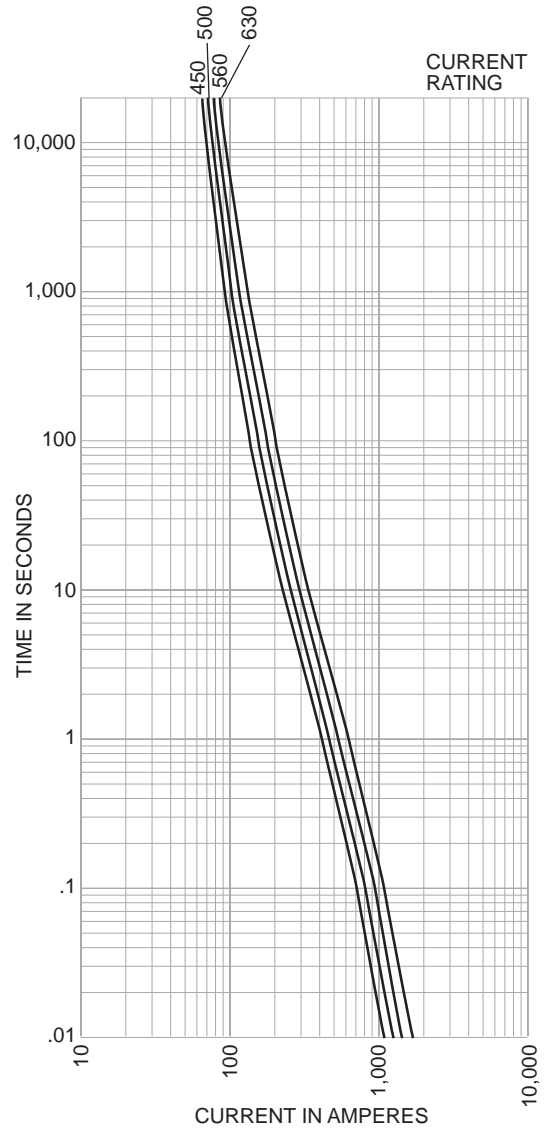


CATALOG SYMBOL: FG  
INDUSTRIAL HRC FUSE  
CENTER BOLTED TAGS  
PACKAGE QUANTITY: 1  
80kA INTERRUPTING RATING

**Dimensional Data:**



**Time-Current Characteristic Curve (Full Size Curves Available)**



**Electrical Characteristics**

Catalog Number	Ampere Rating	I <sup>2</sup> T (Amp <sup>2</sup> Seconds x 10 <sup>3</sup> )			Watts Loss	Nom Rated Voltage	Dimensions (Inches/mm)								
		Pre-Arcing	Total At 415V	Total At 550V			A	B	C	D	E	F	G	H	J
FG450	450	880	1600	2200	32	550AC 400DC	262.0	231.0	167.0	77.5	38.0	15.5	10.5	2.94 74.0	6.4
FG500	500	1100	2000	2800	38										
FG560	560	1400	2400	3500	43										
FG630	630	2000	3500	5000	50										

The only controlled copy of this BIF document is the electronic read-only version located on the Bussmann Network Drive. All other copies of this BIF document are by definition uncontrolled. This bulletin is intended to clearly present comprehensive product data and provide technical information that will help the end user with design applications. Bussmann reserves the right, without notice, to change design or construction of any products and to discontinue or limit distribution of any products. Bussmann also reserves the right to change or update, without notice, any technical information contained in this bulletin. Once a product has been selected, it should be tested by the user in all possible applications.