



Excellent Integrated System Limited

Stocking Distributor

Click to view price, real time Inventory, Delivery & Lifecycle Information:

[TE Connectivity AMP Connectors](#)
[1-350380-1](#)

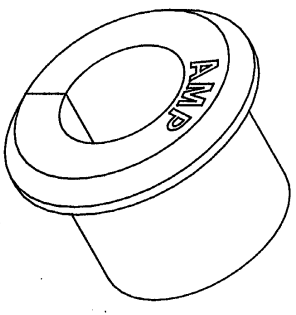
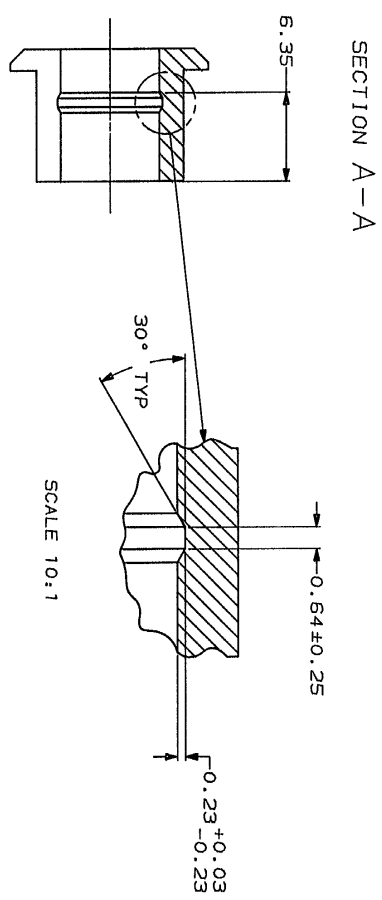
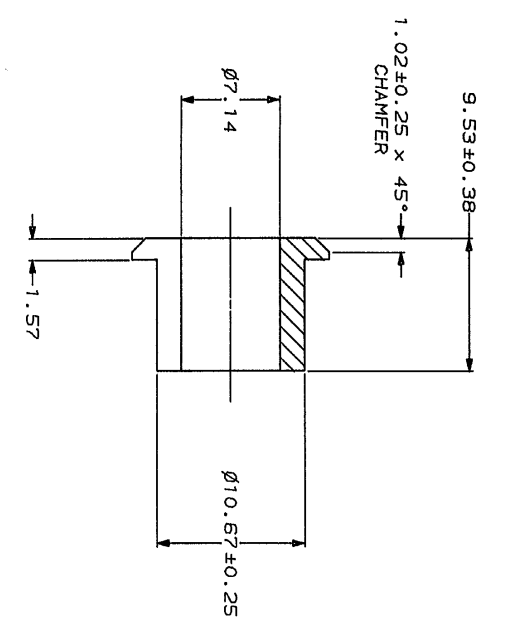
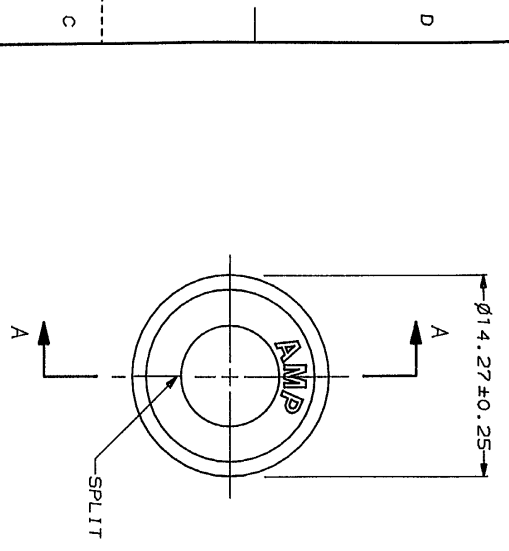
For any questions, you can email us directly:

sales@integrated-circuit.com



THIS DRAWING IS UNPUBLISHED. RELEASED FOR PUBLICATION
 © COPYRIGHT 19 BY AMP INCORPORATED. ALL INTERNATIONAL RIGHTS RESERVED. .19

CM	53	REV	CM-2599	DATE	12-8-89	APPRO	KJ
ZONE	LTR	DESCRIPTION	REVISIONS	DATE	APPRO	REV	BY
F	REDWN	AND REV PER EGN	CM-2599	12-8-89	KJ	55	



3-DIMENSIONAL MODEL
 NTS

	MM	IN	MM	IN	MM	IN
0.38	.015	7.14	.281	-	-	-
0.25	.010	6.35	.250	-	-	-
0.23	.009	1.57	.062	14.27	.562	-
0.13	.005	1.02	.040	10.67	.420	-
0.03	.001	0.64	.025	9.53	.375	-

CONVERSION TABLE

- USE WITH STRAIN RELIEF 350374.
- MOLDING COMPOUND PVC, FLEXIBLE, 55/75 DURCHMETER (B SCALE), BLACK.

METRIC

DO NOT SCALE PRINT.
 UNLESS SPECIFIED (INCHES)
 DIMENSIONS IN MM
 2 PLC DEC ± 0.13
 ANGLES ± 1.0°
 MATERIAL

DR. *[Signature]* 12-7-89
 CHK. *[Signature]* 12-8-89
 APPD. *[Signature]* 12-11-89
 PRODUCT SPEC

NAME: GROMMET, SPLIT, M.R.
 AMP INCORPORATED
 NEW BRIDGE, Pa. 17105

FINISH	-	APPLICATION SPEC	-	HEIGHT	-	SCALE	4:1
SIZE	C	CAGE CODE	00779	DRAWING NO	350380	SHEET	1 OF 1

AMP 1-350380 REV 8-89

3D

CUSTOMER DRAWING

350380