

## Excellent Integrated System Limited

Stocking Distributor

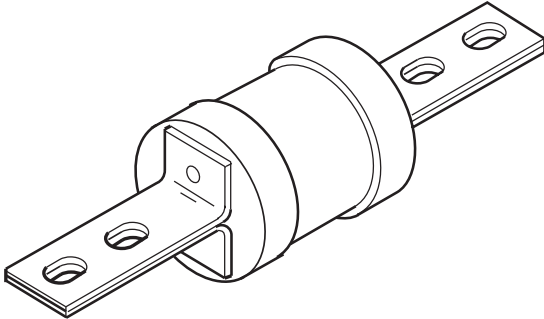
Click to view price, real time Inventory, Delivery & Lifecycle Information:

[Eaton \(formerly Cooper Bussmann\)  
GF800](#)

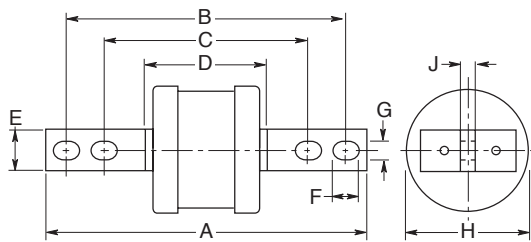
For any questions, you can email us directly:

[sales@integrated-circuit.com](mailto:sales@integrated-circuit.com)

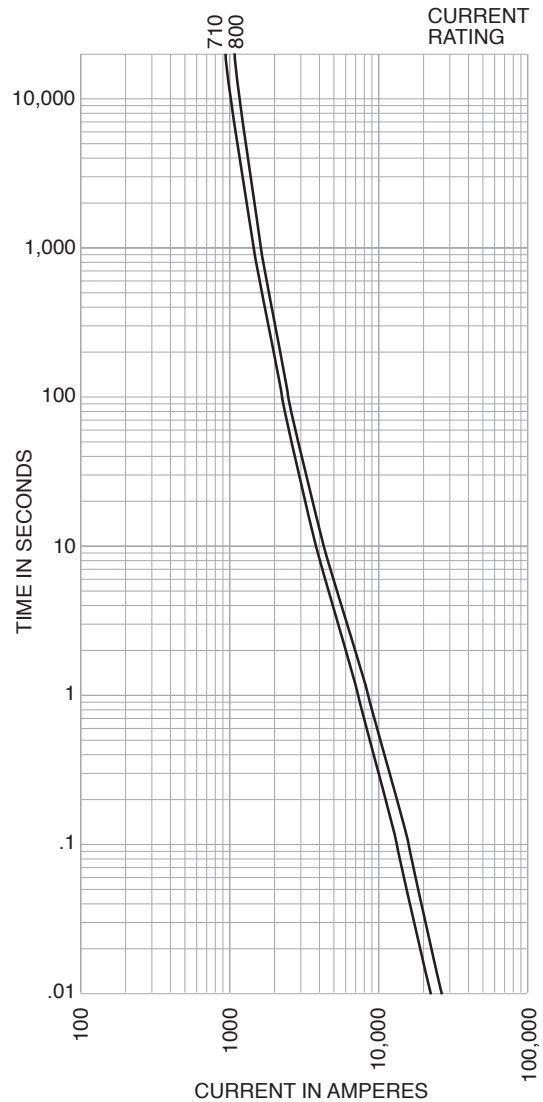
**Industrial HRC Fuse**  
**84 x 212mm, BS88, IEC 269-1**  
**Center Bolted Tags**



CATALOG SYMBOL: GF  
INDUSTRIAL HRC FUSE  
CENTER BOLTED TAGS  
PACKAGE QUANTITY: 20  
80KA INTERRUPTING RATING



- British standard low voltage industrial fuses.
- General purpose, type gG.
- Used in general industrial motor circuits.



**Electical Characteristics**

Catalog Number	Ampere Rating	I <sup>2</sup> t (A <sup>2</sup> s x 10 <sup>3</sup> )			Watts Loss	Nom Rated Voltage	Dimensions (mm)									
		Pre-Arcing	Total at 415V	Total at 550V			A	B	C	D	E	F	G	H	J	
GF710	710	3500	8100	11,000	53	550AC	210.0	185.0	134.0	80.5	25.4	15.5	10.5	83.0	9.5	
GF800	800	5050	11,500	15,500	64	250DC										

The only controlled copy of this BIF document is the electronic read-only version located on the Bussmann Network Drive. All other copies of this BIF document are by definition uncontrolled. This bulletin is intended to clearly present comprehensive product data and provide technical information that will help the end user with design applications. Bussmann reserves the right, without notice, to change design or construction of any products and to discontinue or limit distribution of any products. Bussmann also reserves the right to change or update, without notice, any technical information contained in this bulletin. Once a product has been selected, it should be tested by the user in all possible applications.