



Distributor of Eaton (formerly Cooper Bussmann) : Excellent Integrated System Limited

Datasheet of OSD100 - FUSE INDUST 100A 415V BS IEC

Contact us: sales@integrated-circuit.com Website: www.integrated-circuit.com

Excellent Integrated System Limited

Stocking Distributor

Click to view price, real time Inventory, Delivery & Lifecycle Information:

[Eaton \(formerly Cooper Bussmann\)](#)
[OSD100](#)

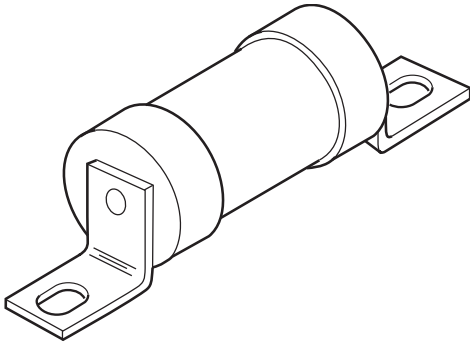
For any questions, you can email us directly:

sales@integrated-circuit.com

Industrial HRC Fuse

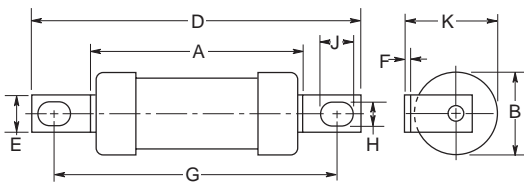
21.4 x 95mm, BS88, IEC 269-1
Offset Bolted Tags

OSD

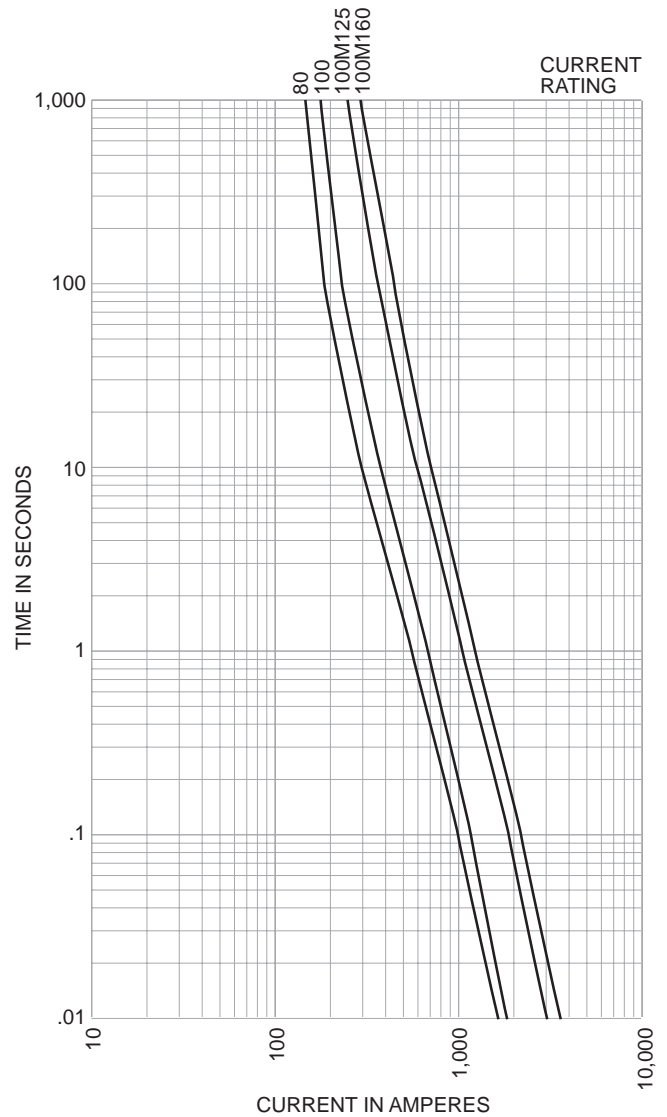


CATALOG SYMBOL: OSD
INDUSTRIAL HRC FUSE
OFFSET BOLTED TAGS
PACKAGE QUANTITY: 20
80KA INTERRUPTING RATING
MOUNTS ON BH-0111 MODULAR FUSEBLOCK

Dimensional Data:



Time-Current Characteristic Curve (Full Size Curves Available)



Electrical Characteristics

Catalog Number	Ampere Rating	I ² T (Amp ² Seconds)			Nom Watts Loss	Rated Voltage	Dimensions (Inches/mm)									
		Pre-Arcing	Total At 415V	Total At 550V			A	B	D	E	F	G	H	J	K	
OSD80	80	13,000	35,200	50,000	7.2	550AC	54.5	21.0	95.0	12.7	0.05	73.5	5.5	7.8	22.3	
OSD100	100	25,000	76,500	95,600	8.5		54.0	25.7	94.5	12.7	1.2	73.0	5.5	7.8	24.7	
OSD100M125	100M125	57,000	150,000	—	11	415AC										
OSD100M160	100M160	72,500	190,000	—	13											

The only controlled copy of this BIF document is the electronic read-only version located on the Bussmann Network Drive. All other copies of this BIF document are by definition uncontrolled. This bulletin is intended to clearly present comprehensive product data and provide technical information that will help the end user with design applications. Bussmann reserves the right, without notice, to change design or construction of any products and to discontinue or limit distribution of any products. Bussmann also reserves the right to change or update, without notice, any technical information contained in this bulletin. Once a product has been selected, it should be tested by the user in all possible applications.