

## Excellent Integrated System Limited

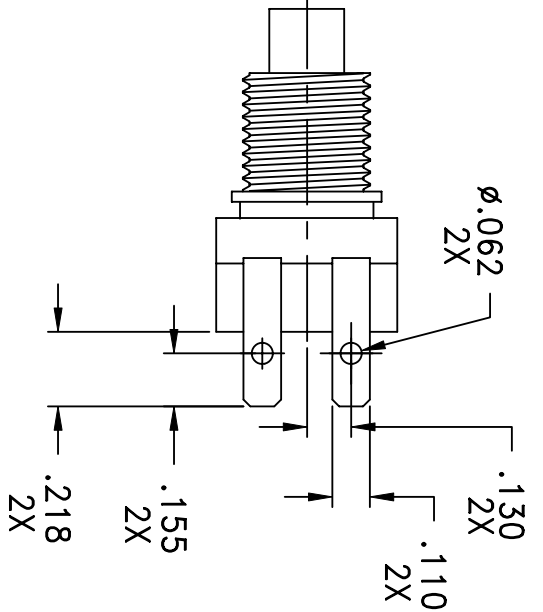
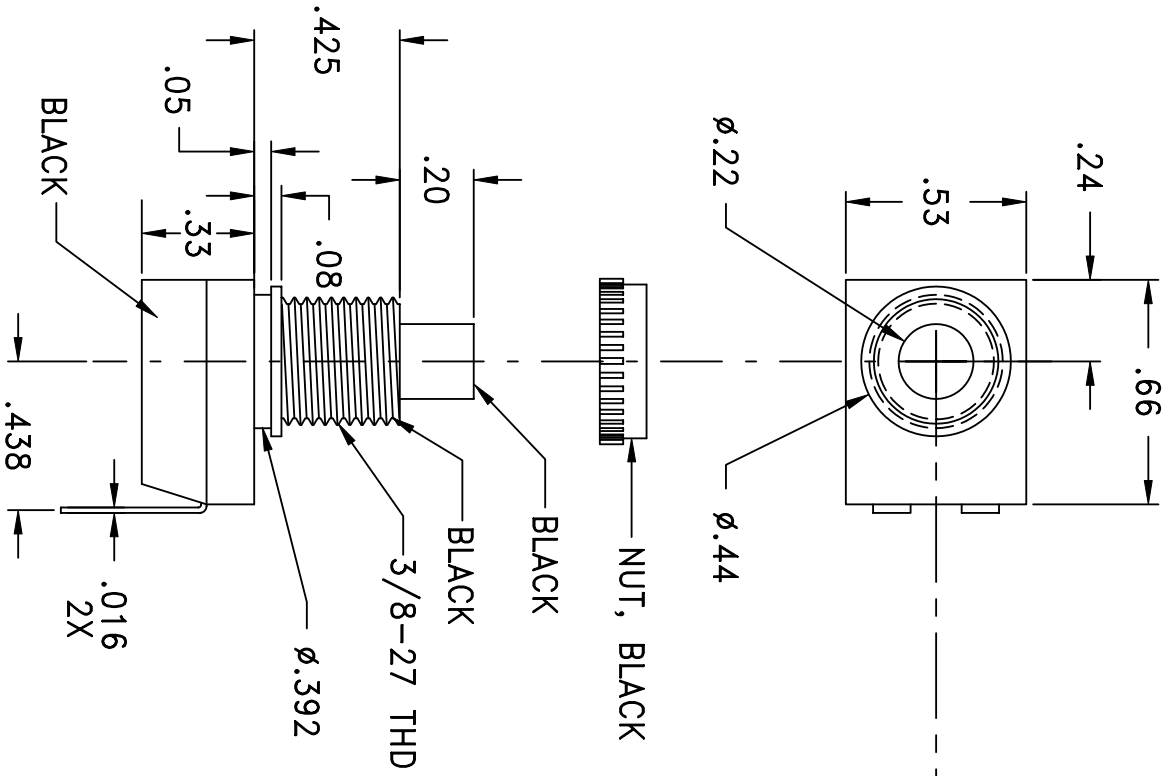
Stocking Distributor

Click to view price, real time Inventory, Delivery & Lifecycle Information:

[Judco Manufacturing, Inc.](#)  
[40-4689-00](#)

For any questions, you can email us directly:

[sales@integrated-circuit.com](mailto:sales@integrated-circuit.com)



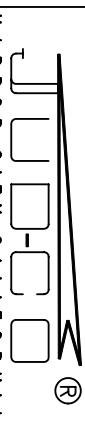
LTR	EN	DESCRIPTION	APPR	BY	DATE
A	-	INITIAL RELEASE	MT	DC	12-28-07

JUDCO INVENTORY NO. 40-4689-00  
 SWITCH TYPE: MOMENTARY, NORMALLY CLOSED  
 NUT INCLUDED

CUSTOMER: DIGI-KEY  
 CUSTOMER PN: TBD

APPROVED BY: \_\_\_\_\_  
 DATE: \_\_\_\_\_

DIMENSIONS IN INCHES  
 DIMENSIONS ARE REFERENCE



DRAWN: DC 12-28-07  
 APPR: KJ 12-28-07  
 ENG: IS 12-28-07

TITLE  
 J-188A-3 NON UL W/BENT TRMS  
 DWG. NO. 1415-1285

1415U1285A.DWG

SHEET 1 OF 1

This document embodies a product, component, and/or design proprietary to JUDCO MANUFACTURING INC., and which is protected either as a trade secret, by U.S. Patent, or by copyright. It may not be used in any way without written express consent of JUDCO MANUFACTURING INC.