



Excellent Integrated System Limited

Stocking Distributor

Click to view price, real time Inventory, Delivery & Lifecycle Information:

[TE Connectivity AMP Connectors](#)
[1-1337619-0](#)

For any questions, you can email us directly:

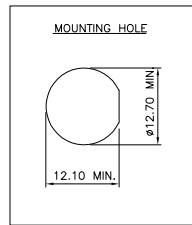
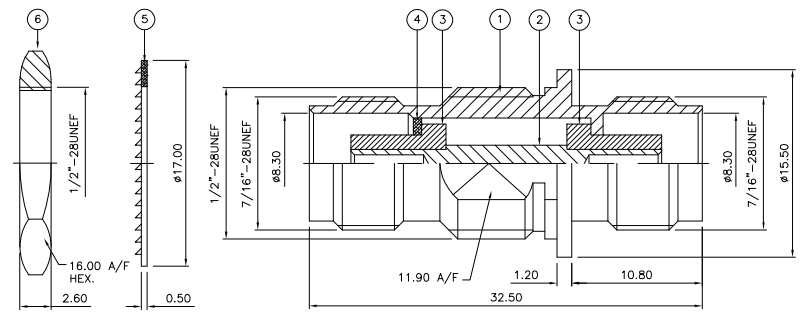
sales@integrated-circuit.com

THIS DRAWING IS UNPUBLISHED. RELEASED FOR PUBLICATION MAY, 2006.

© COPYRIGHT 2006 BY TYCO ELECTRONICS CORPORATION. ALL RIGHTS RESERVED.

LOC	DIST	REVISIONS			
P	LTR	DESCRIPTION	DATE	DWN	APVD
E	B	C	ECR-06-010127	16MAY06	JMS FWK

- NOTES:**
- ▲ PACK IN ACCORDANCE WITH AMP SPEC 107-3275
 - ▲ 100 TRAY PACK IN ACCORDANCE WITH AMP SPEC 107-3275
 - ▲ Au PLATING
 - ▲ Ni PLATING
- 5 ELECTRICAL CHARACTERISTICS**
- | | |
|-------------------------------|----------------------------|
| FREQUENCY RANGE: | DC - 11 GHz |
| NOMINAL IMPEDANCE: | 50 Ohm |
| INSULATION RESISTANCE: | 5000 MOhm |
| WORKING VOLTAGE: | 500 Volts RMS at Sea Level |
| DIELECTRIC WITHSTAND VOLTAGE: | 1500 Volts RMS Max |
| CONTACT RESISTANCE: | 1.50 mOhm Max |
| CENTRE CONTACT: | 1.00 mOhm Max |
| OUTER CONTACT: | 0.20 Max |
| INSERTION LOSS db: | 0.20 Max |
- 6 MECHANICAL CHARACTERISTICS**
- | | |
|-------------------------------|----------------|
| MOUNT NUT RECOMMENDED TORQUE: | 4N |
| DURABILITY: | 500 Cycles Min |
- 7 ENVIRONMENTAL CHARACTERISTICS**
- | | |
|------------------------|------------------|
| OPERATING TEMPERATURE: | -65 to +165 DegC |
|------------------------|------------------|
- 8 FOR TECHNICAL DATA REFER TO YOUR LOCAL TYCO ELECTRONICS SALES OFFICE
- 9 ALL DIMENSIONS ARE NOMINAL FOR REFERENCE ONLY UNLESS OTHERWISE STATED



QTY	1	1	MATERIAL	DESCRIPTION	ITEM
	1	1	BRASS	▲ HEXAGONAL NUT	6
	1	1	STEEL	▲ LOCKWASHER	5
	1	1	BRASS	▲ WASHER	4
	2	2	PTFE	▲ INSULATION	3
	1	1	BRASS	▲ CONTACT	2
	1	1	BRASS	▲ BODY	1
	6-0	1-0			

THIS DRAWING IS A CONTROLLED DOCUMENT.		DWN	J.SANDWELL	16MAY06	 Tyco Electronics Corporation Bideford EX39 4HE
DIMENSIONS: mm		CHK	S.PARLOW	16MAY06	
TOLERANCES UNLESS OTHERWISE SPECIFIED:		APVD	F.WHEELER-KING	16MAY06	
0 PLC ± 1 PLC ± 2 PLC ± 3 PLC ± 4 PLC ± ANGLES ±		NAME	TNC BULKHEAD ADAPTOR J-J 50 OHM		
MATERIAL SEE TABLE		PRODUCT SPEC	-		RESTRICTED TO
		APPLICATION SPEC	-		
		FINISH	-		
		WEIGHT	-		
		CUSTOMER DRAWING	SIZE	A3	
			CAGE CODE	00779	
			DRAWING NO	1337619	
			SCALE	NTS	
			SHEET	1	
			OF	1	
			REV	C	