



## **Excellent Integrated System Limited**

Stocking Distributor

Click to view price, real time Inventory, Delivery & Lifecycle Information:

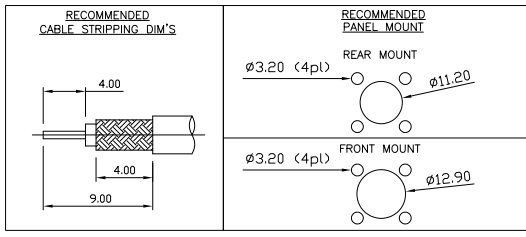
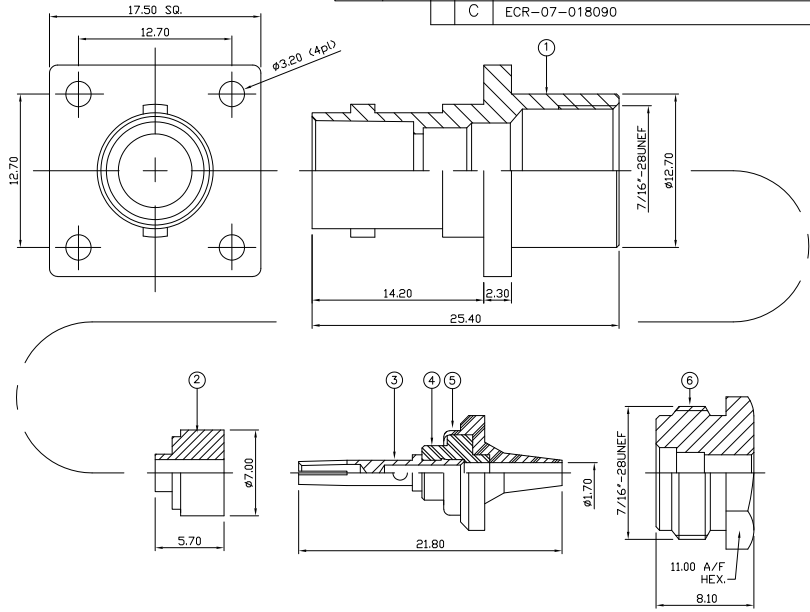
[TE Connectivity AMP Connectors](#)  
[1-1478132-0](#)

For any questions, you can email us directly:  
[sales@integrated-circuit.com](mailto:sales@integrated-circuit.com)

THIS DRAWING IS UNPUBLISHED. RELEASED FOR PUBLICATION JULY, 2006.  
 © COPYRIGHT 2006 BY TYCO ELECTRONICS CORPORATION. ALL RIGHTS RESERVED.

LOC		DIST		REVISIONS			
P	LTR	DESCRIPTION	DATE	DWN	APVD		
C		ECR-07-018090	01/08/07	AM	FWK		

- NOTES:**
- △ SINGLE PACK IN ACCORDANCE WITH AMP SPEC 107-3275
  - △ 100 TRAY PACK IN ACCORDANCE WITH AMP SPEC 107-3275
  - △ Ag PLATING
- 4 ELECTRICAL CHARACTERISTICS**
- |                               |                            |
|-------------------------------|----------------------------|
| FREQUENCY RANGE:              | DC - 2 GHz                 |
| NOMINAL IMPEDANCE:            | 75 Ohm                     |
| INSULATION RESISTANCE:        | 5000 MOhm                  |
| WORKING VOLTAGE:              | 500 Volts RMS at Sea Level |
| DIELECTRIC WITHSTAND VOLTAGE: | 1500 Volts RMS Max         |
| CONTACT RESISTANCE:           |                            |
| CENTRE CONTACT:               | 1.50 mOhm Max              |
| OUTER CONTACT:                | 0.20 mOhm Max              |
| VSWR @ 2GHz:                  | 1.20:1 Max                 |
| INSERTION LOSS dB @ x 2 GHz:  | 0.20 Max                   |
- 5 MECHANICAL CHARACTERISTICS**
- |                               |                |
|-------------------------------|----------------|
| COUPLING RETENTION FORCE:     | N/A            |
| CABLE RETENTION FORCE:        | 85N Min        |
| CLAMP NUT RECOMMENDED TORQUE: | 4N             |
| DURABILITY:                   | 500 Cycles Min |
- 6 ENVIRONMENTAL CHARACTERISTICS**
- OPERATING TEMPERATURE: -65 to +165 DegC
- 7 FOR TECHNICAL DATA REFER TO YOUR LOCAL TYCO ELECTRONICS SALES OFFICE**
- 8 ALL DIMENSIONS ARE NOMINAL FOR REFERENCE ONLY UNLESS OTHERWISE STATED**



QTY	1	1	MATERIAL	DESCRIPTION	ITEM
			BRASS	CLAMP NUT	6
			BRASS	SLEEVE	5
			PTFE	INSULATION	4
			BRASS	CONTACT	3
			PTFE	INSULATION	2
			BRASS	BODY	1
	6--0	1--0			

THIS DRAWING IS A CONTROLLED DOCUMENT.

DIMENSIONS:	mm	TOLERANCES UNLESS OTHERWISE SPECIFIED:	0 PLC ± .05	1 PLC ± .05	2 PLC ± .05	3 PLC ± .05	4 PLC ± .05	ANGLES ± .05
MATERIAL:	SEE TABLE	FINISH:						

DIN	J. SANDWELL	04JUL06
CHK	S. PARLOW	04JUL06
APVD	F. WHEELER-KING	04JUL06
PRODUCT SPEC		
APPLICATION SPEC	411-3269	
WEIGHT	-	

PARTS LIST		
NAME	Tyco Electronics Corporation	
Bideford EX39 4HE		
BNC STRAIGHT PANEL WEDGE CLAMP JACK 75 OHM		
RG179B/U, 187A/U, URM111		
SIZE	CAGE CODE	DRAWING NO
A3	00779	C=1478132
CUSTOMER DRAWING		
SCALE	SHEET	REV
NTS	1 OF 1	C