

Excellent Integrated System Limited

Stocking Distributor

Click to view price, real time Inventory, Delivery & Lifecycle Information:

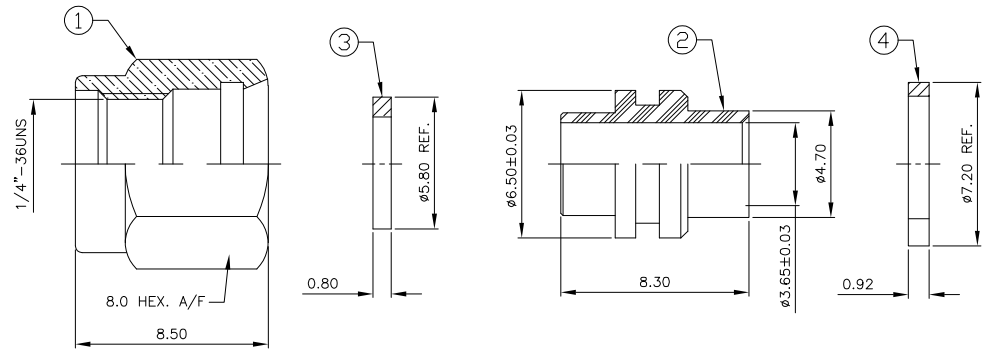
[TE Connectivity AMP Connectors](#)
[1-1478902-0](#)

For any questions, you can email us directly:
sales@integrated-circuit.com

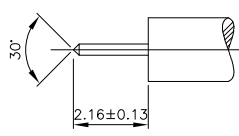
THIS DRAWING IS UNPUBLISHED. RELEASED FOR PUBLICATION APRIL, 2004.
 © COPYRIGHT 2004 BY TYCO ELECTRONICS CORPORATION. ALL RIGHTS RESERVED.

LOC	DIST	REVISIONS			
P	LTR	DESCRIPTION	DATE	DWN	APVD
E	B	B	EBD0-0189-04	22APR04	RS FWK

- NOTES:
- 1 SINGLE PACK IN ACCORDANCE WITH SPEC 107-3275
 - 2 100 TRAY PACK IN ACCORDANCE WITH SPEC 107-3275
 - 3 0.08µm Au PLATING OVER 1.27µm Ni PLATING
 - 4 PASSIVATED (GOLD PLATED CABLE ENTRY)
 - 5 FOR TECHNICAL DATA REFER TO YOUR LOCAL TYCO ELECTRONICS SALES OFFICE
 - 6 ALL DIMENSIONS ARE NOMINAL FOR REFERENCE ONLY UNLESS OTHERWISE STATED



RECOMMENDED CABLE STRIPPING DIM'S



QTY	DESCRIPTION	MATERIAL	ITEM
1	CIRCLIP	STAINLESS STEEL	4
1	GASKET	SILICON	3
1	BODY	STAINLESS STEEL	2
1	BODY	STAINLESS STEEL	2
1	SHELL	STAINLESS STEEL	1
1	SHELL	STAINLESS STEEL	1
2--1	DESCRIPTION	MATERIAL	ITEM

THIS DRAWING IS A CONTROLLED DOCUMENT.				QUANTITY PER ASSY		PARTS LIST	
DWN	R. SMITH	28JAN04		1	1	1	1
CHK	S. PARLOW	28JAN04		1	1	1	1
APVD	F. WHEELER-KING	28JAN04		1	1	1	1
PRODUCT SPEC	108-3460			2--1	2--0	1--1	1--0
APPLICATION SPEC	411-3276						
MATERIAL	SEE TABLE						
FINISH							
SIZE	A3	CAGE CODE	00779	DRAWING NO	C=1478902		RESTRICTED TO
WEIGHT	-	SCALE	1:1	SHEET	1	OF	1
CUSTOMER DRAWING							REV B