



**Distributor of TE Connectivity AMP Connectors: Excellent Integrated System Limited**  
Datasheet of 1734468-2 - D-Sub Connector Receptacle, Female Sockets 25 Position Through  
Hole, Right Angle Solder

Contact us: [sales@integrated-circuit.com](mailto:sales@integrated-circuit.com) Website: [www.integrated-circuit.com](http://www.integrated-circuit.com)

---

## **Excellent Integrated System Limited**

Stocking Distributor

Click to view price, real time Inventory, Delivery & Lifecycle Information:

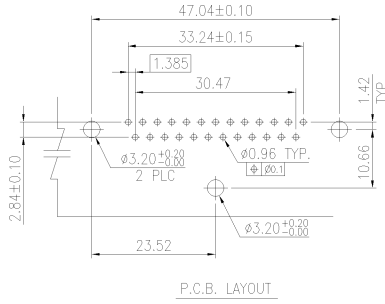
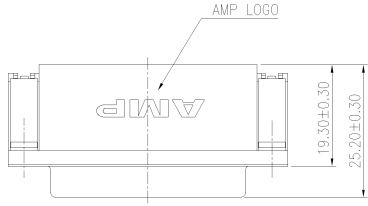
[TE Connectivity AMP Connectors  
1734468-2](#)

For any questions, you can email us directly:

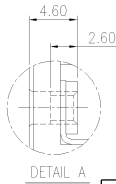
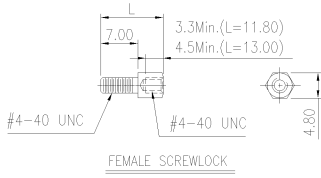
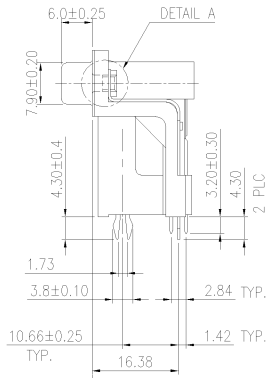
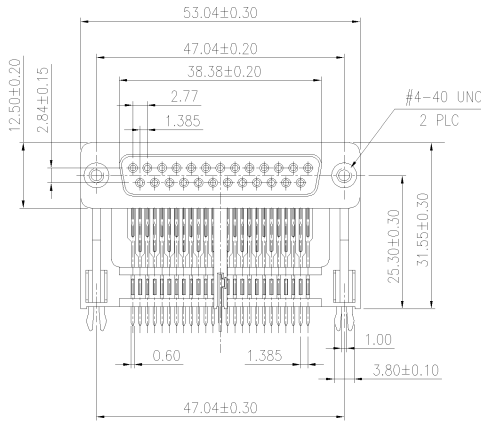
[sales@integrated-circuit.com](mailto:sales@integrated-circuit.com)

NUMBER: C-1734468

METRIC  
 3RD ANGLE PROJECTION



- NOTES:
- ROHS 2002/95/EC COMPLIANT
1. MATERIAL:
- HOUSING: THERMOPLASTIC, UL94V-0; COLOR : BURGUNDY (PC99 235C)
  - CONTACTS: BRASS
  - BOARDLOCK :STEEL
  - METAL SHELL : STEEL
  - THREADED INSERTS : BRASS.
  - SCREWLOCK : BRASS.
2. FINISH:
- CONTACT:
    - GOLD FLASH PLATING ON CONTACT AREA.
    - 100u" MIN. TIN PLATING ON SOLDER TAIL AREA.
    - 50u" MIN. NICKEL UNDERPLATING OVERALL.
  - BOARDLOCK:
    - 100u" MIN TIN PLATING ON SOLDER TAILS.
    - 50u" MIN NICKEL UNDERPLATING OVERALL.
  - METAL SHELL : 50u" MIN. NICKEL PLATING.
  - THREADED INSERTS : NICKEL PLATING.
  - SCREWLOCK : NICKEL PLATING.
3. WAVE SOLDER CAPABLE TO 265°C PER TYCO SPEC. 109-202, CONDITION B.



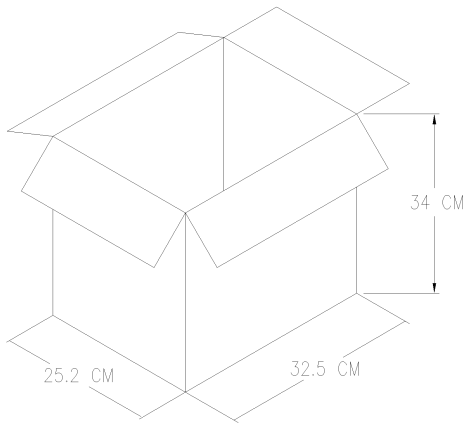
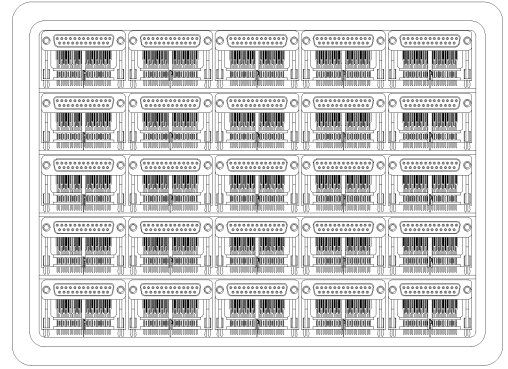
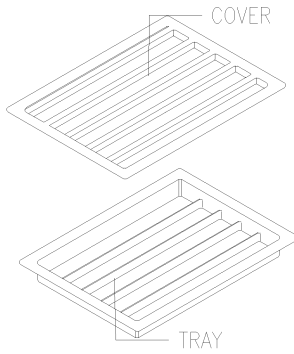
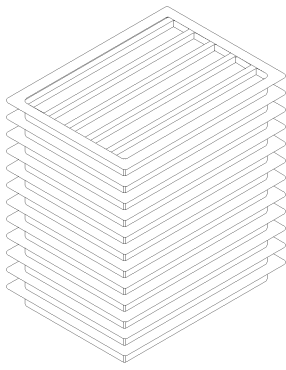
L=11.80	1734468-3
L=13.00	1734468-2
W/O SCREWLOCK	1734468-1
SCREWLOCK	PART NUMBER

TOLERANCES UNLESS OTHERWISE SPECIFIED:	DWN	J. LEE	11-MAR-2005	<b>tyco</b>	TYCO HOLDINGS (BERMUDA)
0 PLC	±	CHK	S. HOU	<b>Electronics</b>	VI LTD, TAIWAN BRANCH
1 PLC	±0.3		17-MAR-2005	NAME	
2 PLC	±0.2				
3 PLC	±				
ANGLES	± 3°				
MATERIAL	SEE NOTE	APVD	W.J. KE		D-SUB HIGH-RISE
			17-MAR-2005		25Pos. RCPT.
		PRODUCT SPEC	108-57541		
FINISH	SEE NOTE	QUALIFICATION TEST REPORT	501-57623	LDC	DRAWING NO
		WEIGHT	25.5 GRAM	DW	A <sub>3</sub> C-1734468
				SCALE	SHEET
				--	1 OF 2

O	FIRST RELEASED	FZ00-0029-05	JL	SH	11 MAR 2005
LTR	REVISION RECORD	ECN	DWN	CHK	DATE

PRINT DIST DW

NUMBER: C-1734468  
 3RD ANGLE PROJECTION  
 METRIC



PCS/TRAY	25
TRAY/BOX	12
TOTAL (PCS)	300
CTN SIZE	32.5 * 25.2 * 34 CM
NW	7.67 Kg
GW	9.07 Kg

TOLERANCES UNLESS OTHERWISE SPECIFIED:		DWN	J. LEE	11-MAR-2005	TYCO HOLDINGS (BERMUDA) VI LTD, TAIWAN BRANCH
0 P/LD	±	CHK	S. HOU	17-MAR-2005	
1 P/LC	±0.3	MATERIAL			NAME
2 P/LC	±0.2	APVD	W.J. KE	17-MAR-2005	D-SUB HIGH-RISE 25Pos. RCPT.
3 P/LC	±	SEE NOTE	PRODUCT SPEC	---	LDC
4 P/LC	±	FINISH	QUALIFICATION TEST REPORT	---	SIZE
ANGLES	± 3'	SEE NOTE	WEIGHT	---	DW
					DRAWING NO
					C-1734468
					REV
					0
					SCALE
					---
					SHEET
					2 OF 2

SEE SHEET 1	ECN	DWN	DATE
LTR	REVISION RECORD	CHK	

PRINT DW  
 THIS INFORMATION IS CONFIDENTIAL AND IS DISCLOSED TO YOU ON CONDITION THAT YOU WILL NOT REPRODUCE OR DISSEMINATE IT IN ANY MANNER WITHOUT WRITTEN AUTHORIZATION FROM AMP CONNECTORS LTD. DIMENSIONS IN MILLIMETERS. DO NOT SCALE PRINT.

8 7 6 5 4 3 2 1 CUSTOMER DRAWING