



Distributor of TE Connectivity AMP Connectors: Excellent Integrated System Limited
Datasheet of 1734608-1 - D-Sub Connector Receptacle, Female Sockets 15 Position Through
Hole Solder

Contact us: sales@integrated-circuit.com Website: www.integrated-circuit.com

Excellent Integrated System Limited

Stocking Distributor

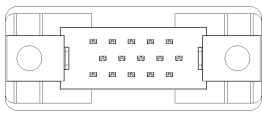
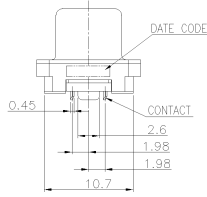
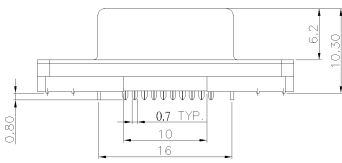
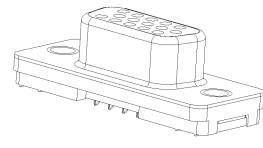
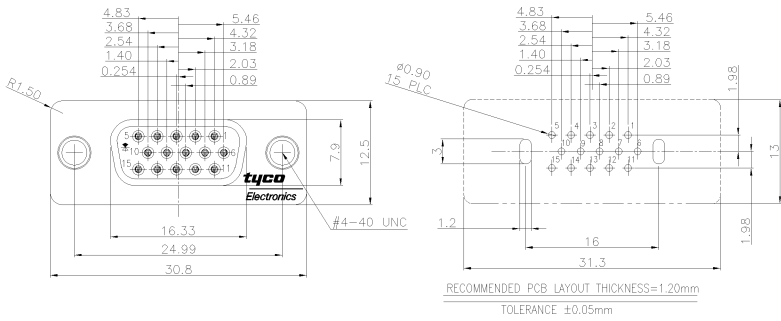
Click to view price, real time Inventory, Delivery & Lifecycle Information:

[TE Connectivity AMP Connectors](#)
[1734608-1](#)

For any questions, you can email us directly:

sales@integrated-circuit.com

NUMBER: C-1734608
 METRIC
 3RD ANGLE PROJECTION



NOTES:

1. MATERIAL:
 - 1.1. HOUSING&COVER: HIGHT TEMP, THERMO PLASTIC
UL94V-0, COLOR: BLACK
 - 1.2. CONTACT: PHOSPHOR BRONZE
 - 1.3. SHELL: CARBON STEEL
 - 1.4. THREAD INSERT: BRASS
2. FINISH:
 - 2.1. CONTACT: 15u"MIN GOLD PLATING ON CONTACT AREA,
100u"MATTE TIN ON SOLDER TAIL.
50~80u"NICHEL PLATING OVER ALL.
 - 2.2. SHELL: 50~80u"NICHEL
 - 2.3. THREAD INSERT: 50~80u"NICHEL
3. APPLIED TO IR SOLDERING PROCESS

THIS INFORMATION IS CONFIDENTIAL AND IS DISCLOSED TO YOU ON CONDITION THAT AMP PERSONNEL WITHOUT WRITTEN AUTHORIZATION FROM AMP CONNECTOR LTD., CHANGHAI, CHINA, WILL NOT REPRODUCE OR DISCLOSE THIS INFORMATION IN ANY MANNER. DIMENSIONS IN MILLIMETERS. DO NOT SCALE PRINT.

1734608-1
 PART NUMBER

| | | | | |
|----------------------------------------|-------|-------------|-------------|-----------------------------------------------------------|
| TOLERANCES UNLESS OTHERWISE SPECIFIED: | | DWN | S. HOU | TYCO HOLDINGS (BERMUDA) VI LTD, TAIWAN BRANCH NAME: |
| 0 P/LC | ±0.30 | 06-MAY-2005 | 06-MAY-2005 | |
| 1 P/LC | ±0.30 | CHK | W.J. KE | VALUE: D-SUB 15P V/T, DIP TYPE PRODUCT SPEC: 108-57283 |
| 2 P/LC | ±0.30 | 06-MAY-2005 | 06-MAY-2005 | |
| 3 P/LC | ±0.30 | MATERIAL | APVD | FINISH: QUALIFICATION TEST REPORT 501-57312 |
| 4 P/LC | ±0.30 | SEE NOTE | W.J. KE | |
| ANGLES | ± 3 | FINISH | 06-MAY-2005 | LDC SIZE: DW A3 DRAWING NO: C-1734608 REV: A |
| SEE NOTE | | SEE NOTE | WEIGHT | SCALE: -- |
| SEE NOTE | | 4.45 GRAM | | SHEET: 1 OF 2 |

| | | | | | |
|-----|-----------------|--------------|-----|-------|------|
| | | | | | |
| A | REVISED | FZ00-0028-05 | SH | 05MAY | 2005 |
| O | FIRST RELEASED | FZ00-0265-04 | SH | 12NOV | 2004 |
| LTR | REVISION RECORD | ECN | DWN | DATE | |

8 | 7 | 6 | 5 | 4 | 3 | 2 | 1
 CUSTOMER DRAWING

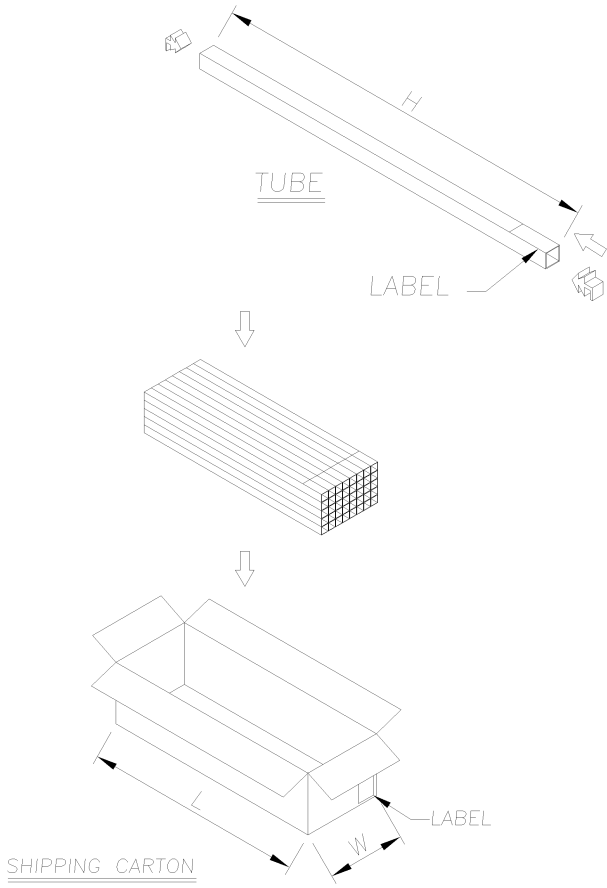
NUMBER C-1734608

3RD ANGLE PROJECTION

METRIC

THIS INFORMATION IS CONFIDENTIAL AND IS DISCLOSED TO YOU ON THE CONDITION THAT YOU WILL NOT DISCLOSE IT TO ANY OTHER PERSONS WITHOUT THE WRITTEN AUTHORIZATION FROM AMP. DRAWING TO BE KEPT IN CONFIDENTIALITY. DIMENSIONS IN MILLIMETERS. DO NOT SCALE PRINT.

PRINT DW



- NOTE:
- MATERIAL :
 - TUBE : PVC
 - SHIPPING CARTON : CORRUGATED FIBER
 - DIMENSION:
 - TUBE: L=16.9,W=14.5, H=510
 - SHIPPING CARTON: L=525, W=160, H=125
 - QUANTITY:
 - PRIMARY PACKING: 15 PCS/TUBE
 - SECONDARY PACKING: 72 TUBE/CARTON(1,080PCS)
 - WEIGHT :
 - NET WEIGHT : 4.80KG
 - GROSS WEIGHT : 9.26KG

SHIPPING CARTON

| | | | |
|-------------|-----------------|-----|------|
| SEE SHEET 1 | | | |
| LTR | REVISION RECORD | ECN | DATE |

| | | | | |
|----------------------------------------|------------------|-------------|------------------------------------------------|--|
| TOLERANCES UNLESS OTHERWISE SPECIFIED: | DWN | S. HOU | TYCO HOLDINGS (BERMUDA) VII LTD, TAIWAN BRANCH | |
| 0 PLC ± | CHK | 06-MAY-2005 | NAME | |
| 1 PLC ±0.3 | | W.J. KE | D-SUB 15P V/T, DIP TYPE | |
| 2 PLC ±0.2 | | 06-MAY-2005 | LOC | |
| 3 PLC ± | | 06-MAY-2005 | SIZE | |
| ANGLES ±3° | | | DRAWING NO | |
| MATERIAL | AFVD | W.J. KE | C-1734608 | |
| SEE NOTE | PRODUCT SPEC | 06-MAY-2005 | REV | |
| FINISH | APPLICATION SPEC | | A | |
| SEE NOTE | WEIGHT | | SCALE | |
| | | | SHEET | |
| | | | 2 OF 2 | |

CUSTOMER DRAWING

8 7 6 5 4 3 2 1