



**Distributor of TE Connectivity AMP Connectors: Excellent Integrated System Limited**  
Datasheet of 1734609-1 - Connector Receptacle USB TypeA, Stacked 8 Position Through  
Hole, Right Angle, Horizontal

Contact us: [sales@integrated-circuit.com](mailto:sales@integrated-circuit.com) Website: [www.integrated-circuit.com](http://www.integrated-circuit.com)

---

## **Excellent Integrated System Limited**

Stocking Distributor

Click to view price, real time Inventory, Delivery & Lifecycle Information:

[TE Connectivity AMP Connectors](#)  
[1734609-1](#)

For any questions, you can email us directly:

[sales@integrated-circuit.com](mailto:sales@integrated-circuit.com)

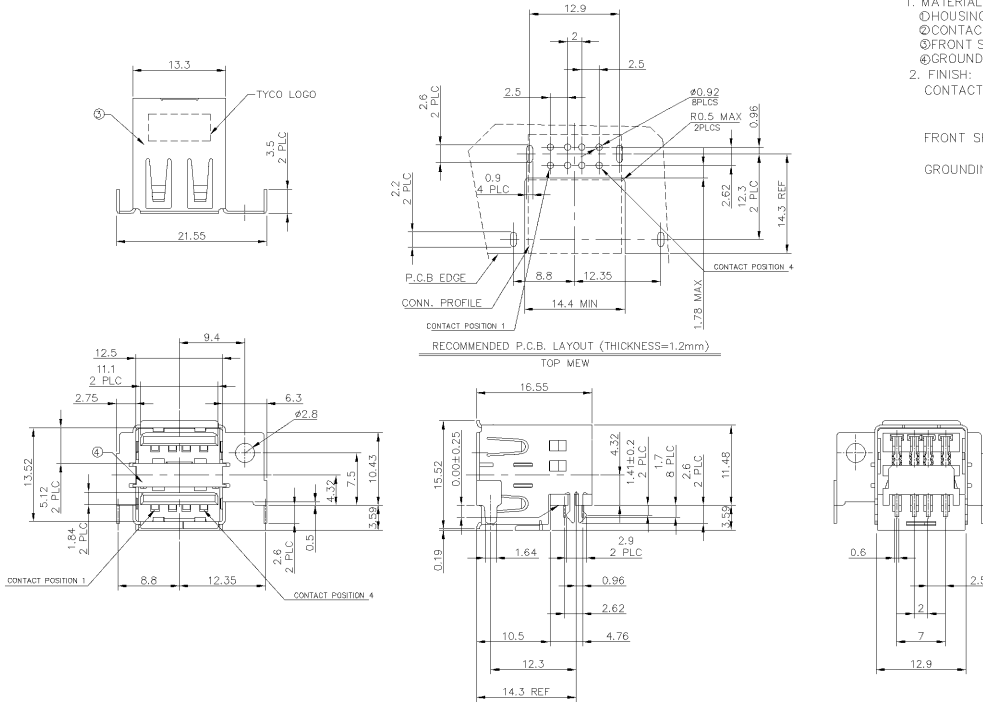
NUMBER C-1734609

3RD ANGLE PROJECTION

METRIC

THIS INFORMATION IS CONFIDENTIAL AND IS DISCLOSED TO YOU IN CONNECTION WITH THE SALE OF THIS PRODUCT. IT IS NOT TO BE REPRODUCED OR TRANSMITTED IN ANY FORM OR BY ANY MEANS, ELECTRONIC OR MECHANICAL, INCLUDING PHOTOCOPYING, RECORDING, OR BY ANY INFORMATION STORAGE AND RETRIEVAL SYSTEM, WITHOUT THE WRITTEN PERMISSION OF EXCELLENT INTEGRATED SYSTEM LIMITED. ALL DIMENSIONS IN MILLIMETERS. DO NOT SCALE PRINT.

PRINT DIST  
 DW



NOTES:  
 1. MATERIAL ;  
 ○HOUSING: LCP, UL94V-0, COLOR: BLACK  
 ⊙CONTACT : PHOSPHOR BRONZE.  
 ⊙FRONT SHIELD : BRASS.  
 ⊙GROUNDING STRIP : BRASS.  
 2. FINISH:  
 CONTACT : 30u"MIN GOLD PLATED IN CONTACT AREA,  
 100u" MIN. TIN (MATTE) PLATED ON SOLDER TAILS,  
 50u" MIN. NICKEL UNDERPLATED ALL OVER.  
 FRONT SHIELD : 50u"~100u" TIN (MATTE) PLATED ON ENTIRE WITH  
 50u" MIN. NICKEL UNDERPLATE OVER ALL.  
 GROUNDING STRIP : 120u"MIN. NICKEL PLATED

1734609-1  
 PART NUMBER

TOLERANCES UNLESS OTHERWISE SPECIFIED	DWN	S. HOU		TYCO HOLDINGS (BERMUDA)
0 PLC ± 0.3	28-MAY-2004	28-MAY-2004		VII LTD. TAIWAN BRANCH
1 PLC ± 0.3	CHK	W.J. KE	NAME	
2 PLC ± 0.3		28-MAY-2004		
3 PLC ± 0.3				
ANGLES = 3°				
MATERIAL	APVD	W.J. KE	USB STACKED 2 PORT, STACKED OFFSET TYPE.	
SEE NOTE	PRODUCT SPEC	28-MAY-2004	IDC	DRAWING NO
	108-57379		Dw	C-1734609
FINISH	APPLICATION SPEC		SCALE	REV O
SEE NOTE	-		--	1 OF 2
	WEIGHT		SHEET	

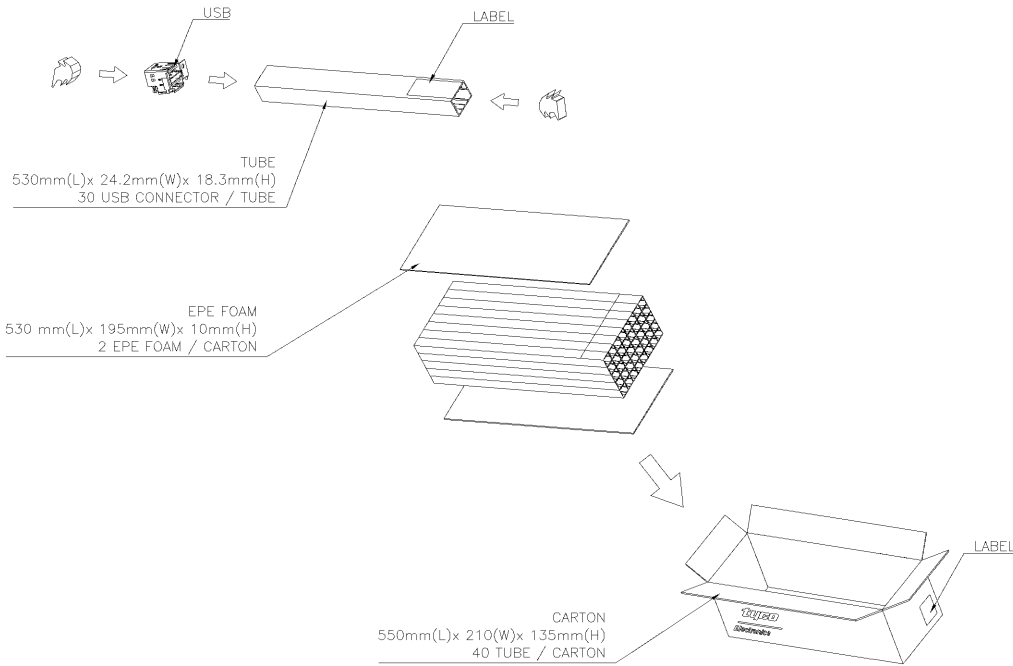
0	FIRST RELEASED	F200-0099-04	SH	28MAY 2004
LTR	REVISION RECORDED	ECN	DWN	DATE

CUSTOMER DRAWING

NUMBER C-1734609

3RD ANGLE PROJECTION

METRIC



- 1. 30PCS/TUBE
- 2. 1,200PCS/CARTON

PRINT DIST  
D/W

THIS INFORMATION IS CONFIDENTIAL AND IS DISCLOSED TO YOU ON CONDITION THAT YOU WILL NOT DISCLOSE IT TO ANY OTHER PERSONNEL WITHOUT THE WRITTEN PERMISSION FROM AMP. ALL DIMENSIONS ARE IN MILLIMETERS. DO NOT SCALE PRINT.

SEE SHEET 1	ECN	DWG / CHK	DATE
LTR	REVISION RECORD		

TOLERANCES UNLESS OTHERWISE SPECIFIED	DWN	S. HOU	 TYCO HOLDINGS (BERMUDA) VII LTD. TAIWAN BRANCH
0 PLC ±		28-MAY-2004	
1 PLC ±	CHK	W. J. KE	NAME
2 PLC ±		28-MAY-2004	
3 PLC ±			
ANGLES ±			
MATERIAL	APVD	W. J. KE	USB STACKED 2 PORT, STACKED OFFSET TYPE.
SEE NOTE		28-MAY-2004	
FINISH	APPLICATION SPEC		IDC [DRAWING NO] REV D/W [SIZE] [A] C-1734609 0
SEE NOTE	WEIGHT		SCALE -- SHEET 2 OF 2

CUSTOMER DRAWING