

Excellent Integrated System Limited

Stocking Distributor

Click to view price, real time Inventory, Delivery & Lifecycle Information:

[TE Connectivity AMP Connectors](#)
[1775824-1](#)

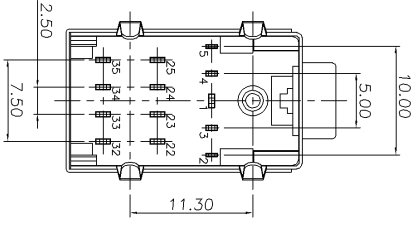
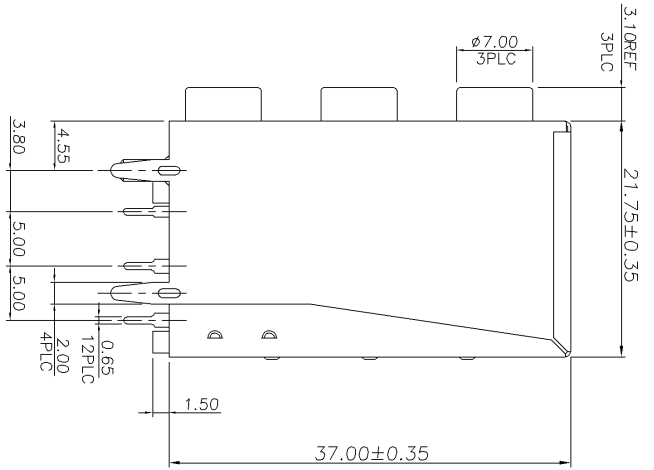
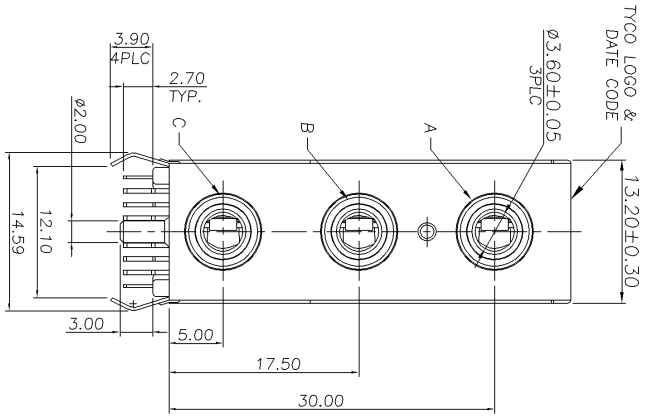
For any questions, you can email us directly:

sales@integrated-circuit.com

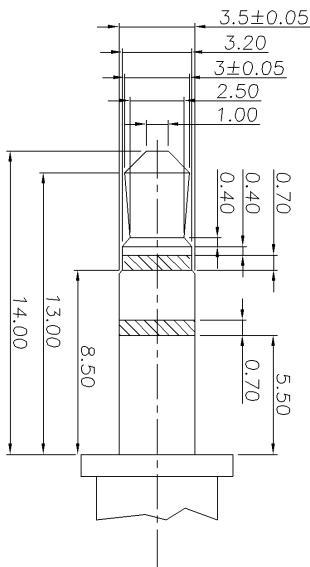
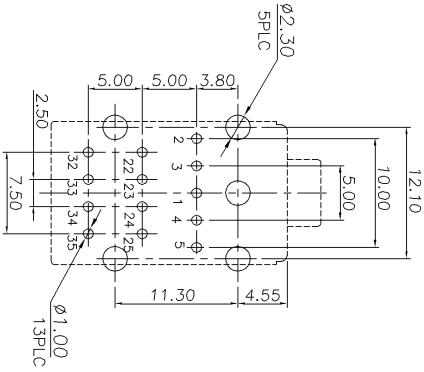


PRINT DW	DIST	THIS INFORMATION IS CONFIDENTIAL AND IS DISCLOSED TO YOU ON CONDITION THAT NO FURTHER DISCLOSURE IS MADE BY YOU TO OTHER THAN AMP PERSONNEL WITHOUT WRITTEN AUTHORIZATION FROM AMP (TAIWAN) LTD. DIMENSIONS IN MILLIMETERS. DO NOT SCALE PRINT.	METRIC	3RD ANGLE PROJECTION	NUMBER C-1775824
-------------	------	---	--------	----------------------	---------------------

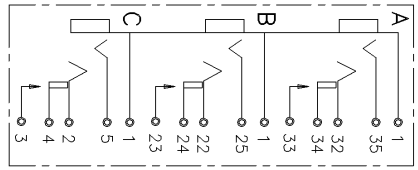
8 7 6 5 4 3 2 1
 CUSTOMER DRAWING



RECOMMENDED PCB LAYOUT
 (TOLERANCE: ±0.05mm)



RECOMMENDED PLUG DRAWING
 SCALE: 2:1



- NOTES:
- MATERIAL:
 - HOUSING, COVER&SPACER: THERMOPLASTIC ,UL94V-0; COLOR:BLACK.
 - JACK BARREL: THERMOPLASTIC,UL94V-0;COLOR:SEE TABLE
 - TZ T5&SPRING:PHOSPHOR BRONZE.
 - SHELL:BRASS.
 - GROUND:BRASS.
 - TERMINAL:BRASS.
 - SPRING RING:PHOSPHOR BRONZE
 - FINISH:
 - TZ:T5:GOLD FLASH ON CONTACT AREA.
 - 50~150µ" BRIGHT TIN PLATED ON SOLDER TAIL AREA.
 - 50µ"MIN. NICKEL UNDERPLATED OVERALL.
 - 50µ"MIN. GOLD ON CONTACT AREA.
 - 50µ"MIN. NICKEL UNDERPLATED OVERALL.
 - 30~80µ"NICKEL UNDER PLATING OVERALL.
 - 50µ~80µ"MIN. BRIGHT TIN PLATING OVERALL.
 - 50µ~80µ" NICKEL UNDER PLATING OVERALL.
 - OTHER:30~80µ" BRIGHT TIN PLATED ALL OVER, 80µ"NICKEL UNDER PLATING OVERALL.
 - RECOMMENDED PCB THICKNESS : 1.60mm
 - WAVE SOLDER CAPABLE TO 265°C
 - PER TYCO SPEC. 109-202, CONDITION B.

REVISED	ECR-06-009162	SH	20APR 2006
FIRST RELEASED	FZ00-0332-04	SH	20DEC 2004
REVISION RECORD	ECN	DW	CHK
LTR	DATE		

FINISH	SEE NOTE	20APR 2006
SEE NOTE		20DEC 2004
ECN		
DW	CHK	
DATE		
TOLERANCES UNLESS OTHERWISE SPECIFIED:		
0 PLG ±0.3		
1 PLG ±0.2		
2 PLG ±0.2		
3 PLG ±0.2		
ANGLES ± 5°		
MATERIAL	SEE NOTE	
APVD	W. J. KE	20-APR-2006
PRODUCT SPEC	108-57377	
QUALIFICATION TEST REPORT	501-57409	
WEIGHT	19 GRAM	
FINISH	SEE NOTE	
SEE NOTE		
ECN		
DW	CHK	
DATE		
TOLERANCES UNLESS OTHERWISE SPECIFIED:		
0 PLG ±0.3		
1 PLG ±0.2		
2 PLG ±0.2		
3 PLG ±0.2		
ANGLES ± 5°		
MATERIAL	SEE NOTE	
APVD	W. J. KE	20-APR-2006
PRODUCT SPEC	108-57377	
QUALIFICATION TEST REPORT	501-57409	
WEIGHT	19 GRAM	
FINISH	SEE NOTE	
SEE NOTE		
ECN		
DW	CHK	
DATE		
TOLERANCES UNLESS OTHERWISE SPECIFIED:		
0 PLG ±0.3		
1 PLG ±0.2		
2 PLG ±0.2		
3 PLG ±0.2		
ANGLES ± 5°		
MATERIAL	SEE NOTE	
APVD	W. J. KE	20-APR-2006
PRODUCT SPEC	108-57377	
QUALIFICATION TEST REPORT	501-57409	
WEIGHT	19 GRAM	
FINISH	SEE NOTE	
SEE NOTE		
ECN		
DW	CHK	
DATE		
TOLERANCES UNLESS OTHERWISE SPECIFIED:		
0 PLG ±0.3		
1 PLG ±0.2		
2 PLG ±0.2		
3 PLG ±0.2		
ANGLES ± 5°		
MATERIAL	SEE NOTE	
APVD	W. J. KE	20-APR-2006
PRODUCT SPEC	108-57377	
QUALIFICATION TEST REPORT	501-57409	
WEIGHT	19 GRAM	
FINISH	SEE NOTE	
SEE NOTE		
ECN		
DW	CHK	
DATE		
TOLERANCES UNLESS OTHERWISE SPECIFIED:		
0 PLG ±0.3		
1 PLG ±0.2		
2 PLG ±0.2		
3 PLG ±0.2		
ANGLES ± 5°		
MATERIAL	SEE NOTE	
APVD	W. J. KE	20-APR-2006
PRODUCT SPEC	108-57377	
QUALIFICATION TEST REPORT	501-57409	
WEIGHT	19 GRAM	
FINISH	SEE NOTE	
SEE NOTE		
ECN		
DW	CHK	
DATE		
TOLERANCES UNLESS OTHERWISE SPECIFIED:		
0 PLG ±0.3		
1 PLG ±0.2		
2 PLG ±0.2		
3 PLG ±0.2		
ANGLES ± 5°		
MATERIAL	SEE NOTE	
APVD	W. J. KE	20-APR-2006
PRODUCT SPEC	108-57377	
QUALIFICATION TEST REPORT	501-57409	
WEIGHT	19 GRAM	
FINISH	SEE NOTE	
SEE NOTE		
ECN		
DW	CHK	
DATE		
TOLERANCES UNLESS OTHERWISE SPECIFIED:		
0 PLG ±0.3		
1 PLG ±0.2		
2 PLG ±0.2		
3 PLG ±0.2		
ANGLES ± 5°		
MATERIAL	SEE NOTE	
APVD	W. J. KE	20-APR-2006
PRODUCT SPEC	108-57377	
QUALIFICATION TEST REPORT	501-57409	
WEIGHT	19 GRAM	
FINISH	SEE NOTE	
SEE NOTE		
ECN		
DW	CHK	
DATE		
TOLERANCES UNLESS OTHERWISE SPECIFIED:		
0 PLG ±0.3		
1 PLG ±0.2		
2 PLG ±0.2		
3 PLG ±0.2		
ANGLES ± 5°		
MATERIAL	SEE NOTE	
APVD	W. J. KE	20-APR-2006
PRODUCT SPEC	108-57377	
QUALIFICATION TEST REPORT	501-57409	
WEIGHT	19 GRAM	
FINISH	SEE NOTE	
SEE NOTE		
ECN		
DW	CHK	
DATE		
TOLERANCES UNLESS OTHERWISE SPECIFIED:		
0 PLG ±0.3		
1 PLG ±0.2		
2 PLG ±0.2		
3 PLG ±0.2		
ANGLES ± 5°		
MATERIAL	SEE NOTE	
APVD	W. J. KE	20-APR-2006
PRODUCT SPEC	108-57377	
QUALIFICATION TEST REPORT	501-57409	
WEIGHT	19 GRAM	
FINISH	SEE NOTE	
SEE NOTE		
ECN		
DW	CHK	
DATE		
TOLERANCES UNLESS OTHERWISE SPECIFIED:		
0 PLG ±0.3		
1 PLG ±0.2		
2 PLG ±0.2		
3 PLG ±0.2		
ANGLES ± 5°		
MATERIAL	SEE NOTE	
APVD	W. J. KE	20-APR-2006
PRODUCT SPEC	108-57377	
QUALIFICATION TEST REPORT	501-57409	
WEIGHT	19 GRAM	
FINISH	SEE NOTE	
SEE NOTE		
ECN		
DW	CHK	
DATE		
TOLERANCES UNLESS OTHERWISE SPECIFIED:		
0 PLG ±0.3		
1 PLG ±0.2		
2 PLG ±0.2		
3 PLG ±0.2		
ANGLES ± 5°		
MATERIAL	SEE NOTE	
APVD	W. J. KE	20-APR-2006
PRODUCT SPEC	108-57377	
QUALIFICATION TEST REPORT	501-57409	
WEIGHT	19 GRAM	
FINISH	SEE NOTE	
SEE NOTE		
ECN		
DW	CHK	
DATE		
TOLERANCES UNLESS OTHERWISE SPECIFIED:		
0 PLG ±0.3		
1 PLG ±0.2		
2 PLG ±0.2		
3 PLG ±0.2		
ANGLES ± 5°		
MATERIAL	SEE NOTE	
APVD	W. J. KE	20-APR-2006
PRODUCT SPEC	108-57377	
QUALIFICATION TEST REPORT	501-57409	
WEIGHT	19 GRAM	
FINISH	SEE NOTE	
SEE NOTE		
ECN		
DW	CHK	
DATE		
TOLERANCES UNLESS OTHERWISE SPECIFIED:		
0 PLG ±0.3		
1 PLG ±0.2		
2 PLG ±0.2		
3 PLG ±0.2		
ANGLES ± 5°		
MATERIAL	SEE NOTE	
APVD	W. J. KE	20-APR-2006
PRODUCT SPEC	108-57377	
QUALIFICATION TEST REPORT	501-57409	
WEIGHT	19 GRAM	
FINISH	SEE NOTE	
SEE NOTE		
ECN		
DW	CHK	
DATE		
TOLERANCES UNLESS OTHERWISE SPECIFIED:		
0 PLG ±0.3		
1 PLG ±0.2		
2 PLG ±0.2		
3 PLG ±0.2		
ANGLES ± 5°		
MATERIAL	SEE NOTE	
APVD	W. J. KE	20-APR-2006
PRODUCT SPEC	108-57377	
QUALIFICATION TEST REPORT	501-57409	
WEIGHT	19 GRAM	
FINISH	SEE NOTE	
SEE NOTE		
ECN		
DW	CHK	
DATE		
TOLERANCES UNLESS OTHERWISE SPECIFIED:		
0 PLG ±0.3		
1 PLG ±0.2		
2 PLG ±0.2		
3 PLG ±0.2		
ANGLES ± 5°		
MATERIAL	SEE NOTE	
APVD	W. J. KE	20-APR-2006
PRODUCT SPEC	108-57377	
QUALIFICATION TEST REPORT	501-57409	
WEIGHT	19 GRAM	
FINISH	SEE NOTE	
SEE NOTE		
ECN		
DW	CHK	
DATE		
TOLERANCES UNLESS OTHERWISE SPECIFIED:		
0 PLG ±0.3		
1 PLG ±0.2		
2 PLG ±0.2		
3 PLG ±0.2		
ANGLES ± 5°		
MATERIAL	SEE NOTE	
APVD	W. J. KE	20-APR-2006
PRODUCT SPEC	108-57377	
QUALIFICATION TEST REPORT	501-57409	
WEIGHT	19 GRAM	
FINISH	SEE NOTE	
SEE NOTE		
ECN		
DW	CHK	
DATE		
TOLERANCES UNLESS OTHERWISE SPECIFIED:		
0 PLG ±0.3		
1 PLG ±0.2		
2 PLG ±0.2		
3 PLG ±0.2		
ANGLES ± 5°		
MATERIAL	SEE NOTE	
APVD	W. J. KE	20-APR-2006
PRODUCT SPEC	108-57377	
QUALIFICATION TEST REPORT	501-57409	
WEIGHT	19 GRAM	
FINISH	SEE NOTE	
SEE NOTE		
ECN		
DW	CHK	
DATE		
TOLERANCES UNLESS OTHERWISE SPECIFIED:		
0 PLG ±0.3		
1 PLG ±0.2		
2 PLG ±0.2		
3 PLG ±0.2		
ANGLES ± 5°		
MATERIAL	SEE NOTE	
APVD	W. J. KE	20-APR-2006
PRODUCT SPEC	108-57377	
QUALIFICATION TEST REPORT	501-57409	
WEIGHT	19 GRAM	
FINISH	SEE NOTE	
SEE NOTE		
ECN		
DW	CHK	
DATE		
TOLERANCES UNLESS OTHERWISE SPECIFIED:		
0 PLG ±0.3		
1 PLG ±0.2		
2 PLG ±0.2		
3 PLG ±0.2		
ANGLES ± 5°		
MATERIAL	SEE NOTE	
APVD	W. J. KE	20-APR-2006
PRODUCT SPEC	108-57377	
QUALIFICATION TEST REPORT	501-57409	
WEIGHT	19 GRAM	
FINISH	SEE NOTE	
SEE NOTE		
ECN		
DW	CHK	
DATE		
TOLERANCES UNLESS OTHERWISE SPECIFIED:		
0 PLG ±0.3		
1 PLG ±0.2		
2 PLG ±0.2		
3 PLG ±0.2		
ANGLES ± 5°		
MATERIAL	SEE NOTE	
APVD	W. J. KE	20-APR-2006
PRODUCT SPEC	108-57377	
QUALIFICATION TEST REPORT	501-57409	
WEIGHT	19 GRAM	
FINISH	SEE NOTE	
SEE NOTE		
ECN		
DW	CHK	
DATE		
TOLERANCES UNLESS OTHERWISE SPECIFIED:		
0 PLG ±0.3		
1 PLG ±0.2		
2 PLG ±0.2		
3 PLG ±0.2		
ANGLES ± 5°		
MATERIAL	SEE NOTE	
APVD	W. J. KE	20-APR-2006
PRODUCT SPEC	108-57377	
QUALIFICATION TEST REPORT	501-57409	
WEIGHT	19 GRAM	
FINISH	SEE NOTE	
SEE NOTE		
ECN		
DW	CHK	
DATE		
TOLERANCES UNLESS OTHERWISE SPECIFIED:		
0 PLG ±0.3		
1 PLG ±0.2		
2 PLG ±0.2		
3 PLG ±0.2		
ANGLES ± 5°		
MATERIAL	SEE NOTE	

PRINT DIST THIS INFORMATION IS CONFIDENTIAL AND IS DISCLOSED TO YOU ON CONDITION THAT NO FURTHER DISCLOSURE IS MADE BY YOU TO OTHER THAN AMP PERSONNEL WITHOUT WRITTEN AUTHORIZATION FROM AMP (TAIWAN) LTD. DIMENSIONS IN MILLIMETERS. DO NOT SCALE PRINT.

METRIC



NUMBER
C-1775824

8

7

6

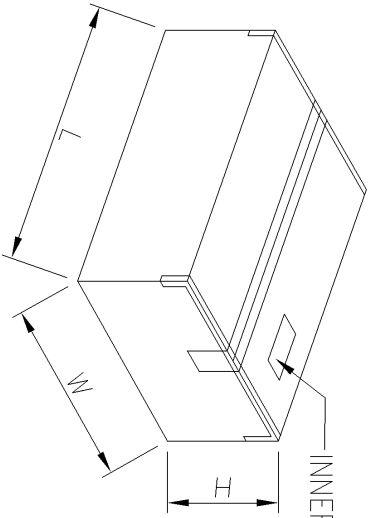
5

4

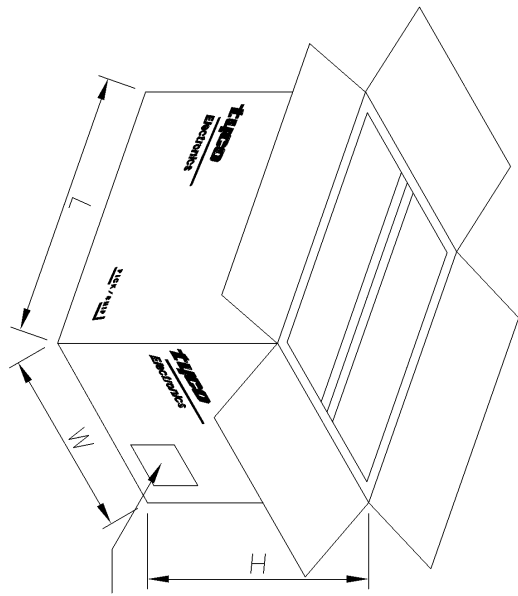
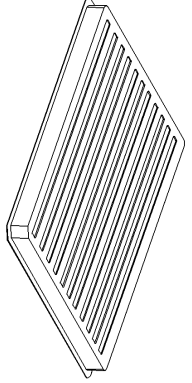
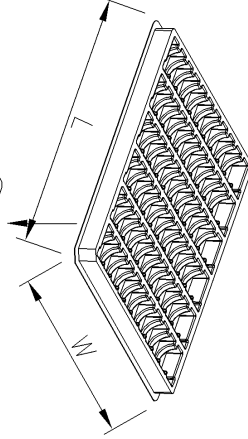
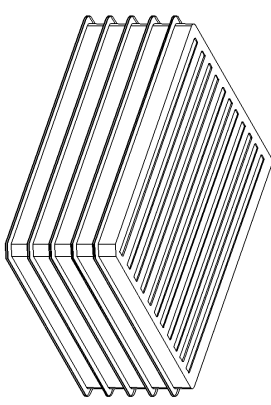
3

2

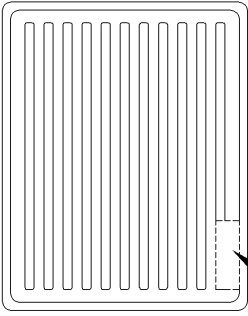
1



INNER LABEL



CARTON LABEL



TRAY LAYOUT

TRAY LABEL

- NOTES :
1. MATERIAL :
 - 1.1 TRAY: PS WHITE
 - 1.2 INNER CARTON: CORRUGATED FIBERBOARD
 - 1.3 SHIPPING CARTON: CORRUGATED FIBERBOARD
 2. DIMENSION:
 - 2.1 TRAY: L=345mm, W=280mm, H=26mm
 - 2.2 INNER CARTON: L=350mm, W=285mm, H=156mm
 - 2.3 SHIPPING CARTON: L=565mm, W=300mm, H=353mm
 3. QUANTITY:
 - 3.1 PRIMARY PACKING: 66 PCS/TRAY
 - 3.2 SECONDARY PACKING: 5 TRAYS/INNER CARTON(330PCS)
 - 3.3 SECONDARY PACKING: 2 INNERS/CARTON(660PCS)
 4. WEIGHT:
 - 4.1 NET WEIGHT: 12.5Kg
 - 4.2 GROSS WEIGHT: 14.5Kg

LTR	SEE SHEET 1	EON	DWY	CHK	DATE
	REVISION RECORD				

FINISH		SEE NOTE	
TOLERANCES UNLESS OTHERWISE SPECIFIED:			
9 PLG ±	0.15	DWN	S. HOU
2 PLG ±	0.15	CHK	20-APR-2006
3 PLG ±	0.15		W. J. KE
ANGLES ±	0.15	APVD	20-APR-2006
			W. J. KE
MATERIAL		20-APR-2006	
SEE NOTE			
QUALIFICATION TEST REPORT		LOC SIZE DRAWING NO	
		DW A3 C-1775824	
WEIGHT		SCALE	
		--	
SHEET		2 OF 2	
CUSTOMER DRAWING			

tyco
 Electronics
 TYCO HOLDINGS (BERMU)
 VII LTD. TAIWAN BRANCH

AUDIO JACK
 TRIPLE STACKED
 DIP TYPE