



Excellent Integrated System Limited

Stocking Distributor

Click to view price, real time Inventory, Delivery & Lifecycle Information:

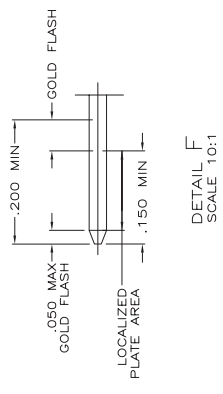
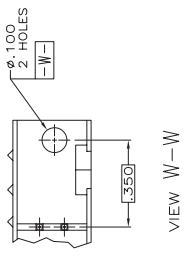
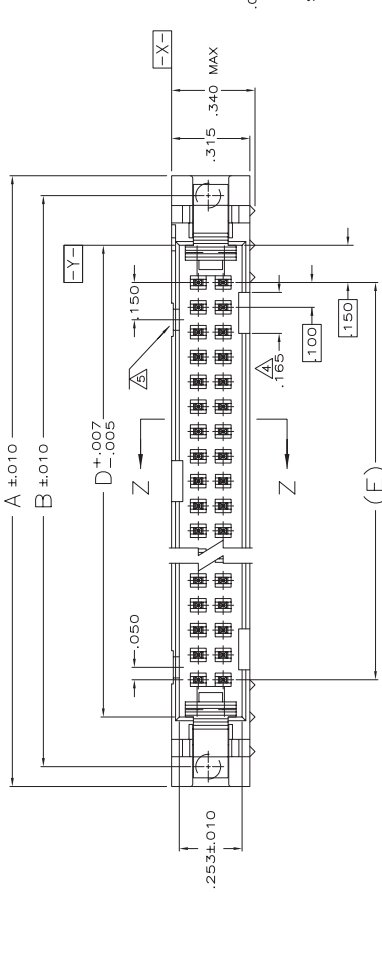
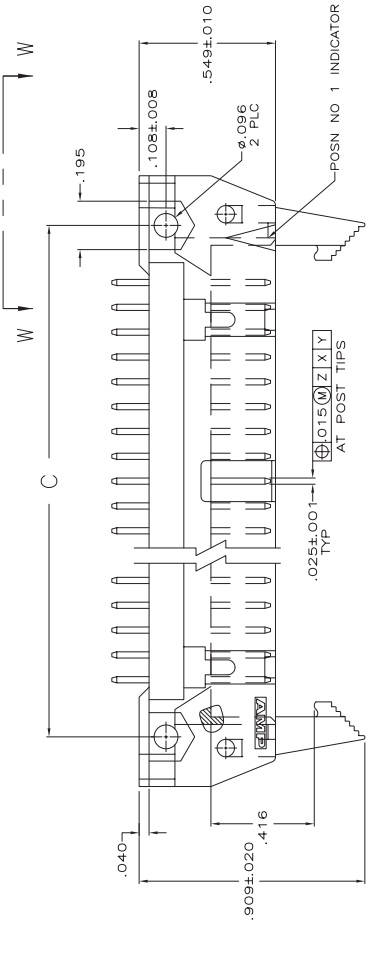
[TE Connectivity AMP Connectors](#)
[1-5111375-0](#)

For any questions, you can email us directly:

sales@integrated-circuit.com

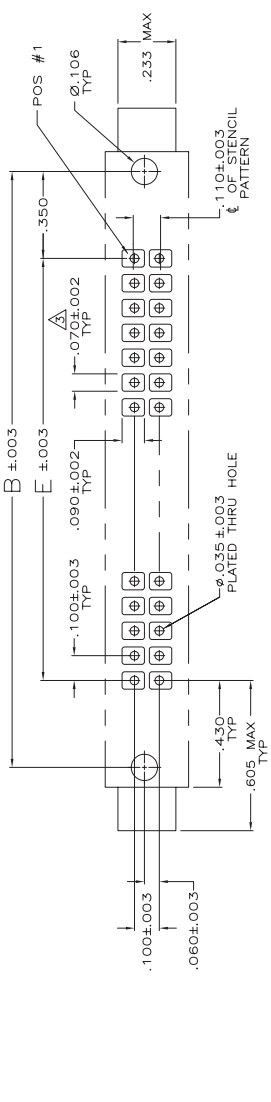
REV	DATE	BY	CHK	APP
GP 00				
B				

- ⚠ MOLDED PARTS: FLAME RETARDANT PCT, UL94 V-0 RATED, COLOR RED.
- ⚠ POSTS: BRASS OR PHOSPHOR BRONZE.
- ⚠ POSTS: GOLD FLASH OVER PALLADIUM-NICKEL PLATE, .000030 MIN TOTAL ON THE LOCALIZED PLATE AREA, .000100 MIN TIN PLATE ON THE SOLDER-TAIL, .000050 MIN NICKEL UNDERPLATE ON THE ENTIRE POST.
- ⚠ .00030 MIN GOLD PLATE ON THE LOCALIZED PLATE AREA, .000100 MIN TIN PLATE ON THE SOLDER-TAIL, .000050 MIN NICKEL UNDERPLATE ON THE ENTIRE POST.
- ⚠ RECOMMENDED STENCIL THICKNESS EQUALS .010
- ⚠ FOR 10 POS-HEADER ONLY, ONE SLOT LOCATED AS SHOWN.
- ⚠ NO SNAP-IN POLARIZING FEATURE ON THIS END FOR 10 POS HEADERS.



DETAIL F
SCALE: 10:1

SECTION Z-Z



RECOMMENDED
P C BOARD MOUNTING DIMENSIONS

POSN	A	B	C	D	E	NO OF POSN	PART NUMBER
50	3.260	3.100	3.260	50	1-5111375-0		
40	2.760	2.600	2.760	40	5111375-9		
34	2.300	2.300	2.460	34	5111375-8		
26	1.900	1.900	2.060	26	5111375-6		
10	1.260	1.100	1.260	10	5111375-1		

THIS DRAWING IS A CONTROLLED DOCUMENT.		Type Electronics Corporation Harrisburg, PA 17105-3608	
DATE	REV	BY	CHK
01/15/08	01/15/08	W. WALKER	01/15/08
UNLESS SHOWN OTHERWISE		TOLERANCES UNLESS SHOWN	
FINISH	PLATING	PERFORMANCE	INSULATION
AS BUILT	AS BUILT	AS BUILT	AS BUILT
DRAWN BY: W. WALKER		CHECKED BY: W. WALKER	
PART: 1-5111375-0		REV: 1.0	
CUSTOMER DRAWING		PART #1	